

## 5. Steering Gearbox S601545

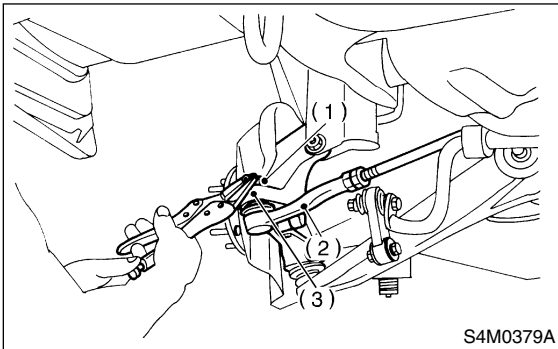
### A: REMOVAL S601545A18

- 1) Disconnect battery ground cable.
  - 2) Loosen front wheel nut.
  - 3) Lift vehicle and remove front wheels.
  - 4) Remove front exhaust pipe assembly.
- 2.5 l model  
<Ref. to EX-5, REMOVAL, Front Exhaust Pipe.>  
3.0 l model  
<Ref. to EX(H6)-5, REMOVAL, Front Exhaust Pipe.>

**WARNING:**

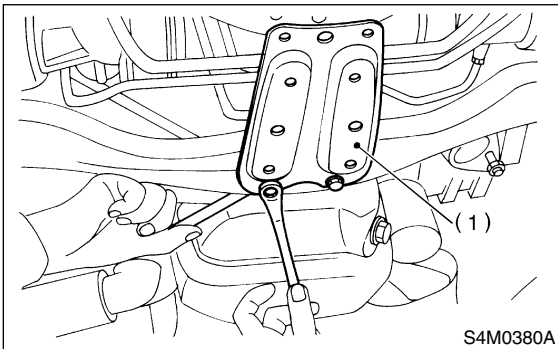
**Be careful, exhaust pipe is hot.**

- 5) Using a puller, remove tie-rod end from knuckle arm after pulling off cotter pin and removing castle nut.



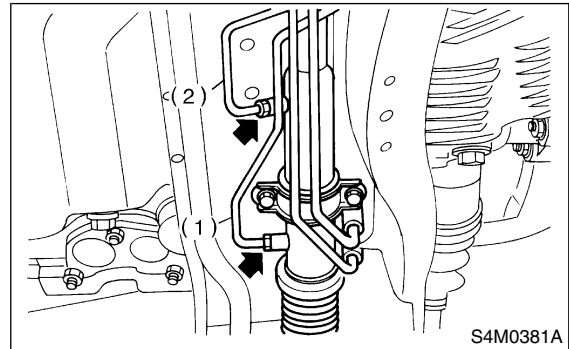
- (1) Castle nut
- (2) Tie-rod end
- (3) Knuckle arm

- 6) Remove jack-up plate and front stabilizer. <Ref. to FS-21, REMOVAL, Front Stabilizer.>



- (1) Jack-up plate

- 7) Remove one pipe joint at the center of gearbox, and connect vinyl hose to pipe and joint. Discharge fluid by turning steering wheel fully clockwise and counterclockwise. Discharge fluid similarly from the other pipe.



- (1) Pipe A
- (2) Pipe B

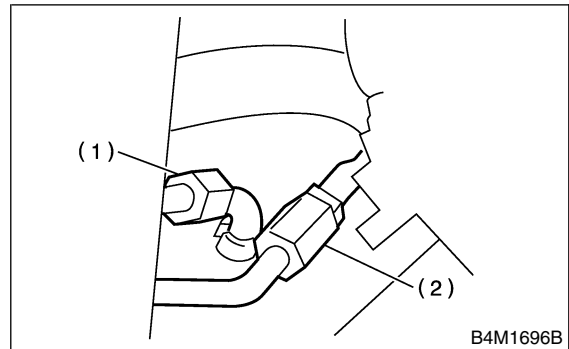
- 8) Remove universal joint. <Ref. to PS-18, REMOVAL, Universal Joint.>
- 9) Disconnect pipes C and D from pipe of gearbox.

**CAUTION:**

**Be careful not to damage these pipes.**

**NOTE:**

Disconnect upper pipe D first, and lower pipe C second.

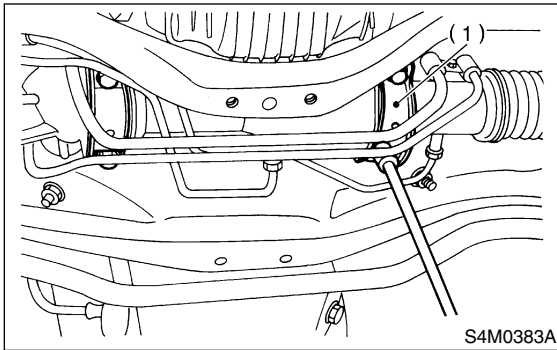


- (1) Pipe C
- (2) Pipe D

- 10) Remove clamp bolts securing gearbox to crossmember, and remove gearbox.

# STEERING GEARBOX

## Power Assisted System (Power Steering)



(1) Clamp

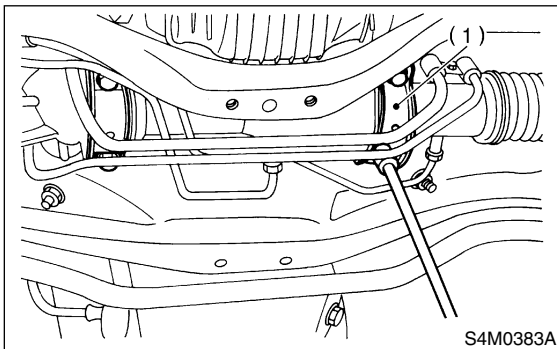
### B: INSTALLATION

S601545A11

- 1) Insert gearbox into crossmember, being careful not to damage gearbox boot.
- 2) Tighten gearbox to crossmember bracket via clamp with bolt to the specified torque.

#### Tightening torque:

**59 N-m (6.0 kgf-m, 43 ft-lb)**



(1) Clamp

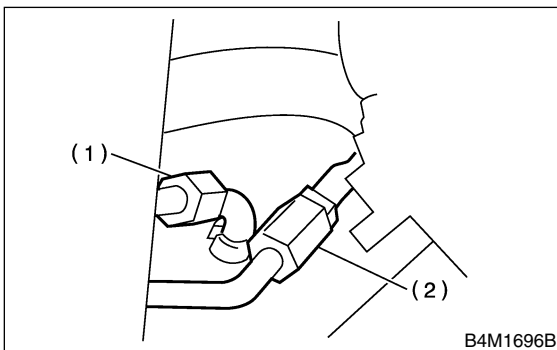
- 3) Connect pipes C and D to pipe of gearbox.

#### NOTE:

Connect lower pipe C first, and upper pipe D second.

#### CAUTION:

**Be careful not to damage these pipes.**



(1) Pipe C  
(2) Pipe D

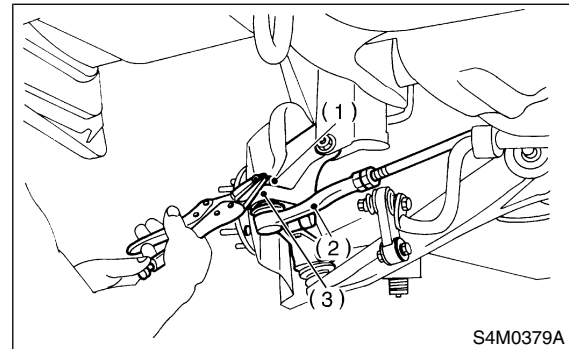
- 4) Install universal joint. <Ref. to PS-18, INSTALLATION, Universal Joint.>
- 5) Connect tie-rod end and knuckle arm, and tighten with castle nut. Fit cotter pin into the nut and bend the pin to lock.

#### Castle nut tightening torque:

**Tighten to 27.0 N-m (2.75 kgf-m, 19.9 ft-lb), and tighten further within 60° until cotter pin hole is aligned with a slot in the nut.**

#### CAUTION:

**When connecting, do not hit cap at the bottom of tie-rod end with hammer.**



(1) Castle nut  
(2) Tie-rod end  
(3) Knuckle arm

- 6) Install front stabilizer to vehicle. <Ref. to FS-21, INSTALLATION, Front Stabilizer.>
- 7) Install front exhaust pipe assembly.  
2.5 l model  
<Ref. to EX-6, INSTALLATION, Front Exhaust Pipe.>  
3.0 l model  
<Ref. to EX(H6)-6, INSTALLATION, Front Exhaust Pipe.>
- 8) Install tires.
- 9) Tighten wheel nuts to the specified torque.

#### Tightening torque:

**88 N-m (9.0 kgf-m, 65 ft-lb)**

- 10) Connect battery ground cable.
- 11) Pour fluid into oil tank, and bleed air. <Ref. to PS-62, Power Steering Fluid.>
- 12) Check for fluid leaks. <Ref. to PS-41, OIL LEAKING, INSPECTION, Steering Gearbox.>
- 13) Install jack-up plate.

#### WARNING:

**Be careful, exhaust manifold is hot.**

- 14) Lower vehicle.
- 15) Check fluid level in oil tank.

# STEERING GEARBOX

Power Assisted System (Power Steering)

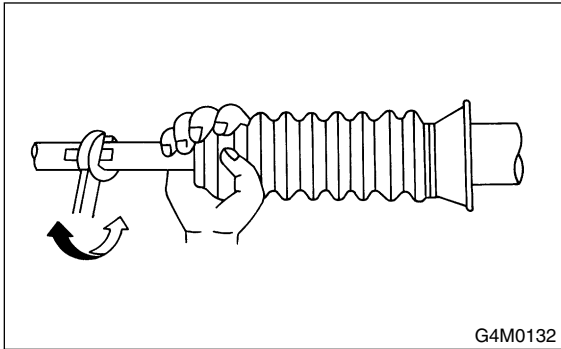
16) After adjusting toe-in and steering angle, tighten lock nut on tie-rod end.

### Tightening torque:

**83 N·m (8.5 kgf·m, 61.5 ft·lb)**

### CAUTION:

When adjusting toe-in, hold boot as shown to prevent it from being rotated or twisted. If twisted, straighten it.



## C: DISASSEMBLY

S601545A06

### 1. RACK HOUSING ASSEMBLY

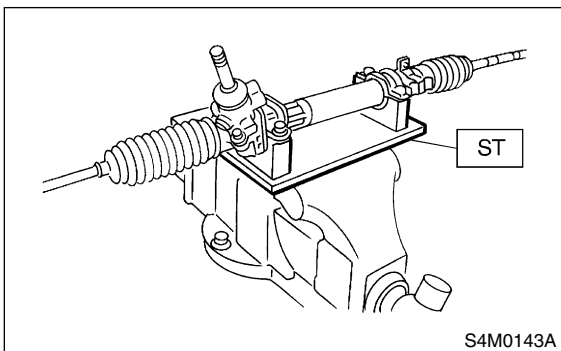
S601545A0601

- 1) Disconnect four pipes from gearbox.
- 2) Secure gearbox removed from vehicle in vise using ST.

ST 926200000 STAND

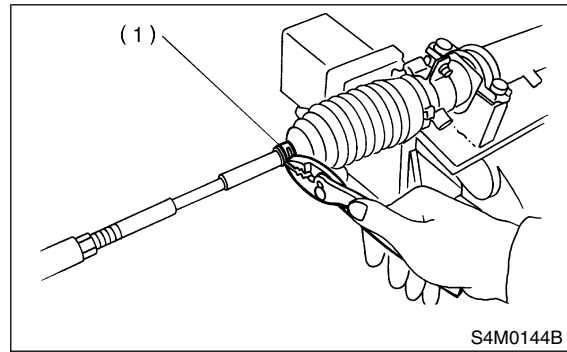
### CAUTION:

Secure the gearbox in a vise using the ST as shown. Do not attempt to secure it without this ST.



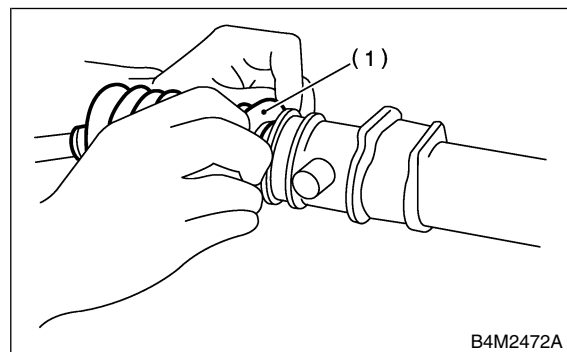
- 3) Remove tie-rod end and lock nut from gearbox.

- 4) Remove small clip from boot using pliers, and move boot to tie-rod end side.



- (1) Clip

- 5) Remove boot with large clips.

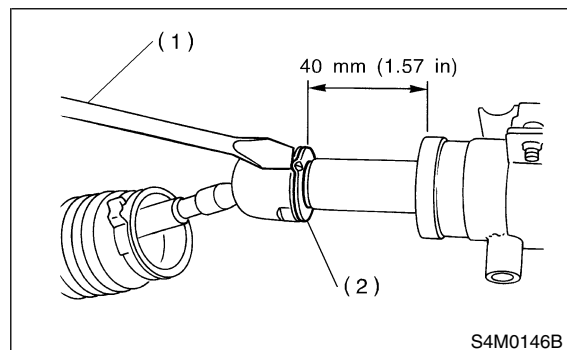


- (1) Boot

- 6) Extend rack approximately 40 mm (1.57 in) out. Unlock lock wire at lock washer on each side of tie-rod end using a standard screwdriver.

### CAUTION:

Be careful not to scratch rack surface as oil leaks may result.

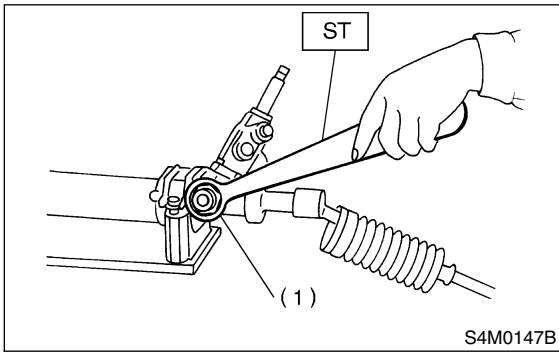


- (1) Standard screwdriver  
(2) Lock washer

# STEERING GEARBOX

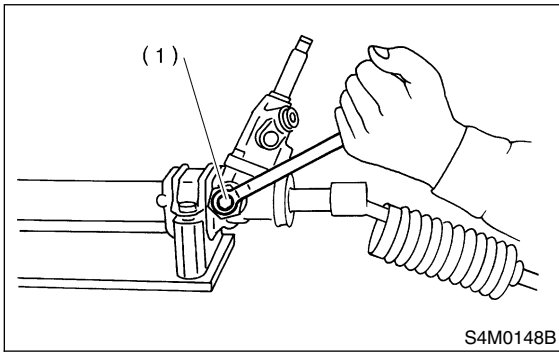
Power Assisted System (Power Steering)

7) Using ST, loosen lock nut.  
ST 926230000 SPANNER



(1) Lock nut

8) Tighten adjusting screw until it no longer tightens.

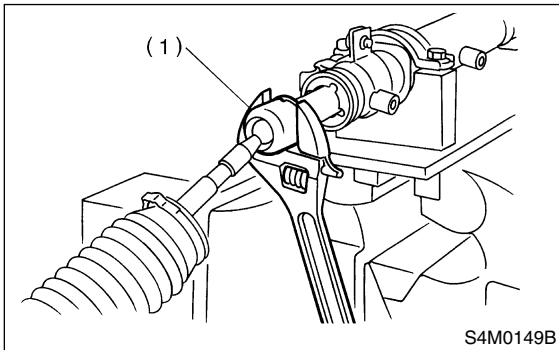


(1) Adjusting screw

9) Using a wrench [32 mm (1.26 in) width across flats] or adjustable wrench, remove tie-rod.

**CAUTION:**

- Check ball joint for free play, and tie-rod for bends. Replace if necessary.
- Check dust seals used with tie-rod end ball joint for damage or deterioration. Replace if necessary.

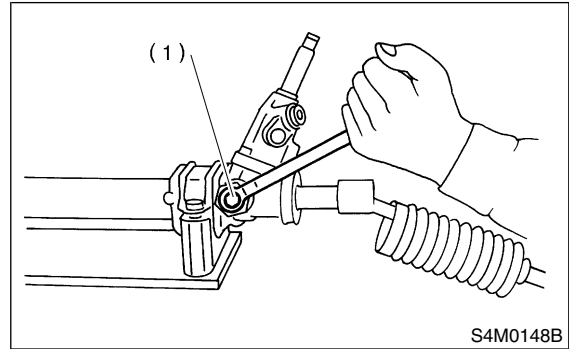


(1) Tie-rod

10) Loosen adjusting screw and remove spring and sleeve.

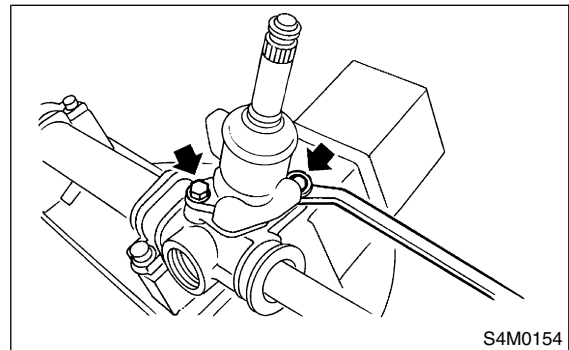
**CAUTION:**

Replace spring and/or sleeve if damaged.

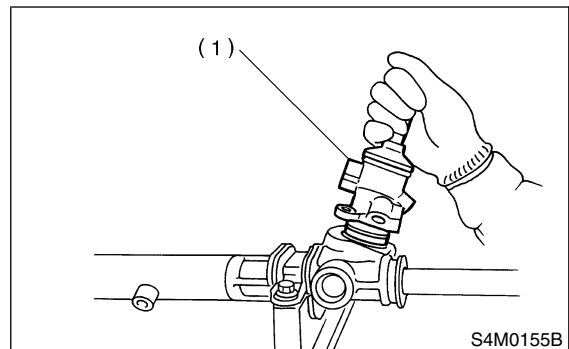


(1) Adjusting screw

11) Remove two bolts securing valve assembly.



12) Carefully draw out input shaft and remove valve assembly.

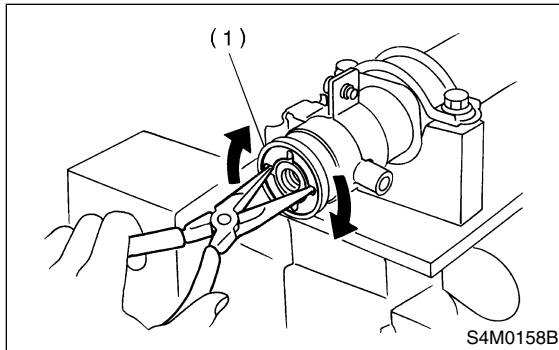


(1) Valve ASSY

# STEERING GEARBOX

Power Assisted System (Power Steering)

13) Using a sharp pointed pliers, rotate the rack stopper in the direction of the arrow until the end of the circlip comes out of the stopper. Rotate the circlip in the opposite direction and pull it out.

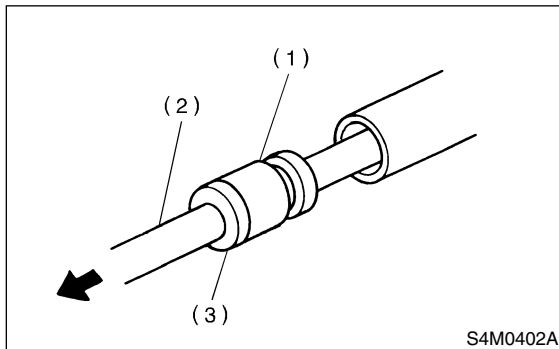


(1) Rack stopper

14) Pull rack assembly from cylinder side, and draw out rack bushing and rack stopper together with rack assembly.

### CAUTION:

Be careful not to contact rack to inner wall of cylinder when drawing out. Any scratch on cylinder inner wall will cause oil leakage.



- (1) Rack bushing
- (2) Rack ASSY
- (3) Rack stopper

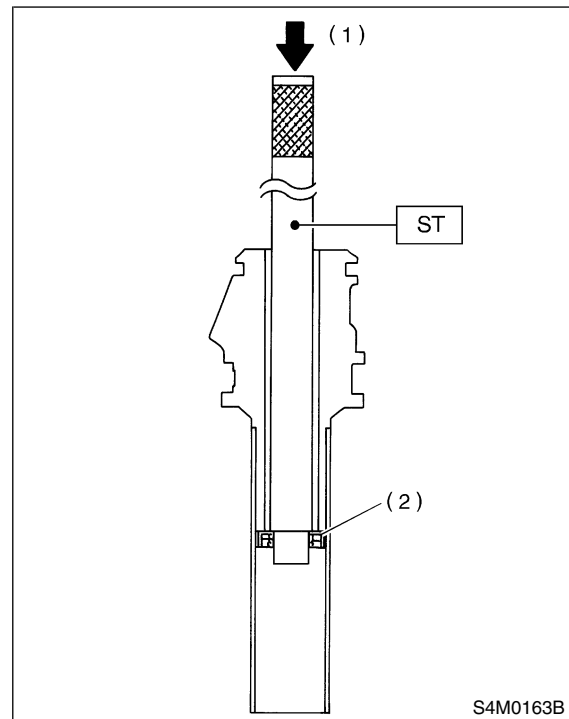
15) Remove rack bushing and rack stopper from rack assembly.

### CAUTION:

Do not reuse removed rack bushing and circlip.

16) Insert ST from pinion housing side and remove oil seal using a press.

ST 34199AE050 OIL SEAL REMOVER



- (1) Press
- (2) Oil seal

### NOTE:

Discard removed oil seal.

## 2. CONTROL VALVE ASSEMBLY S601545A0602

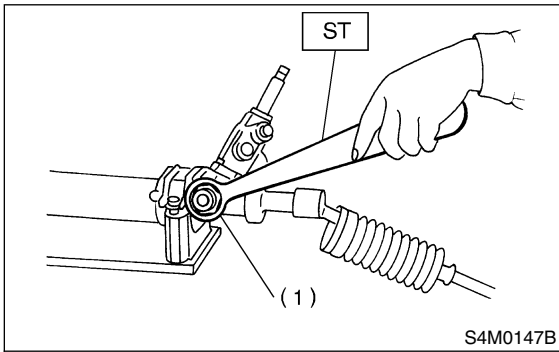
### NOTE:

Parts requiring replacement are described in the smallest unit of spare parts including damaged parts and spare parts damaged. In actual disassembly work, accidental damage as well as inevitable damage to some related parts must be taken into account, and spare parts for them must also be prepared. However, it is essential to pinpoint the cause of trouble, and limit the number of replacement parts as much as possible.

# STEERING GEARBOX

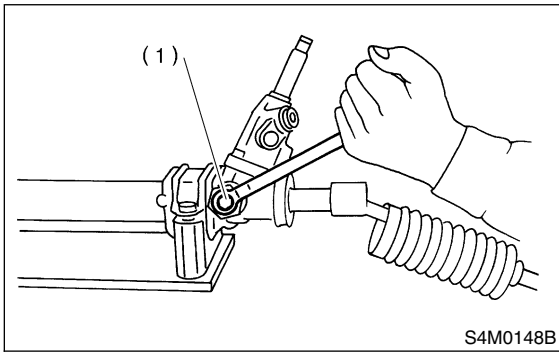
## Power Assisted System (Power Steering)

- 1) Using ST, loosen lock nut.  
ST 926230000 SPANNER



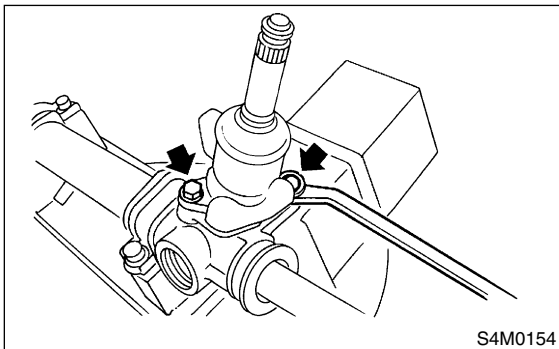
(1) Lock nut

- 2) Tighten adjusting screw until it no longer tightens.



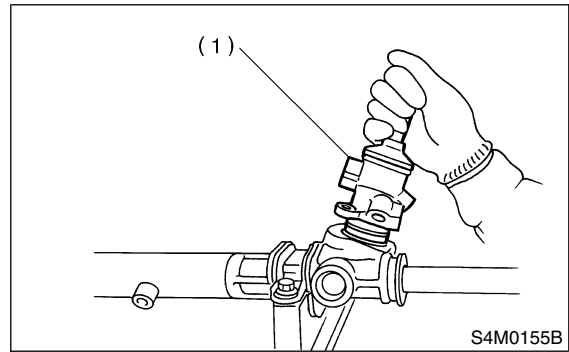
(1) Adjusting screw

- 3) Remove two bolts securing valve assembly.



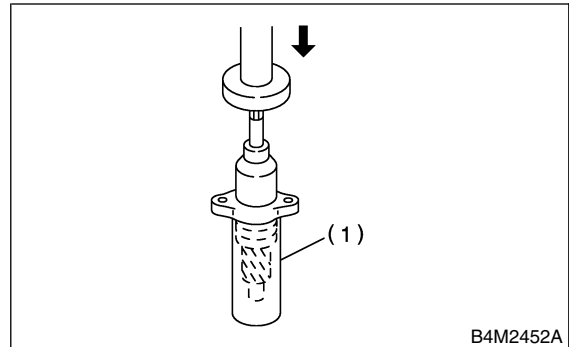
S4M0154

- 4) Carefully draw out input shaft and remove valve assembly.



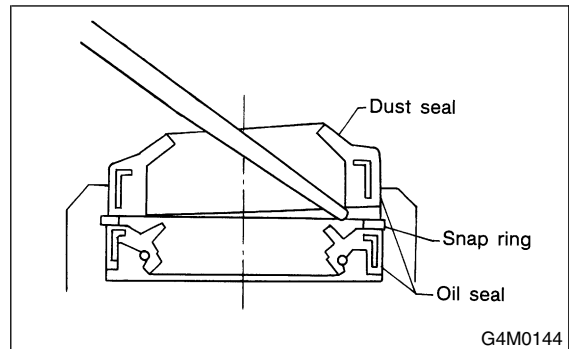
(1) Valve ASSY

- 5) Draw out pinion and valve assembly from valve housing, using pipe of I.D. 44 to 46 mm (1.73 to 1.81 in) and a press.



(1) Pipe

- 6) Pry off dust seal using screwdriver.
- 7) Remove snap ring using snap ring pliers.



G4M0144

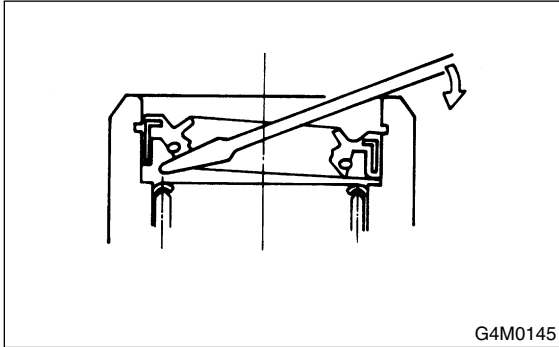
# STEERING GEARBOX

Power Assisted System (Power Steering)

8) Pry off oil seal using screwdriver.

**CAUTION:**

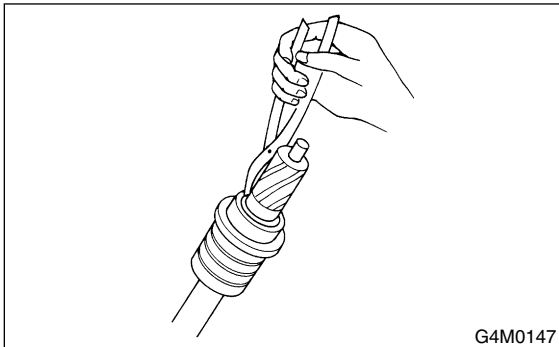
After removing, check inside surface of valve housing for damage. If oil seal contacting surface is damaged, replace valve housing with a new one.



9) Remove snap ring using snap ring pliers.

**CAUTION:**

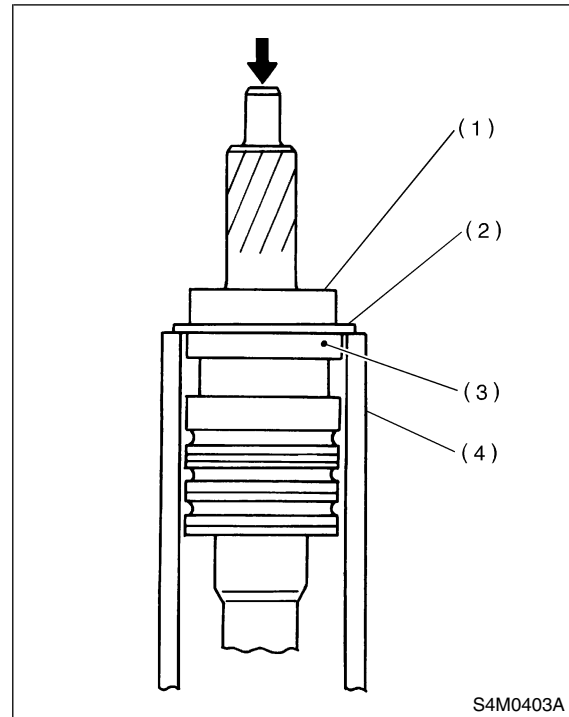
- Do not reuse removed snap ring.
- Be careful not to scratch pinion and valve assembly.



10) Press out bearing together with backing washer using pipe of I.D. 38.5 to 39.5 mm (1.516 to 1.555 in) and press.

**CAUTION:**

Do not reuse removed bearing.



- (1) Bearing
- (2) Backing washer
- (3) Oil seal
- (4) Pipe

11) Remove oil seal.

**CAUTION:**

Do not reuse removed oil seal.

## D: ASSEMBLY S601545A02

### 1. RACK HOUSING ASSEMBLY S601545A0201

**CAUTION:**

Use only SUBARU genuine grease for gearbox.

**Grease:**

**VALIANT GREASE M2**  
**[Part No. 003608001]**

- 1) Clean all parts and tools before reassembling.
- 2) Apply grease to teeth of rack so that grease applied is about as high as teeth, and also apply a thin film of grease to sliding portion of rack shaft.

**CAUTION:**

- When moving rack to stroke end without tie-rod attached, prevent shocks from being applied at the end.
- Do not apply grease to threaded portion at end of rack shaft.

# STEERING GEARBOX

Power Assisted System (Power Steering)

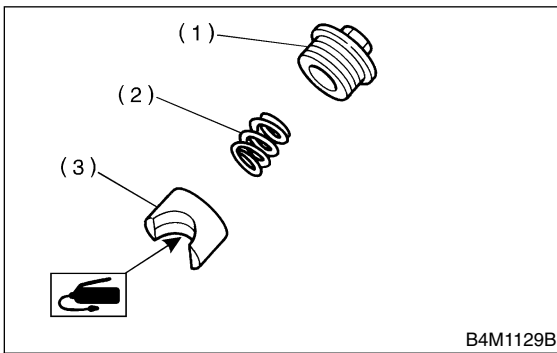
● Move rack shaft to stroke end two (2) or three (3) times to squeeze grease which accumulates on both ends. Remove grease to prevent it from choking air passage hole.

- 3) Apply grease to sleeve insertion hole.
- 4) Apply grease to dust seal insertion hole.

**CAUTION:**

Apply clean grease with clean hands. If material having a sharp edge is used for applying grease, oil seal at the inside might be damaged.

5) Apply grease to sliding surface of sleeve and spring seat, then insert sleeve into pinion housing. Fit spring into sleeve screw, pack grease inside of screw, then install the screw.



- (1) Adjusting screw
- (2) Spring
- (3) Sleeve

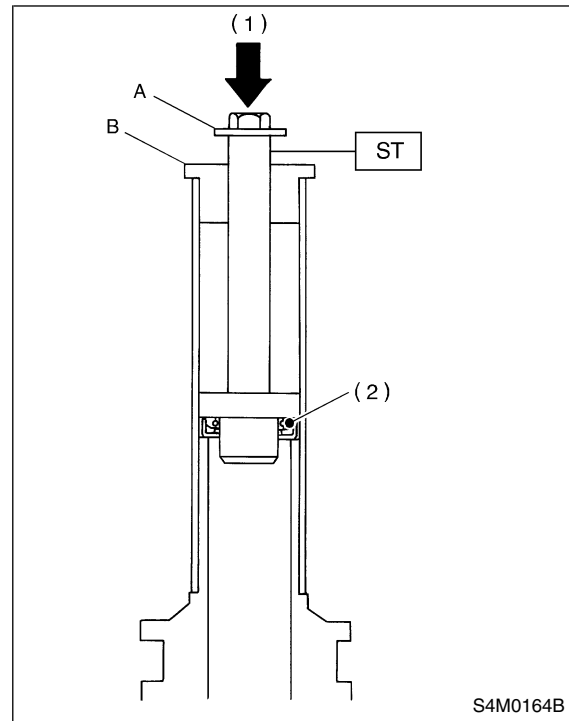
6) Force-fit oil seal using ST.  
ST 34199AE050 INSTALLER

**CAUTION:**

Be careful not to damage or scratch cylinder inner wall.

**NOTE:**

- Apply specified power steering fluid to oil seal.
- Pay special attention not to install oil seal in wrong direction.
- Push oil seal until the stepped portion of A contacts end face of B.



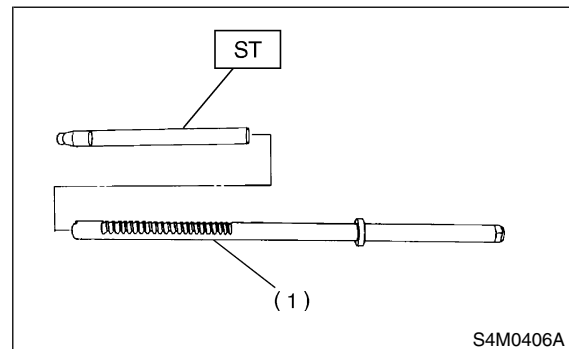
- (1) Press
- (2) Oil seal

7) Fixing rack housing  
Fix rack housing in vise using ST.  
ST 926200000 STAND

**CAUTION:**

- When fixing rack housing in vise, be sure to use this special tool. Do not fix rack housing in vise using pad such as aluminum plates, etc.
- When using old rack housing, be sure to clean and remove rust before assembling. Check pinion housing bushing carefully.

8) Fit ST over toothed portion of rack assembly, and check for binding or unsmooth insertion. If any deformation is noted on flats at the end of rack, shape by using file, and wash with cleaning fluid.  
ST 926390001 COVER & REMOVER ASSY



- (1) Rack ASSY



# STEERING GEARBOX

Power Assisted System (Power Steering)

9) Apply genuine grease to teeth of thoroughly washed rack assembly, and fit ST over the toothed portion.

### CAUTION:

- Be careful not to block air passage hole with grease. Remove excessive grease.
- After fitting cover, check air passage hole for clogging. If clogged, open by removing grease from the hole.
- Check rack shaft for damage.
- Apply specified power steering fluid to this ST and surface of piston ring to prevent seal from being damaged.

10) Insert rack assembly into rack housing from cylinder side, and remove ST after it has passed completely through oil seal.

### NOTE:

Before inserting rack assembly, apply a coat of specified power steering fluid to surfaces of ST and rack piston.

ST 926390001 COVER & REMOVER ASSY

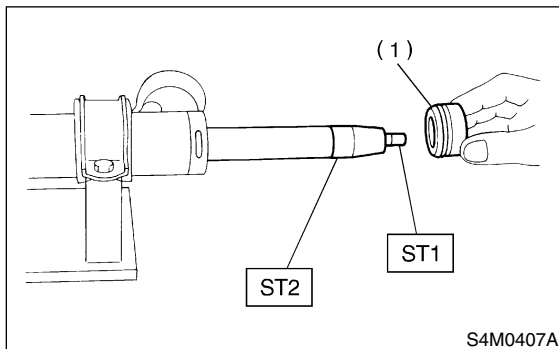
11) Fit ST1 and ST2 over the end of rack, and install rack bushing.

ST1 926400000 GUIDE

ST2 927660000 GUIDE

### CAUTION:

- If burrs, or nicks are found on this guide and rack shaft portion, remove by filing.
- Dip rack bushing in specified power steering fluid before installing, and pay attention not to damage O-ring and oil seal.



(1) Rack bushing ASSY

12) Insert rack stopper into cylinder tube until internal groove (on cylinder side) is aligned with external groove (on rack stopper). Turn rack stopper with ST so that rack stopper hole is seen through cylinder slits.

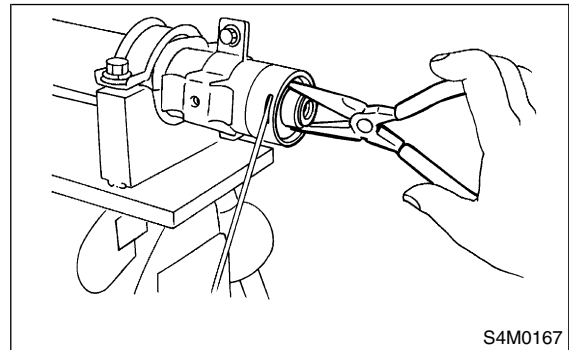
13) Insert rack stopper into rack housing, and wrap circlip using a sharp pointed pliers to secure rack stopper in position.

### CAUTION:

Be careful not to scratch rack while winding circlip.

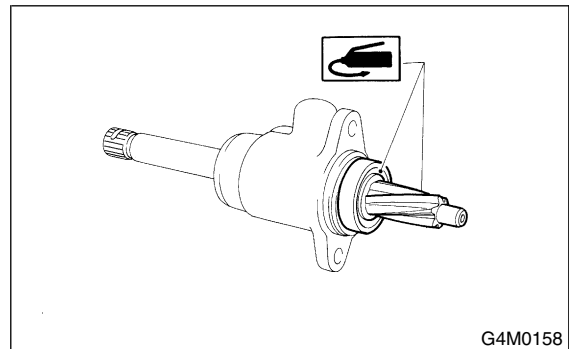
### NOTE:

Rotate wrench another 90 to 180° after the end of circlip has been wrapped in.



14) Fit mounting rubber onto rack housing.

15) Apply genuine grease to pinion gear and bearing of valve assembly.



# STEERING GEARBOX

## Power Assisted System (Power Steering)

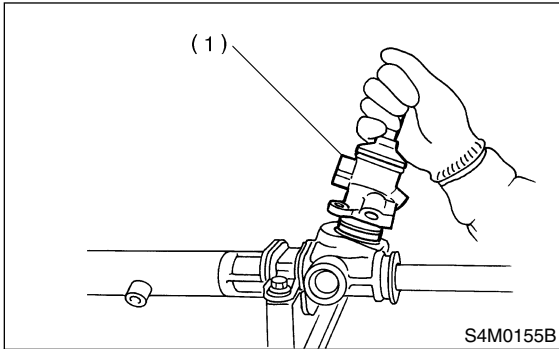
16) Install gasket on valve assembly. Insert valve assembly into place while facing rack teeth toward pinion.

**CAUTION:**

**Be sure to use a new gasket.**

**NOTE:**

Do not allow packing to be caught when installing valve assembly.



(1) Valve ASSY

17) Tighten bolts alternately to secure valve assembly.

**Tightening torque:**

**25 N·m (2.5 kgf·m, 18.1 ft·lb)**

**CAUTION:**

**Be sure to alternately tighten bolts.**

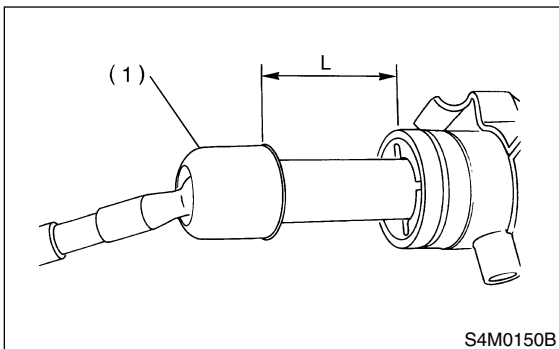
18) Install lock washers and tighten left and right tie-rods into rack ends.

**On condition**

**L: Approximately 40 mm (1.57 in)**

**Tightening torque:**

**78 N·m (8.0 kgf·m, 58 ft·lb)**

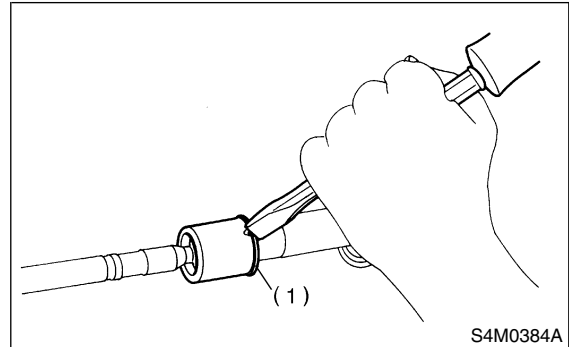


(1) Tie-rod

19) Bend lock washer.

**CAUTION:**

**Be careful not to scratch rack when bending lock washer.**



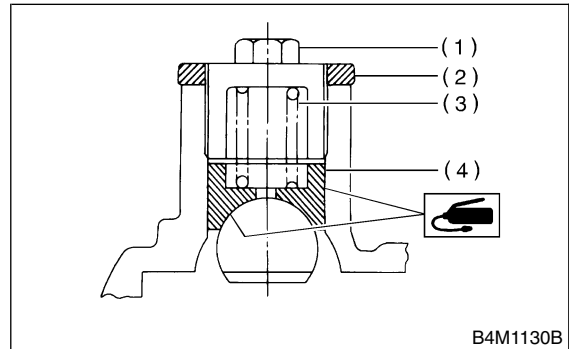
(1) Lock washer

20) Rack and pinion backlash adjustment

(1) Loosen adjusting screw.

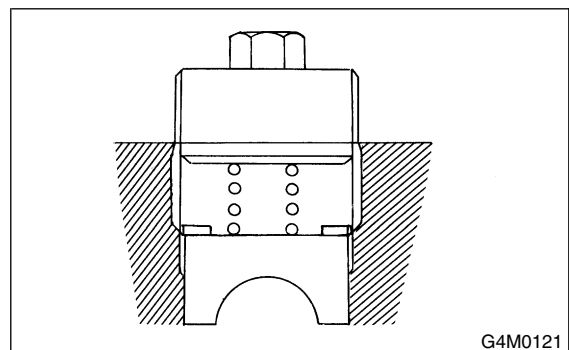
(2) Rotate input shaft so that rack is in the straight ahead direction.

(3) Apply grease to sleeve.



- (1) Adjusting screw
- (2) Lock nut
- (3) Spring
- (4) Sleeve

(4) Tighten adjusting screw by two threads.



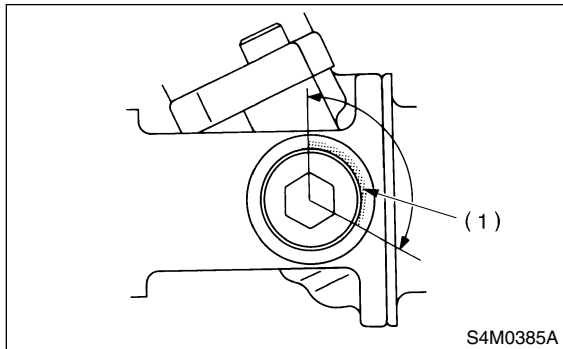
# STEERING GEARBOX

Power Assisted System (Power Steering)

(5) Apply liquid packing to at least 1/3 of entire perimeter of adjusting screw thread.

## Liquid packing:

**THREE BOND 1141**



(1) Apply liquid packing to at least 1/3 of entire perimeter.

(6) Tighten adjusting screw to 7.4 N·m (0.75 kgf-m, 5.4 ft-lb) and back off 25°.

(7) Install lock nut. While holding adjusting screw with a wrench, tighten lock nut using ST. ST 926230000 SPANNER

## Tightening torque (Lock nut):

**39 N·m (4.0 kgf-m, 29 ft-lb)**

### NOTE:

- Hold adjusting screw with a wrench to prevent it from turning while tightening lock nut.
- Make adjustment so that steering wheel can be rotated fully from lock to lock without binding.

21) Inspect for service limit as per article of "Service limit". <Ref. to PS-39, SERVICE LIMIT, INSPECTION, Steering Gearbox.> Make replacement and adjustment if necessary.

22) Install boot to housing.

### NOTE:

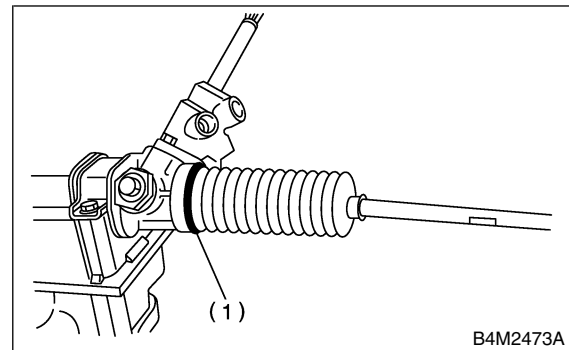
- Before installing boot, be sure to apply grease to the groove of tie-rod.
- Install fitting portions of boots to the following portions in both sides of assembled steering gearbox.

The groove on gearbox

The groove on the rod

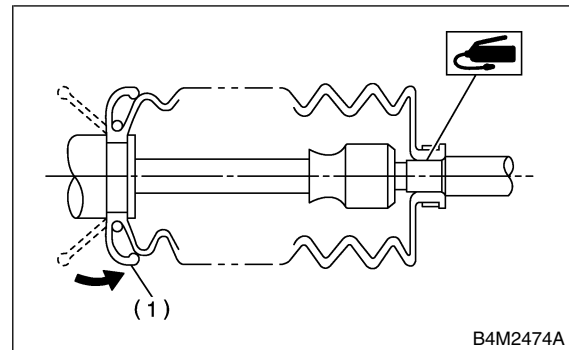
- Make sure that boot is installed without unusual inflation or deflation.

23) Fit clip (large) to boot, and then install boot to gearbox while holding boot flange. After installing boot, fold back boot flange to the extent that large clip cannot be seen.



(1) Clip (large)

24) Turn boot until it seats well on gearbox and rubber mounting, then bend boot flange back.

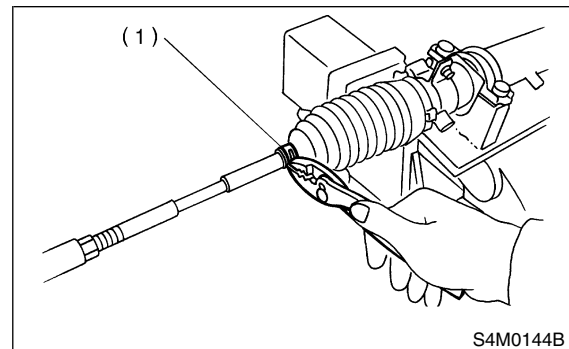


(1) Reverse after installing

25) Fix boot end with clip (small).

### CAUTION:

**After installing, check boot end is positioned into groove on tie-rod.**



(1) Clip (small)

# STEERING GEARBOX

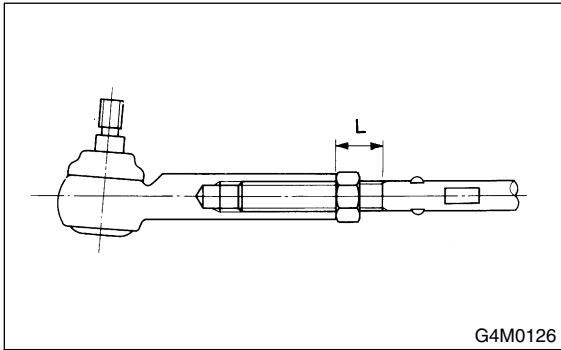
Power Assisted System (Power Steering)

26) If tie-rod end was removed, screw in lock nut and tie-rod end to screwed portion of tie-rod, and tighten lock nut temporarily in a position as shown in figure.

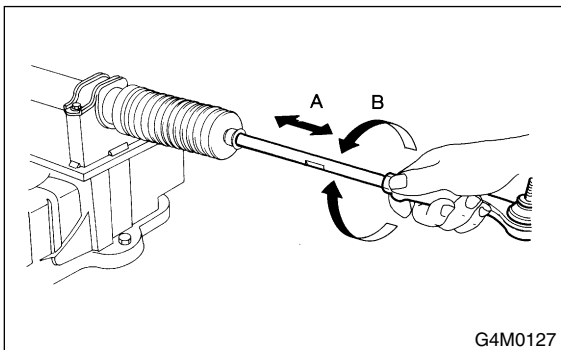
**Installed tie-rod length: L**  
**15 mm (0.59 in)**

NOTE:

Pay attention to difference between right and left tie-rod ends.



27) Inspect gearbox as follows:  
"A" Holding tie-rod end, repeat lock to lock two or three times as quickly as possible.  
"B" Holding tie-rod end, turn it slowly at a radius one or two times as large as possible.  
Finally, make sure that boot is installed in the specified position without deflation.



28) Remove gearbox from ST.  
ST 926200000 STAND

29) Install four pipes on gearbox.

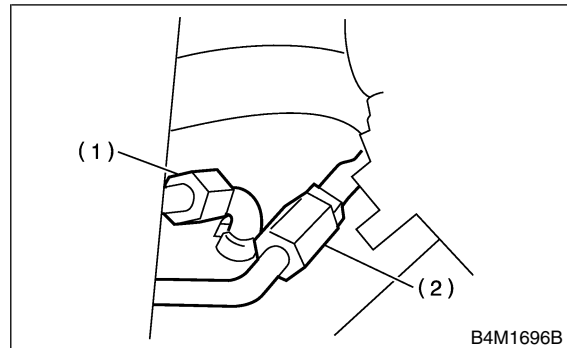
(1) Connect pipes A and B to four pipe joints of gearbox. Connect upper pipe B first, and lower pipe A.

**Tightening torque:**  
**13 N·m (1.3 kgf·m, 9.4 ft·lb)**

(2) Connect pipes C and D to gearbox.  
Connect lower pipe C first, and upper pipe D second.

**Tightening torque:**

**15 N·m (1.5 kgf·m, 10.8 ft·lb)**



(1) Pipe C  
(2) Pipe D

## 2. CONTROL VALVE ASSEMBLY

S601545A0202

**Specified steering grease:**

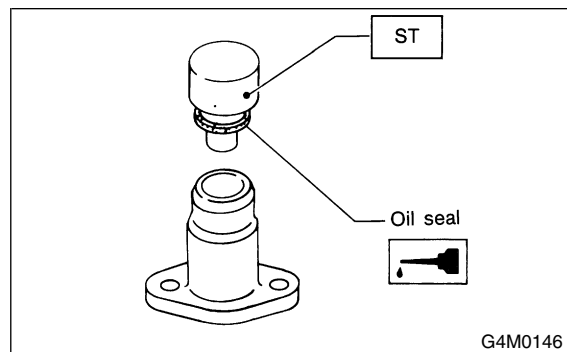
**VALIANT GREASE M2 (Part No. 003608001)**

1) Clean all parts and tools before reassembling.  
2) Press-fit oil seal into valve housing using ST and press.

ST 927610000 INSTALLER

NOTE:

Before fitting, coat oil seal fully with ATF DEXRON ATF DEXRON III or equivalent.



3) Fit snap ring in snap ring groove using snap ring pliers.

**CAUTION:**

**Be careful not to scratch oil seal with snap ring pliers.**

NOTE:

Rotate snap ring to check for proper installation.

4) Put vinyl tape around pinion shaft splines to protect oil seal from damage.

5) Fit pinion and valve assembly into valve housing.

# STEERING GEARBOX

Power Assisted System (Power Steering)

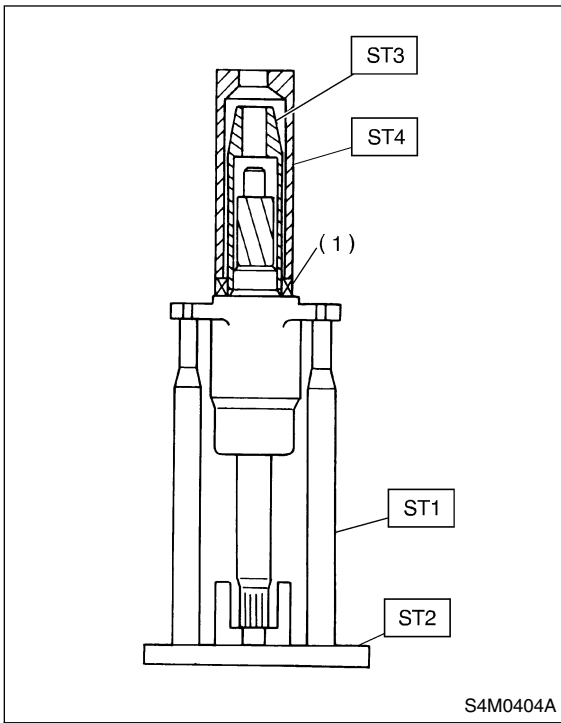
## NOTE:

Apply specified power steering fluid to outer diameter of input shaft and outer surface of valve body seal ring, and pay special attention not to damage seal when inserting pinion and valve assembly.

6) Secure valve assembly to ST1 and ST2.

7) Put ST3 over pinion, and insert oil seal, then force-fit oil seal into housing using ST4.

ST1 926370000 INSTALLER A  
ST2 927630000 STAND BASE  
ST3 926360000 INSTALLER A  
ST4 927620000 INSTALLER B



(1) Oil seal

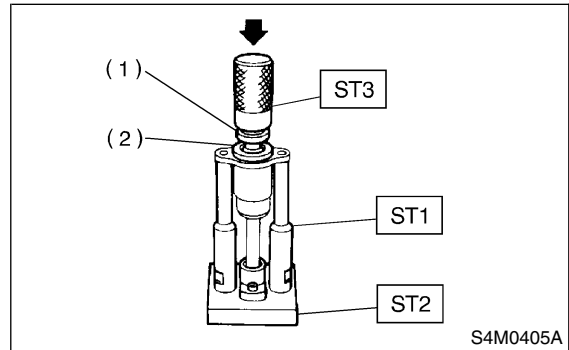
## NOTE:

- Apply specified power steering fluid to oil seal and ST3, being careful not to damage oil seal lip.
- Push oil seal until ST3 contacts housing end face.

8) Remove ST3, and fit backing washer.

9) Force-fit ball bearing using ST3.

ST1 926370000 INSTALLER A  
ST2 927630000 STAND BASE  
ST3 927640000 INSTALLER B

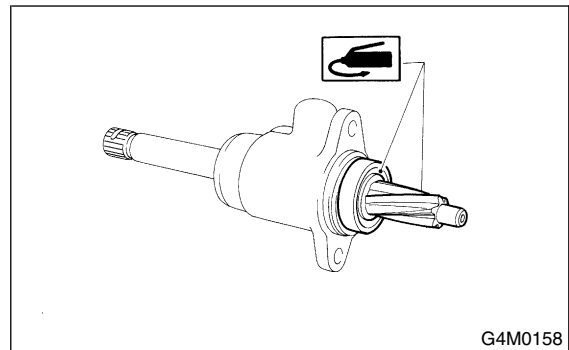


- (1) Ball bearing  
(2) Backing washer

## NOTE:

Be careful not to tilt ball bearing during installation.

10) Apply genuine grease to pinion gear and bearing of valve assembly.



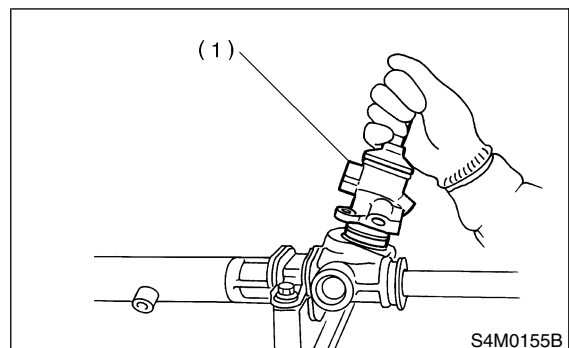
11) Install gasket on valve assembly. Insert valve assembly into place while facing rack teeth toward pinion.

## CAUTION:

**Be sure to use a new gasket.**

## NOTE:

Do not allow packing to be caught when installing valve assembly.



(1) Valve ASSY

# STEERING GEARBOX

## Power Assisted System (Power Steering)

12) Tighten bolts alternately to secure valve assembly.

### Tightening torque:

**25 N·m (2.5 kgf-m, 18.1 ft-lb)**

### CAUTION:

**Be sure to alternately tighten bolts.**

13) Apply grease to sleeve insertion hole.

14) Apply grease to dust seal insertion hole.

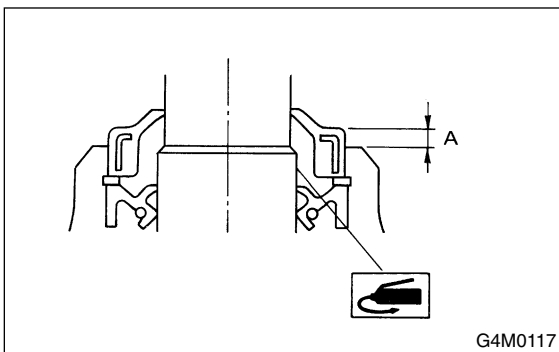
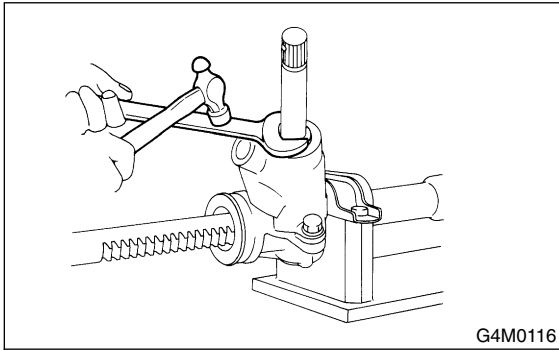
### CAUTION:

**Apply clean grease with clean hands. If material having a sharp edge is used for applying grease, oil seal at the inside might be damaged.**

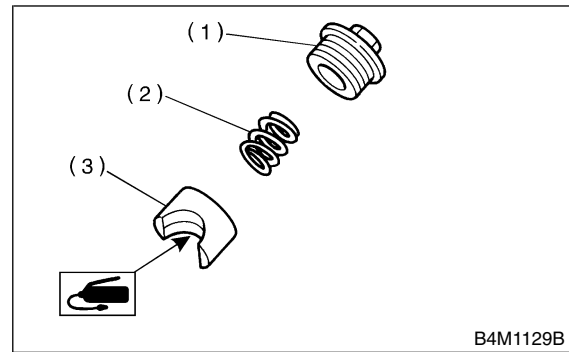
15) Press-fit dust seal into gearbox housing while tapping it via a spanner or the like so that stepping between gearbox and dust seal is normally 2 mm (0.08 in).

### Depth: A

**2 mm (0.08 in)**



16) Apply grease to sliding surface of sleeve and spring seat, then insert sleeve into pinion housing. Fit spring into sleeve screw, pack grease inside of screw, then install the screw.



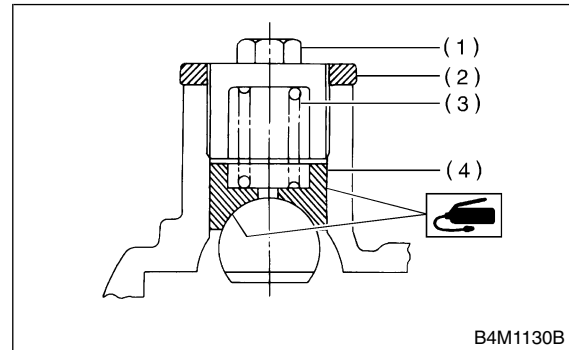
- (1) Adjusting screw
- (2) Spring
- (3) Sleeve

17) Rack and pinion backlash adjustment

(1) Loosen adjusting screw.

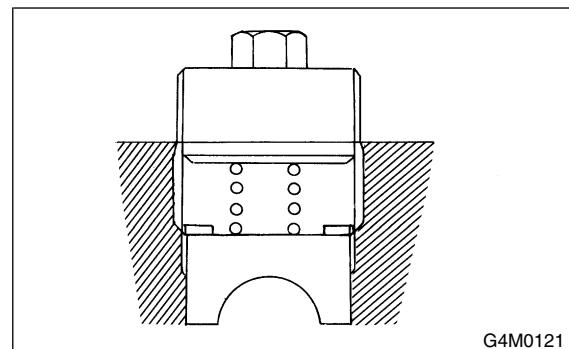
(2) Rotate input shaft so that rack is in the straight ahead direction.

(3) Apply grease to sleeve.



- (1) Adjusting screw
- (2) Lock nut
- (3) Spring
- (4) Sleeve

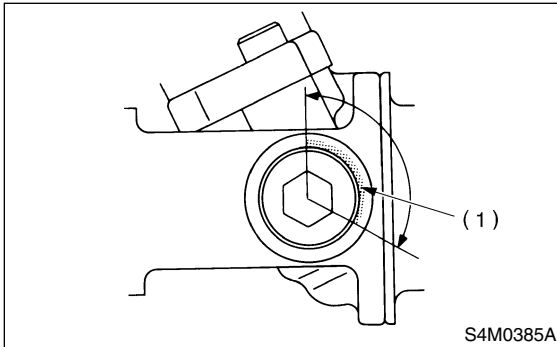
(4) Tighten adjusting screw by two threads.



(5) Apply liquid packing to at least 1/3 of entire perimeter of adjusting screw thread.

**Liquid packing:**

**THREE BOND 1141**



(1) Apply liquid packing to at least 1/3 of entire perimeter.

(6) Tighten adjusting screw to 7.4 N-m (0.75 kgf-m, 5.4 ft-lb) and back off 25°.

(7) Install lock nut. While holding adjusting screw with a wrench, tighten lock nut using ST. 926230000 SPANNER

**Tightening torque (Lock nut):**

**39 N-m (4.0 kgf-m, 29 ft-lb)**

**NOTE:**

- Hold adjusting screw with a wrench to prevent it from turning while tightening lock nut.
- Make adjustment so that steering wheel can be rotated fully from lock to lock without binding.

18) Check for service limit as per article of "Service limit". <Ref. to PS-39, SERVICE LIMIT, INSPECTION, Steering Gearbox.> Make replacement and adjustment if necessary.

# STEERING GEARBOX

Power Assisted System (Power Steering)

## E: INSPECTION S601545A10

### 1. BASIC INSPECTION S601545A1006

1) Clean all disassembled parts, and check for wear, damage, or any other faults, then repair or replace as necessary.

2) When disassembling, check inside of gearbox for water. If any water is found, carefully check boot for damage, input shaft dust seal, adjusting screw and boot clips for poor sealing. If faulty, replace with new parts.

No.	Parts	Inspection	Corrective action
1	Input shaft	(1) Bend of input shaft (2) Damage on serration	If bend or damage is excessive, replace entire gearbox.
2	Dust seal	(1) Crack or damage (2) Wear	If outer wall slips, lip is worn out or damage is found, replace it with a new one.
3	Rack and pinion	Poor mating of rack with pinion	(1) Adjust backlash properly. By measuring turning torque of gearbox and sliding resistance of rack, check if rack and pinion engage uniformly and smoothly with each other. (Refer to "Service limit".) (2) Keeping rack pulled out all the way so that all teeth emerge, check teeth for damage. Even if abnormality is found in either (1) or (2), replace entire gearbox.
4	Gearbox unit	(1) Bend of rack shaft (2) Bend of cylinder portion (3) Crack or damage on cast iron portion	Replace gearbox with a new one.
		(4) Wear or damage on rack bushing	If free play of rack shaft in radial direction is out of the specified range, replace gearbox with a new one. (Refer to "Service limit".)
		(5) Wear on input shaft bearing	If free plays of input shaft in radial and axial directions are out of the specified ranges, replace gearbox with a new one. (Refer to "Service limit".)
5	Boot	Crack, damage or deterioration	Replace.
6	Tie-rod	(1) Looseness of ball joint (2) Bend of tie-rod	Replace.
7	Tie-rod end	Damage or deterioration on dust seal	Replace.
8	Adjusting screw spring	Deterioration	Replace.
9	Boot clip	Deterioration	Replace.
10	Sleeve	Damage	Replace.
11	Pipes	(1) Damage to flared surface (2) Damage to flare nut (3) Damage to pipe	Replace.



# STEERING GEARBOX

Power Assisted System (Power Steering)

## 2. SERVICE LIMIT S601545A1001

Make a measurement as follows. If it exceeds the specified service limit, adjust or replace.

### NOTE:

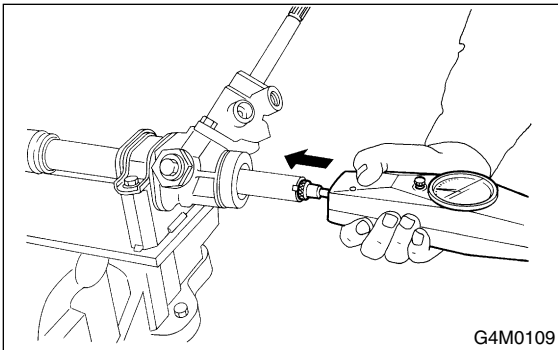
When making a measurement, vise gearbox by using ST. Never vise gearbox by inserting aluminum plates, etc. between vise and gearbox.

ST 926200000 STAND

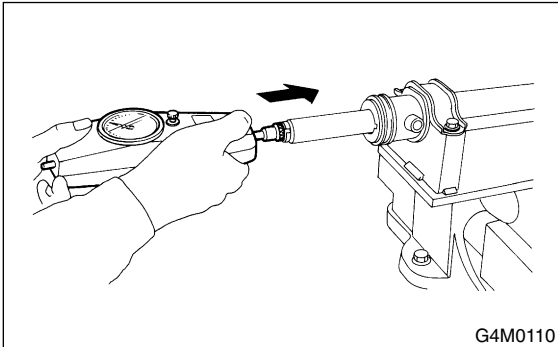
### Sliding resistance of rack shaft:

#### Service limit

**304 N (31 kgf, 68 lb) or less**



G4M0109



G4M0110

## 3. RACK SHAFT PLAY IN RADIAL DIRECTION S601545A1002

### Right-turn steering:

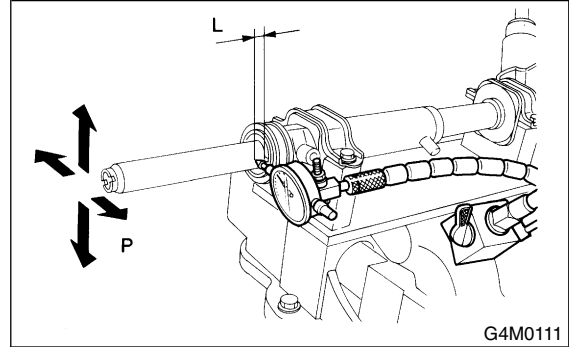
#### Service limit

**0.19 mm (0.0075 in) or less**

#### On condition

**L: 5 mm (0.20 in)**

**P: 122.6 N (12.5 kgf, 27.6 lb)**



G4M0111

### Left-turn steering:

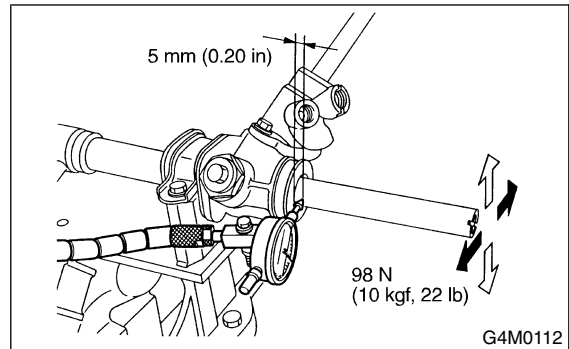
#### Service limit

**Direction** ← →

**0.3 mm (0.012 in) or less**

**Direction** ← →

**0.15 mm (0.0059 in) or less**



G4M0112

# STEERING GEARBOX

Power Assisted System (Power Steering)

## 4. INPUT SHAFT PLAY S601545A1003

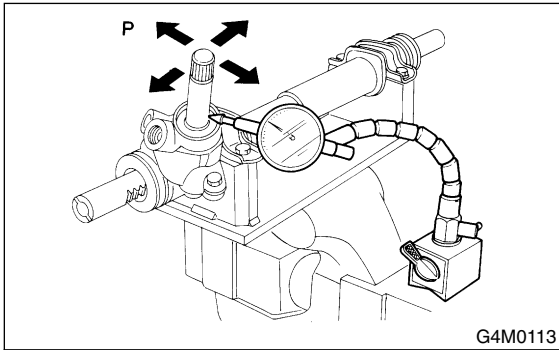
**In radial direction:**

**Service limit**

**0.18 mm (0.0071 in) or less**

**On condition**

**P: 98 N (10 kgf, 22 lb)**



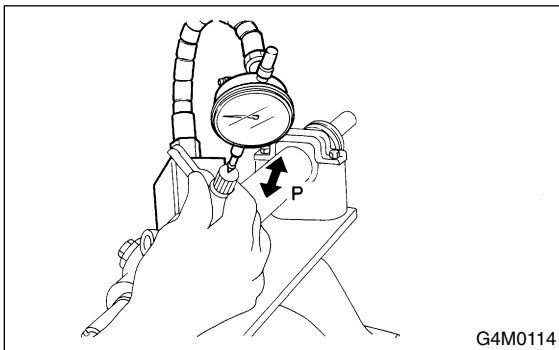
**In axial direction:**

**Service limit**

**0.5 mm (0.020 in) or less**

**On condition**

**P: 20 — 49 N (2 — 5 kgf, 4 — 11 lb)**



## 5. TURNING RESISTANCE OF GEARBOX

S601545A1004

Using ST, measure gearbox turning resistance.

ST 926230000 SPANNER

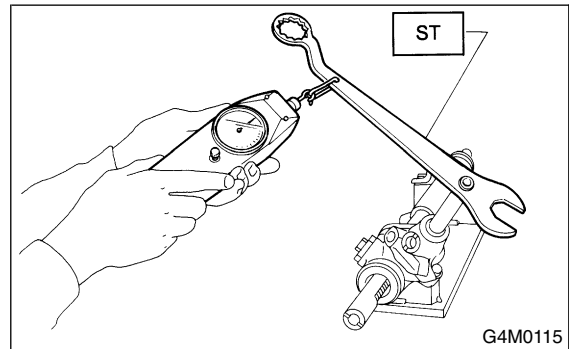
**Service limit:**

**Straight-ahead position within 30 mm (1.18 in) from rack center**

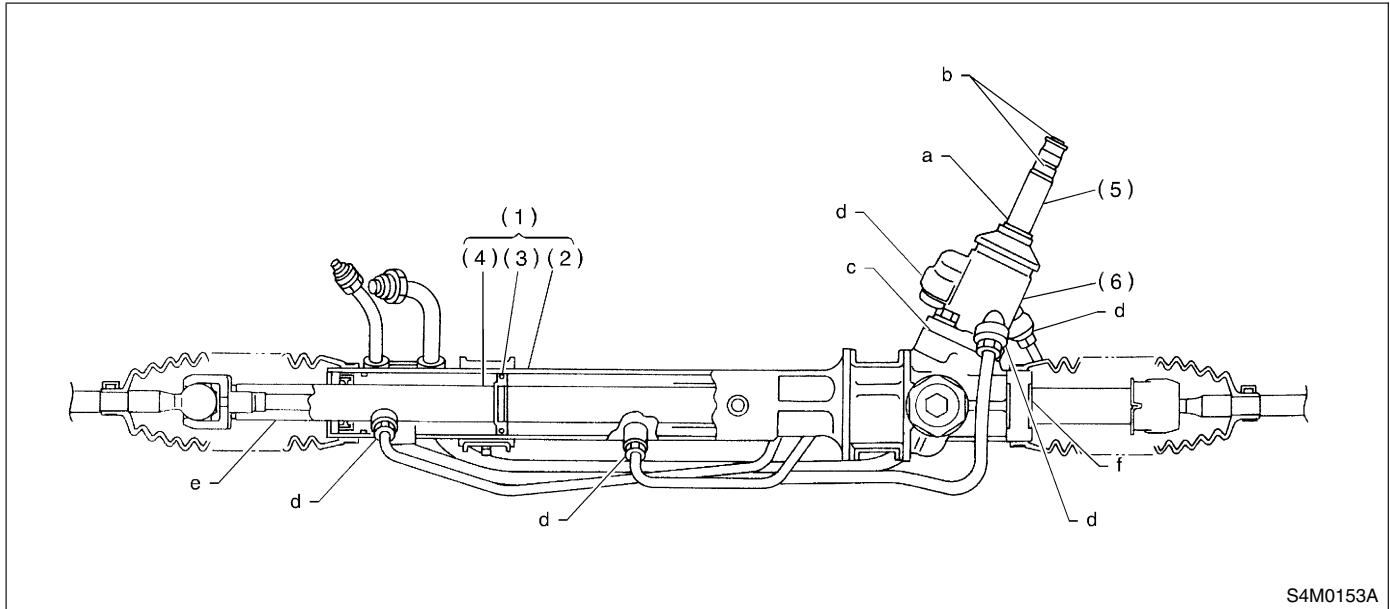
**Less than 11.18 N (1.14 kgf, 2.51 lb)**

**Maximum allowable resistance**

**12.7 N (1.3 kgf, 2.9 lb)**



## 6. OIL LEAKING S601545A1005



- |                    |                 |                   |
|--------------------|-----------------|-------------------|
| (1) Power cylinder | (3) Rack piston | (5) Input shaft   |
| (2) Cylinder       | (4) Rack axle   | (6) Valve housing |

### ● Oil leaking points

1) If leak point is other than a, b, c, or d, perform the 5th step in “Oil leak check procedure and replacement parts” before dismounting gearbox from vehicle. <Ref. to “Oil leak check procedure and replacement parts”.> If gearbox is dismounted without confirming where the leak is, it must be mounted again to locate the leak point.

2) Even if the location of the leak can be easily found by observing the leaking condition, it is necessary to thoroughly remove the oil from the suspected portion and turn the steering wheel from lock to lock about 30 to 40 times with engine running, then make comparison of the suspected portion between immediately after and several hours after this operation.

3) Before starting oil leak repair work, be sure to clean the gearbox, hoses, pipes, and surrounding parts. After completing repair work, clean these areas again.

### ● Oil leak check procedure and replacement parts

#### NOTE:

Parts requiring replacement are described in the smallest unit of spare parts including damaged parts and spare parts damaged. In actual disassembly work, accidental damage as well as inevitable damage to some related parts must be taken into account, and spare parts for them must also be prepared. However, it is essential to pinpoint the cause of trouble, and limit the number of replacement parts as much as possible.

#### 1) Leakage from “a”

The oil seal is damaged. Replace valve assembly with a new one.

#### 2) Leakage from “b”

The torsion bar O-ring is damaged. Replace valve assembly with a new one.

#### 3) Leakage from “c”

The oil seal is damaged. Replace valve assembly or oil seal with a new one.

#### 4) Leakage from “d”

The pipe is damaged. Replace the faulty pipe or O-ring.

# STEERING GEARBOX

## Power Assisted System (Power Steering)

5) If leak is other than a, b, c, or d, and if oil is leaking from the gearbox, move the right and left boots toward tie-rod end side, respectively, with the gearbox mounted to the vehicle, and remove oil from the surrounding portions. Then, turn the steering wheel from lock to lock 30 to 40 times with the engine running, then make comparison of the leaked portion immediately after and several hours after this operation.

(1) Leakage from "e"

The cylinder seal is damaged. Replace rack bushing with a new one.

(2) Leakage from "f"

There are two possible causes. Take following step first. Remove the pipe assembly B from the valve housing, and close the circuit with ST.

ST 926420000 PLUG

Turn the steering wheel from lock to lock 30 to 40 times with the engine running, then make comparison of the leaked portion between immediately after and several hours after this operation.

### CAUTION:

● If leakage from "f" is noted again:

The oil seal of pinion and valve assembly is damaged. Replace pinion and valve assembly with a new one. Or replace the oil seal and the parts that are damaged during disassembly with new ones.

● If oil stops leaking from "f":

The oil seal of rack housing is damaged. Replace the oil seal and the parts that are damaged during disassembly with new ones.

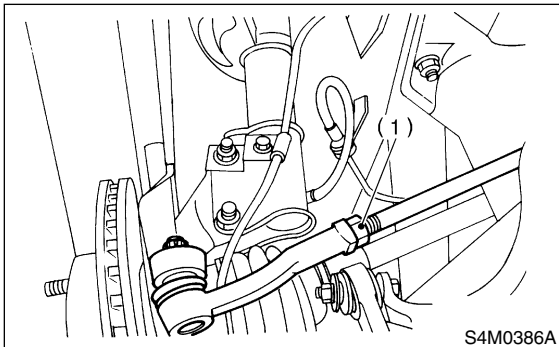
### F: ADJUSTMENT

S601545A01

1) Adjust front toe.

#### Standard of front toe:

**IN 3 — OUT 3 mm (IN 0.12 — OUT 0.12 in)**



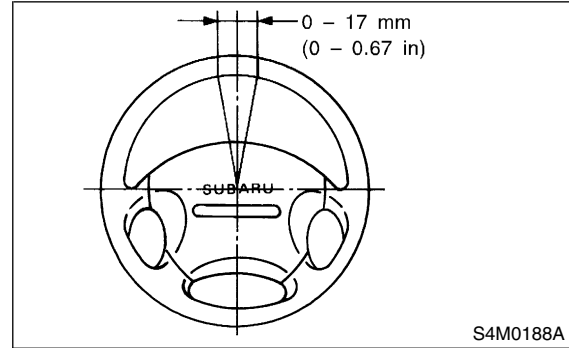
(1) Lock nut

2) Adjust steering angle of wheels.

#### Standard of steering angle:

Model	Except OUTBACK	OUTBACK
Inner wheel	36.3°±1.5°	34.5°±1.5°
Outer wheel	31.6°±1.5°	30.3°±1.5°

3) If steering wheel spokes are not horizontal when wheels are set in the straight ahead position, and error is more than 5° on the periphery of steering wheel, correctly re-install the steering wheel.



4) If steering wheel spokes are not horizontal with vehicle set in the straight ahead position after this adjustment, correct it by turning the right and left tie-rods in the same direction by the same turns.

