

POWER STEERING FLUID

Power Assisted System (Power Steering)

9. Power Steering Fluid S601275

A: SPECIFICATION S601275A22

Recommended power steering fluid	Manufacturer
DEXRON III or equivalent	B.P.
	CALTEX
	CASTROL
	MOBIL
	SHELL
	TEXACO

B: INSPECTION S601275A10

1) Check power steering fluid for deterioration or contamination. If the fluid is highly deteriorated or contaminated, drain it and refill with new fluid.

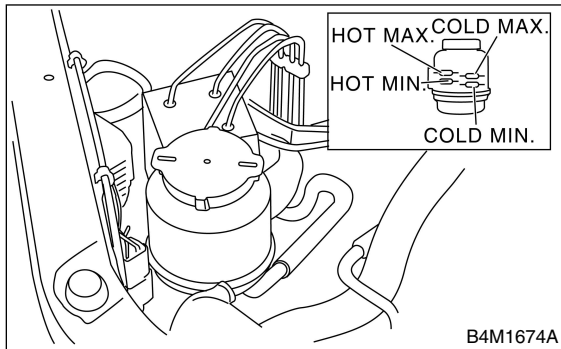
2) Check joints and units for oil leakage. If any oil leaks are found, repair or replace the applicable part.

3) Inspect fluid level on flat and level surface with engine "OFF" by indicator of reservoir tank.

If the level is at lower point or below, add fluid to keep the level in the specified range of the indicator. If at upper point or above, drain fluid using a syringe or the like.

(1) Check at temperature 20°C (68°F) on reservoir surface of oil pump; read the fluid level on the "COLD" side.

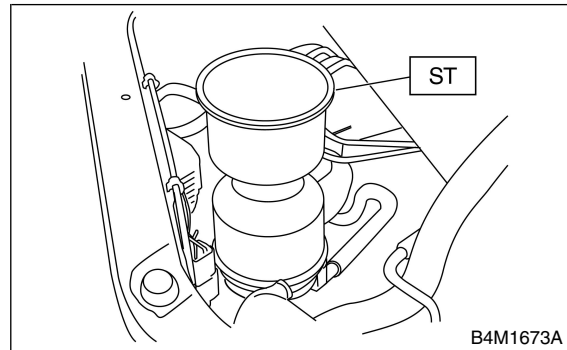
(2) Check at temperature 80°C (176°F) on reservoir surface of oil pump; read the fluid level on the "HOT" side.



C: INSTALLATION S601275A11

1) Set ST on top of reservoir tank and fill it about half way with the specified fluid.

ST 34199AE040 OIL CHARGE GUIDE



2) Jack-up vehicle and support it with safety stands, then turn steering wheel with engine stopped.

3) Continue to turn steering wheel slowly from lock to lock until bubbles stop appearing in the tank while keeping the fluid at that level.

4) In case air is absorbed to deliver bubbles into piping because the fluid level is lower, leave it about half an hour and then do the step 2) all over again.

5) Start and idle the engine.

6) Continue to turn steering wheel slowly from lock to lock again until bubbles stop appearing in the tank while keeping the fluid at that level.

It is normal that bubbles stop appearing after three times turning of steering wheel.

7) In case bubbles do not stop appearing in the tank, leave it about half an hour and then do the step 5) all over again.

8) Stop the engine, and take out safety stands after jacking up vehicle again.

Then lower the vehicle, and idle the engine.

9) Continue to turn steering wheel from lock to lock until bubbles stop appearing and change of the fluid level is within 3 mm (0.12 in).

10) In case the following happens, leave it about half an hour and then do step 8) again.

(1) The fluid level changes over 3 mm (0.12 in).

(2) Bubbles remain on the upper surface of the fluid.

(3) Grinding noise is generated from oil pump.

11) Check the fluid leakage at flare nuts after turning steering wheel from lock to lock with engine running.

CAUTION:

● Before checking, wipe off any fluid on flare nuts and piping.

● In case the fluid leaks from flare nut, it is caused by dust (or the like) and/or damage between flare and tapered seat in piping.

POWER STEERING FLUID

Power Assisted System (Power Steering)

- Remove the flare nut and tighten again it to the specified torque after cleaning flare and tapered seat. If flare or tapered seat is damaged, replace with a new one.