

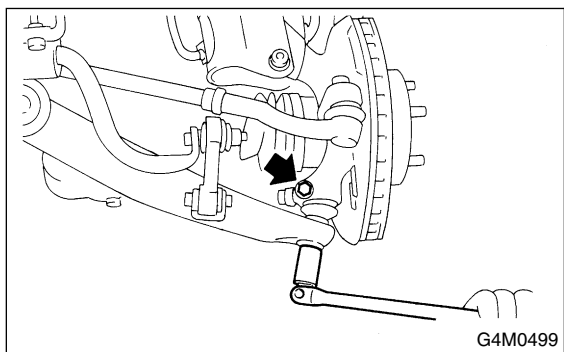
FRONT BALL JOINT

Front Suspension

4. Front Ball Joint S202114

A: REMOVAL S202114A18

- 1) Set vehicle on a lift.
- 2) Disconnect ground cable from battery.
- 3) Lift-up the vehicle and remove the wheel.
- 4) Pull out the cotter pin from the ball stud, remove the castle nut, and extract the ball stud from the transverse link.
- 5) Remove the bolt securing the ball joint to the housing.



- 6) Extract the ball joint from the housing.

B: INSTALLATION S202114A11

- 1) Install ball joint onto housing.

Torque (Bolt):

50 N·m (5.1 kgf-m, 37 ft-lb)

CAUTION:

Do not apply grease to tapered portion of ball stud.

- 2) Connect ball joint to transverse link.

Torque (Castle nut):

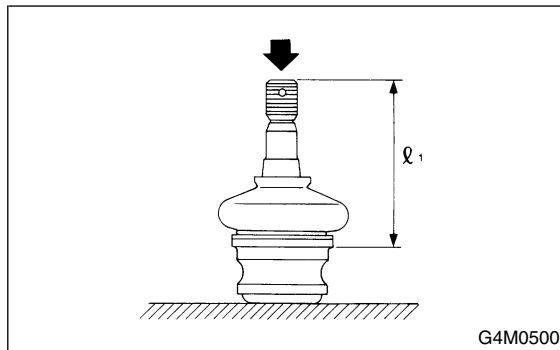
39 N·m (4.0 kgf-m, 29 ft-lb)

- 3) Retighten castle nut further within 60° until a slot in castle nut is aligned with the hole in ball stud end, then insert new cotter pin and bend it around castle nut.
- 4) Install front wheel.

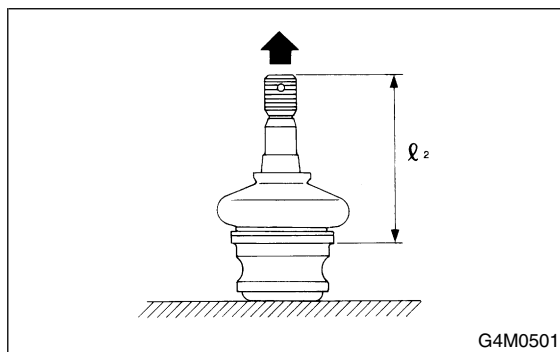
C: INSPECTION S202114A10

- 1) Measure play of ball joint by the following procedures. Replace with a new one when the play exceeds the specified value.

- (1) With 686 N (70 kgf, 154 lb) loaded in the direction shown in the figure, measure dimension l_1 .



- (2) With 686 N (70 kgf, 154 lb) loaded in the opposite direction shown in the figure, measure dimension l_2 .



- (3) Calculate plays from the following formula.

$$S = l_2 - l_1$$

- (4) When plays are larger than the following value, replace with a new one.

FRONT BALL JOINT

Specified play for replacement: S

Less than 0.3 mm (0.012 in)

- 2) When play is smaller than the specified value, visually inspect the dust cover.
- 3) The ball joint and cover that have been removed must be checked for wear, damage or cracks, and any defective part must be replaced.
- 4) If the dust cover is damaged, replace with the new ball joint.