

3. General Description S004001

A: CAUTION S004001A03

● **Supplemental Restraint System “Airbag”**
The airbag system wiring harness is routed near the transmission control module (TCM).

CAUTION:

- All airbag system wiring harness and connectors are colored yellow. Do not use electrical test equipment on these circuit.
- Be careful not to damage the airbag system wiring harness when performing diagnostics and servicing the TCM.

● Measurement

When measuring the voltage and resistance of the ECM, TCM or each sensor, use a tapered pin with a diameter of less than 0.64 mm (0.025 in) in order to avoid poor contact. Do not insert the pin more than 6.5 mm (0.256 in).

B: INSPECTION S004001A10

1. BATTERY S004001A1001

Measure the battery voltage and specific gravity of electrolyte.

Standard voltage: 12 V or more

Specific gravity: Above 1.260

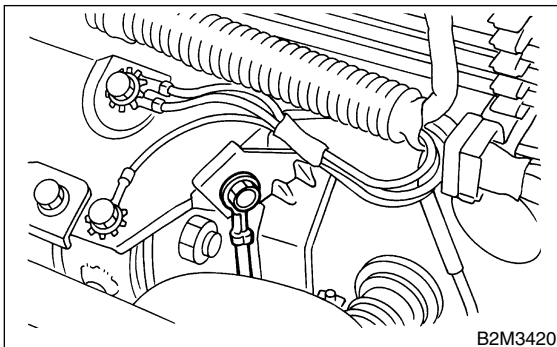
2. TRANSMISSION GROUND S004001A1002

Make sure that the ground terminal bolt is tightened securely.

● Chassis side

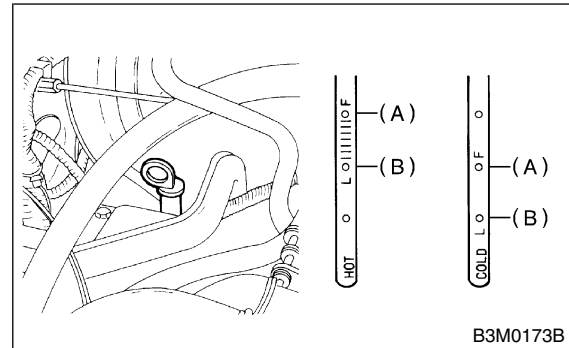
Tightening torque:

13 N·m (1.3 kgf·m, 9.4 ft·lb)



3. ATF LEVEL S004001A1003

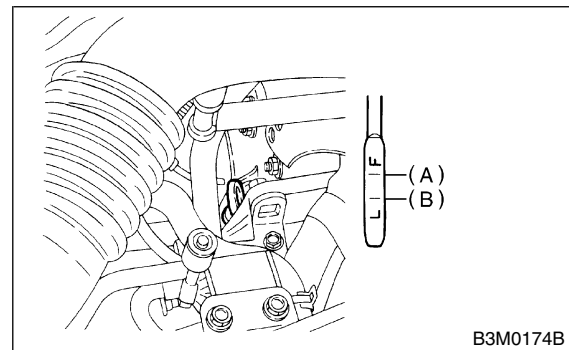
Make sure the ATF level is in the specification.
<Ref. to AT-9, Automatic Transmission Fluid.>



- (A) Upper level
- (B) Lower level

4. FRONT DIFFERENTIAL OIL LEVEL S004001A1004

Make sure the front differential oil level is in the specification.



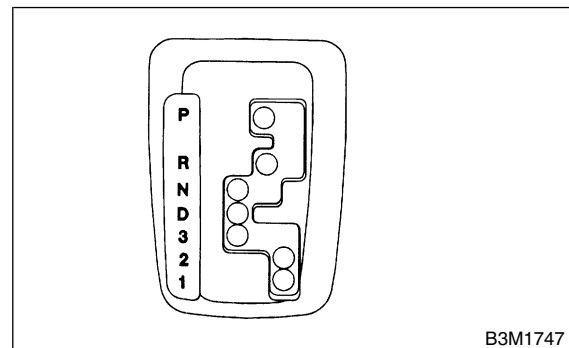
- (A) Upper level
- (B) Lower level

5. OPERATION OF SHIFT SELECT LEVER S004001A1005

Make sure there is no abnormal noise, dragging or contact pattern in each select lever range.

WARNING:

Stop the engine while checking operation of the selector lever.

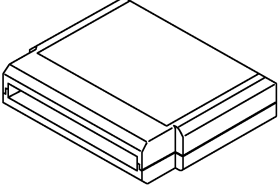



GENERAL DESCRIPTION

Automatic Transmission (Diagnostics)

C: PREPARATION TOOL S004001A17

1. SPECIAL TOOLS S004001A1701

ILLUSTRATION	TOOL NUMBER	DESCRIPTION	REMARKS
 <small>B2M3876</small>	24082AA190 (Newly adopted tool)	CARTRIDGE	Troubleshooting for electrical systems.
 <small>B2M3877</small>	22771AA030	SELECT MONITOR KIT	Troubleshooting for electrical systems. <ul style="list-style-type: none"> ● English: 22771AA030 (Without printer) ● German: 22771AA070 (Without printer) ● French: 22771AA080 (Without printer) ● Spanish: 22771AA090 (Without printer)

2. GENERAL PURPOSE TOOLS S004001A1702

TOOL NAME	REMARKS
Circuit Tester	Used for measuring resistance, voltage and ampere.
Oscilloscope	Used for measuring sensor.