

## 4. Electrical Components Location

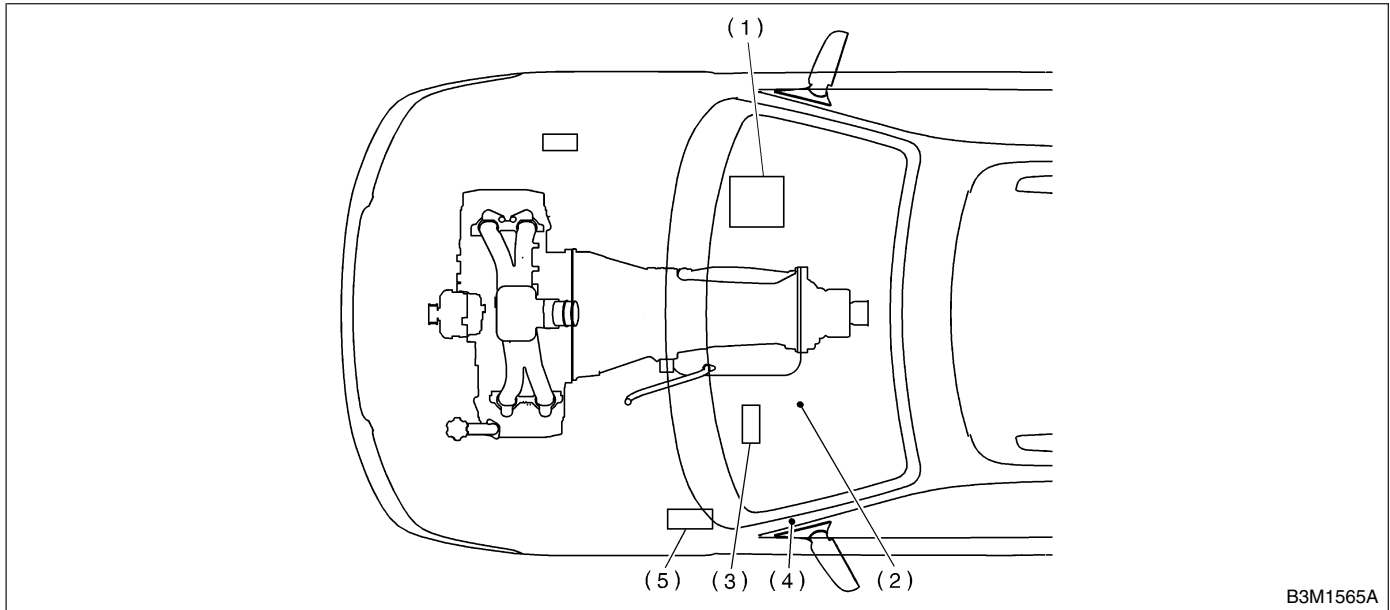
S004507

### A: LOCATION

S004507A13

#### 1. CONTROL MODULE

S004507A1301



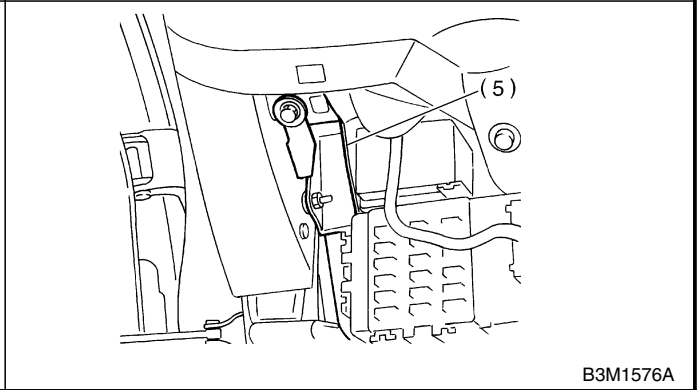
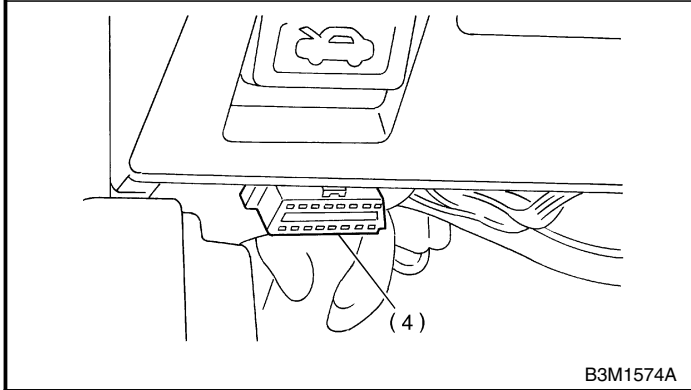
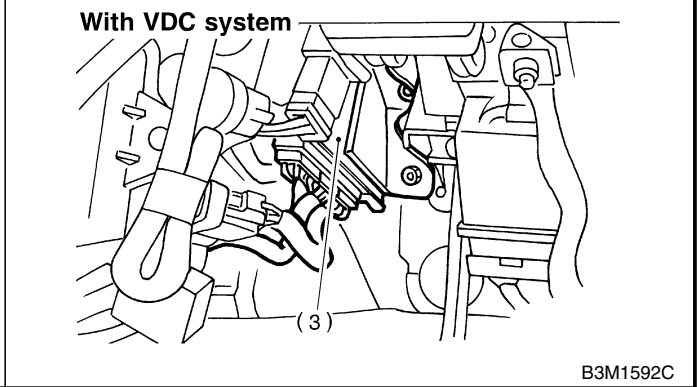
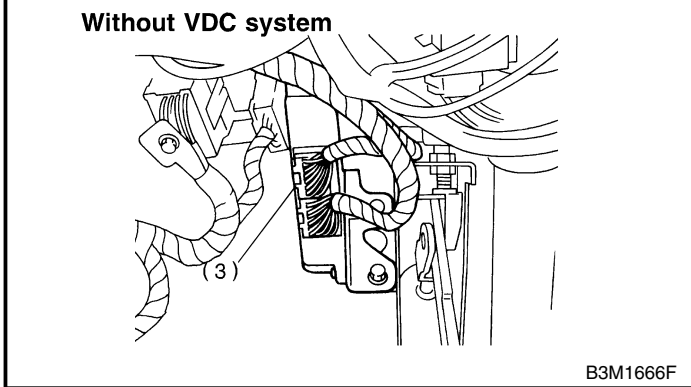
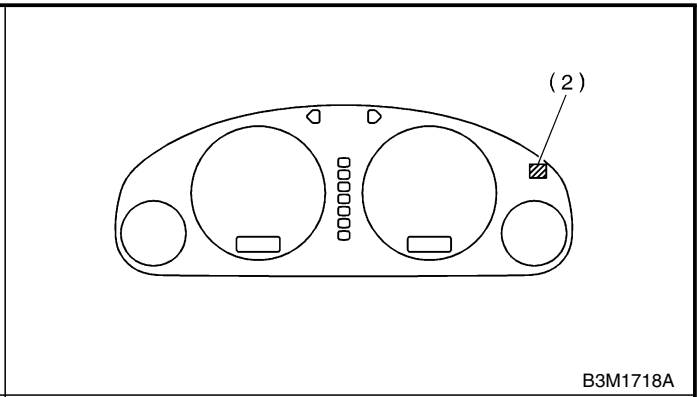
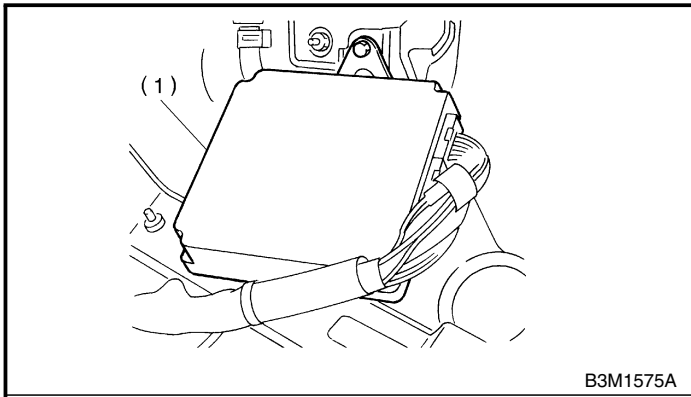
(1) Engine control module (ECM)  
(2) "AT OIL TEMP" warning light (AT diagnostic indicator light)

(3) Transmission control module (TCM)  
(4) Data link connector

(5) Vehicle dynamic control module (with VDC system)

# ELECTRICAL COMPONENTS LOCATION

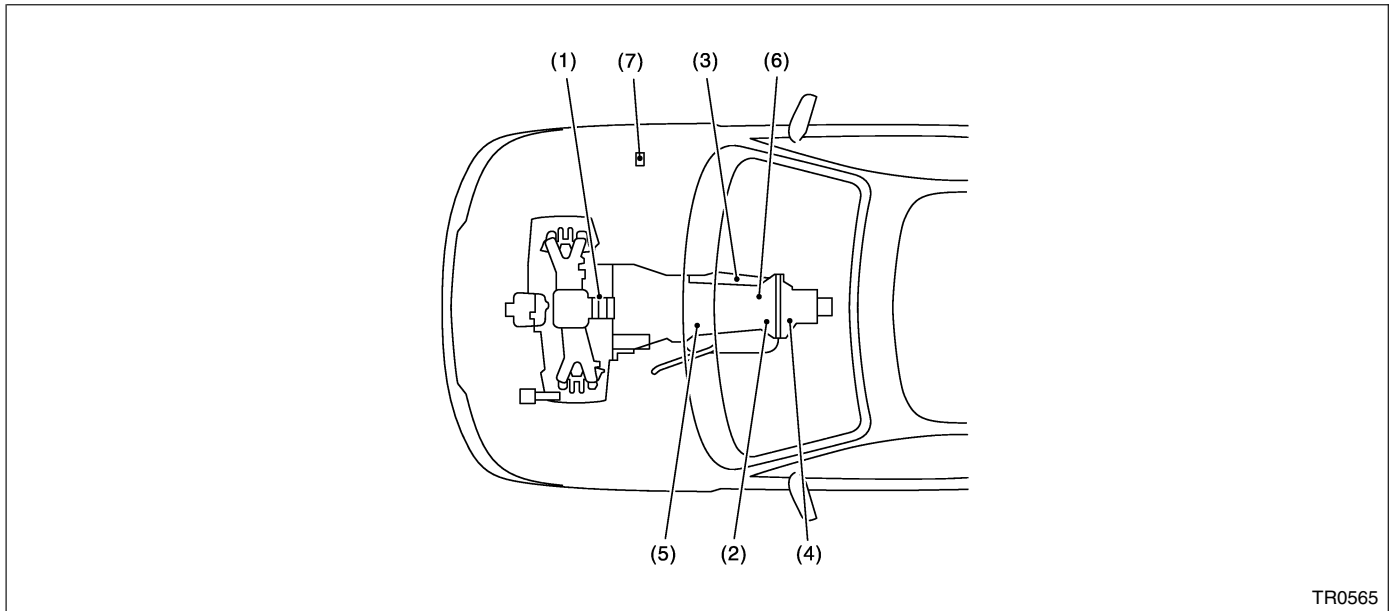
Automatic Transmission (Diagnostics)



# ELECTRICAL COMPONENTS LOCATION

Automatic Transmission (Diagnostics)

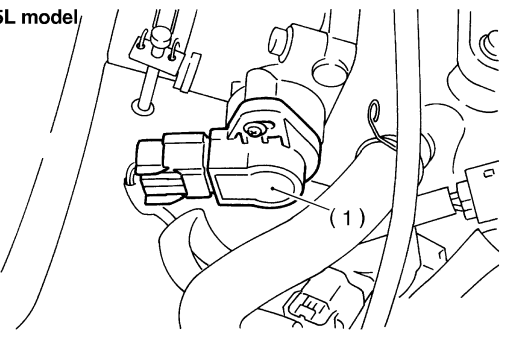
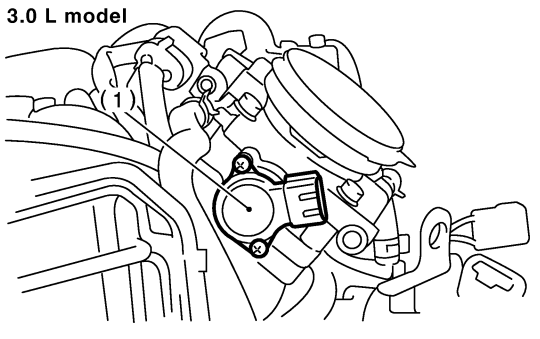
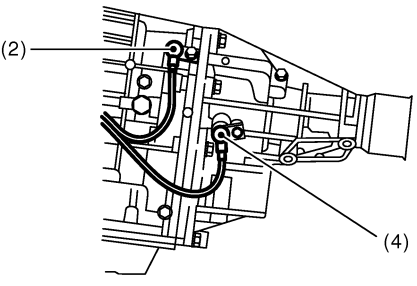
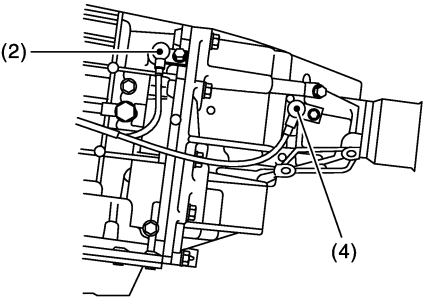
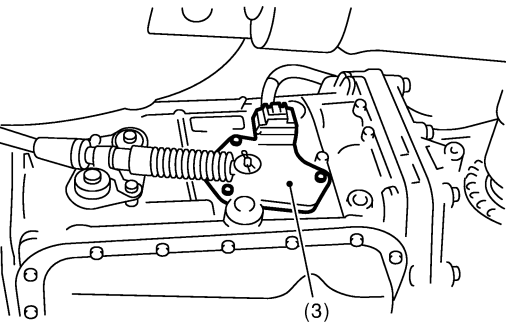
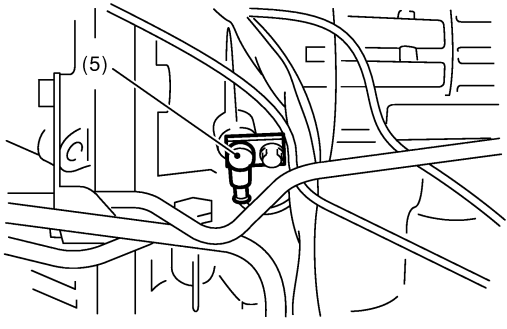
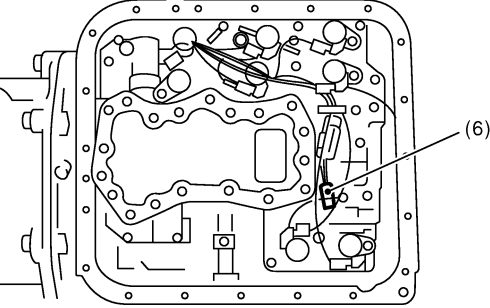
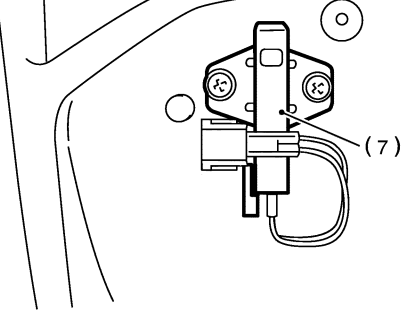
## 2. SENSOR S004507A1302



- |                                |   |  |
|--------------------------------|---|--|
| (1) Throttle position sensor   | (4) Rear vehicle speed sensor             | (6) ATF temperature sensor                 |
| (2) Front vehicle speed sensor | (5) Torque converter turbine speed sensor | (7) Dropping resistor (Without VDC system) |
| (3) Inhibitor switch           |   |  |

# ELECTRICAL COMPONENTS LOCATION

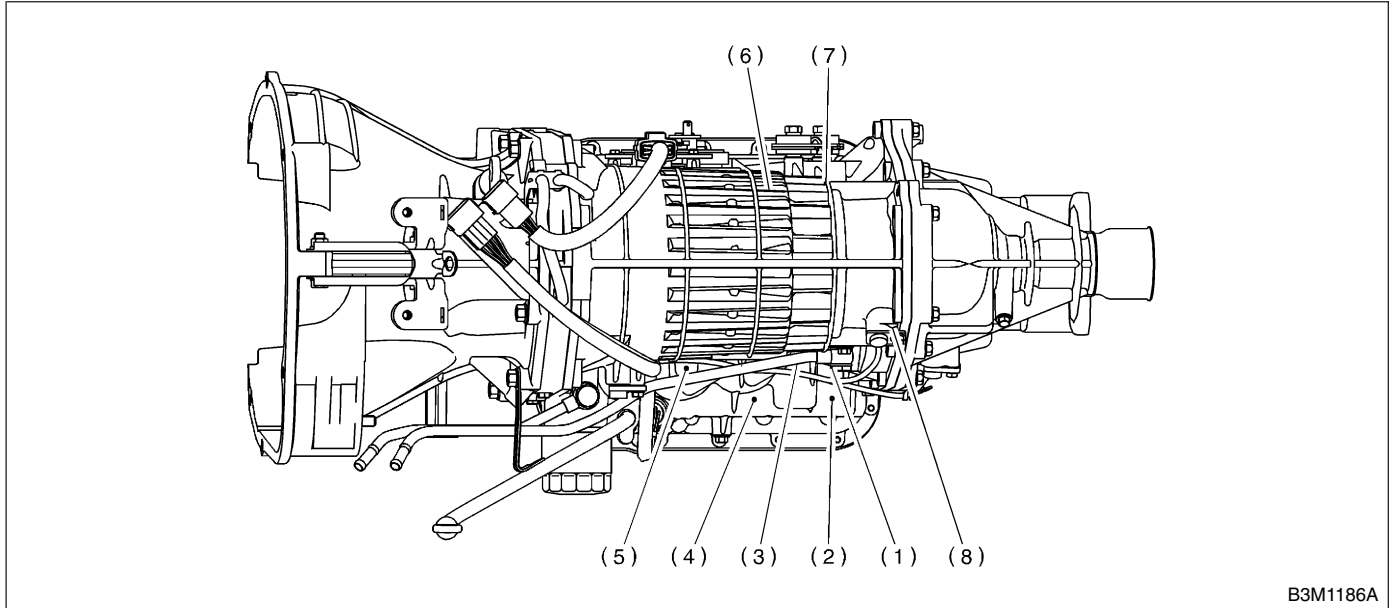
## Automatic Transmission (Diagnostics)

<p>2.5L model</p>  <p>(1)</p> <p>S2M0262C</p>	<p>3.0 L model</p>  <p>B2M4383B</p>
<p>Without VDC system</p>  <p>(2)</p> <p>(4)</p> <p>B3M2240A</p>	<p>With VDC system</p>  <p>(2)</p> <p>(4)</p> <p>B3M2241A</p>
 <p>(3)</p> <p>TR0388</p>	 <p>(5)</p> <p>TR0390</p>
 <p>(6)</p> <p>TR0389</p>	 <p>(7)</p> <p>TR0593</p>

# ELECTRICAL COMPONENTS LOCATION

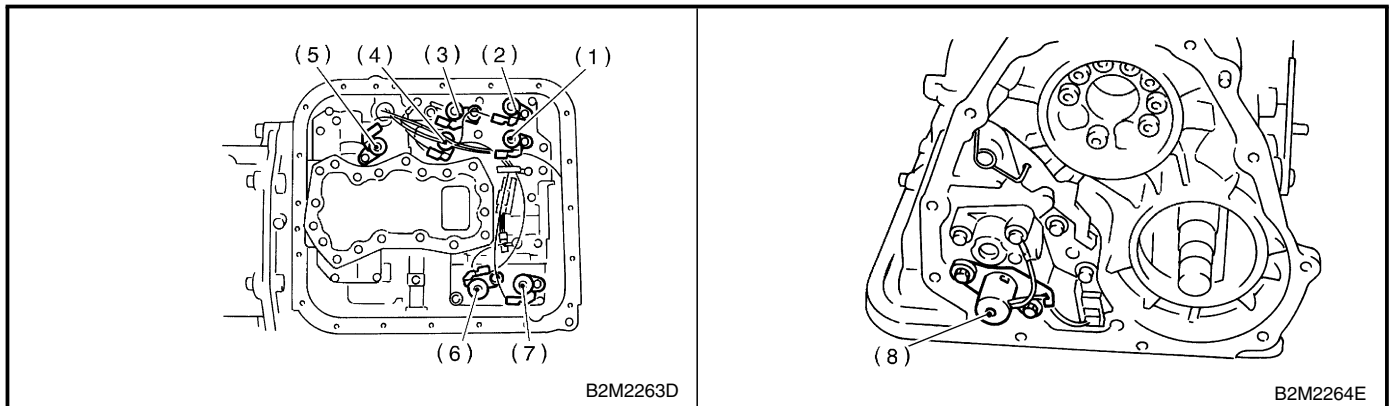
Automatic Transmission (Diagnostics)

## 3. SOLENOID S004507A1303



B3M1186A

- |                                 |                                |                               |
|---------------------------------|--------------------------------|-------------------------------|
| (1) Solenoid 1                  | (4) Low clutch timing solenoid | (7) 2-4 brake timing solenoid |
| (2) Solenoid 2                  | (5) Lock-up duty solenoid      | (8) Transfer duty solenoid    |
| (3) Line pressure duty solenoid | (6) 2-4 brake duty solenoid    |                               |



B2M2263D

B2M2264E