

## 18. ATF Filter S502226

### A: REMOVAL S502226A18

#### 1. 2.5 L MODEL S502226A1804

**NOTE:**

The ATF filter is maintenance free. Replace only when there are obvious dents or damage to the filter or if there is oil leakage from the joining area to the transmission.

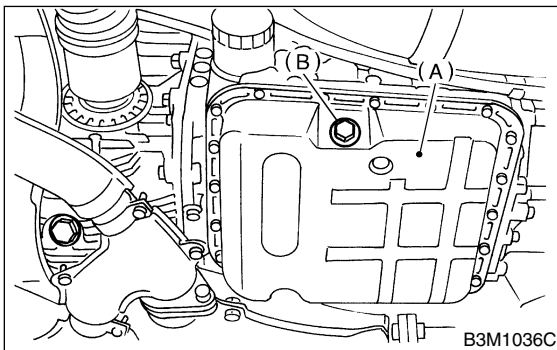
- 1) Drain ATF completely.

**NOTE:**

Tighten ATF drain plug after draining ATF.

**Tightening torque:**

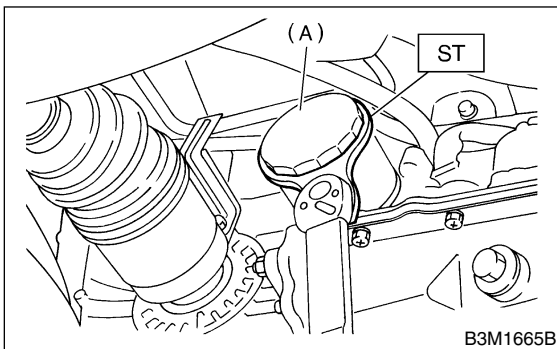
**25 N·m (2.5 kgf·m, 18.1 ft·lb)**



- (A) Oil pan
- (B) Drain plug

- 2) Using ST, remove ATF filter.

ST 498545400 OIL FILTER WRENCH



- (A) ATF filter

- 3) Get new ATF filter and apply a thin coat of ATF to the oil seal.

#### 2. 3.0 L MODEL S502226A1805

### ● ATF Filter

**NOTE:**

The ATF filter is maintenance free. Replace only when there are obvious dents or damage to the filter or if there is oil leakage from the joining area to the transmission.

- 1) Drain ATF completely. <Ref. to AT-9, REPLACEMENT, Automatic Transmission.>

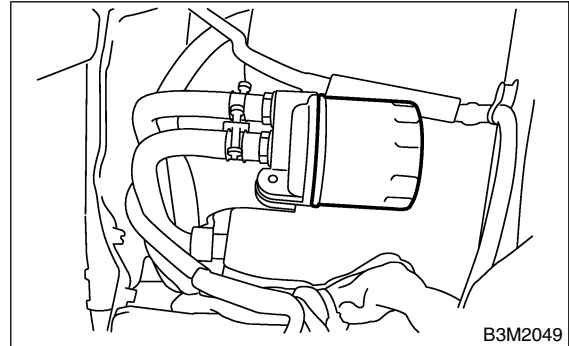
**NOTE:**

Tighten ATF drain plug after draining ATF.

**Tightening torque:**

**25 N·m (2.5 kgf·m, 18.1 ft·lb)**

- 2) Remove front left mud guard. <Ref. to EI-23, REMOVAL, Mud Guard.>
- 3) Using ST, remove ATF filter.  
ST 498548500 OIL FILTER WRENCH



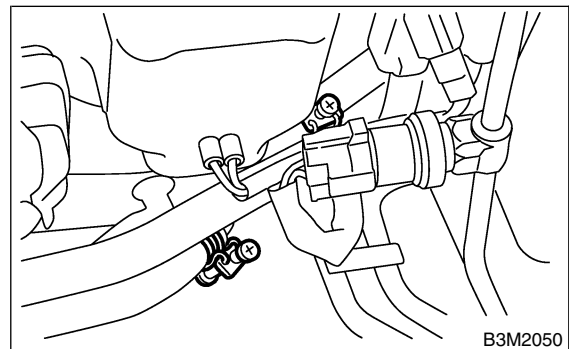
- 4) Get new ATF filter and apply a thin coat of ATF to the oil seal

### ● ATF Filter Assembly

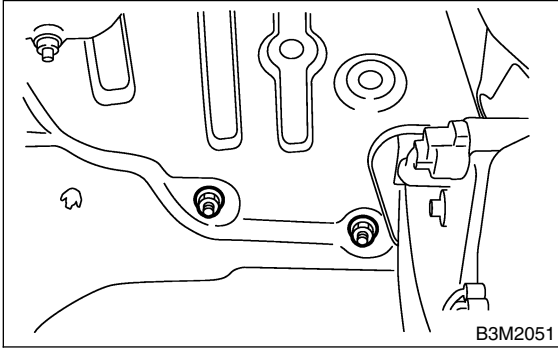
- 1) Remove battery.
- 2) Remove front left mud guard. <Ref. to EI-23, REMOVAL, Mud Guard.>
- 3) Release clamp of IN, OUT of oil filter hose, and remove hose from pipe.

**NOTE:**

- Plug the pipe.
- Put a mark etc., to distinguish IN, OUT on pipe and hose.



4) Remove oil filter bracket installation nut.



- 5) Remove ATF filter assembly.
- 6) Using ST, remove ATF filter.  
ST 498548500 OIL FILTER WRENCH
- 7) Get new ATF filter and apply a thin coat of ATF to the oil seal.

## B: INSTALLATION S502226A11

### 1. 2.5 L MODEL S502226A1104

- 1) Install ATF filter. Turn it by hand, being careful not to damage oil seal.
- 2) Using ST, tighten ATF filter to transmission case.  
Calculate ATF filter torque specifications using the following formula.  
 $T2 = L2 / (L1 + L2) \times T1$   
T1: 14 N·m (1.4 kgf-m, 10.1 ft-lb)  
[Required torque setting]  
T2: Tightening torque  
L1: ST length 0.078 m (3.07 in)  
L2: Torque wrench length  
Example:

Torque wrench length mm (in)	Tightening torque N·m (kgf-m, ft-lb)
100 (3.94)	7.9 (0.81, 5.9)
150 (5.91)	9.2 (0.94, 6.8)
200 (7.87)	10.0 (1.0, 7.2)

NOTE:  
Align ST with torque wrench while tightening ATF filter.

- ST 498545400 OIL FILTER WRENCH
- 3) Add ATF.

### 2. 3.0 L MODEL S502226A1105

#### ● ATF Filter

- 1) Install AT oil filter. Turn it by hand, being careful not to damage oil seal.
- 2) Using ST, tighten AT oil filter to transmission case.  
Calculate AT filter torque specifications using the following formula.  
 $T2 = L2 / (L1 + L2) \times T1$

- T1: 14 N·m (1.4 kgf-m, 10.1 ft-lb)  
[Required torque setting]
- T2: Tightening torque
- L1: ST length 0.078 m (3.07 in)
- L2: Torque wrench length
- Example:

Torque wrench length mm (in)	Tightening torque N·m (kgf-m, ft-lb)
100 (3.94)	7.9 (0.81, 5.9)
150 (5.91)	9.2 (0.94, 6.8)
200 (7.87)	10.0 (1.0, 7.2)

NOTE:  
Align ST with torque wrench while tightening AT oil filter.

- ST 498545400 OIL FILTER WRENCH
- 3) Install front left mud guard. <Ref. to EI-23, INSTALLATION, Mud Guard.>
- 4) Add ATF.
- 5) Inspect level of ATF. <Ref. to AT-9, Automatic Transmission Fluid.>

#### ● ATF Filter Assembly

- 1) Install ATF filter to bracket.

**Tightening torque:**  
**14 N·m (1.4 kgf-m, 10 ft-lb)**

- 2) Install ATF filter assembly to vehicle.

**Tightening torque:**  
**16 N·m (1.6 kgf-m, 12 ft-lb)**

- 3) Install AT oil filter. Turn it by hand, being careful not to damage oil seal.
- 4) Using ST, tighten AT oil filter to transmission case.

Calculate AT filter torque specifications using the following formula.

- $T2 = L2 / (L1 + L2) \times T1$
- T1: 14 N·m (1.4 kgf-m, 10.1 ft-lb)  
[Required torque setting]

- T2: Tightening torque
- L1: ST length 0.078 m (3.07 in)
- L2: Torque wrench length

Example:

Torque wrench length mm (in)	Tightening torque N·m (kgf-m, ft-lb)
100 (3.94)	7.9 (0.81, 5.9)
150 (5.91)	9.2 (0.94, 6.8)
200 (7.87)	10.0 (1.0, 7.2)

NOTE:  
Align ST with torque wrench while tightening AT oil filter.

- ST 498545400 OIL FILTER WRENCH
- 5) Install hoses to pipe.

# ATF FILTER

Automatic Transmission

---

## NOTE:

Align the mark on the hose with the one on the pipe.

6) Install front left mud guard.

<Ref. to EI-23, INSTALLATION, Mud Guard.>

7) Add ATF.

8) Inspect level of ATF. <Ref. to AT-9, Automatic Transmission Fluid.>

## **C: INSPECTION** S502226A10

Replace the part if any defect is found from the inspection.

Check for rust, hole, ATF leaks, and other damage.