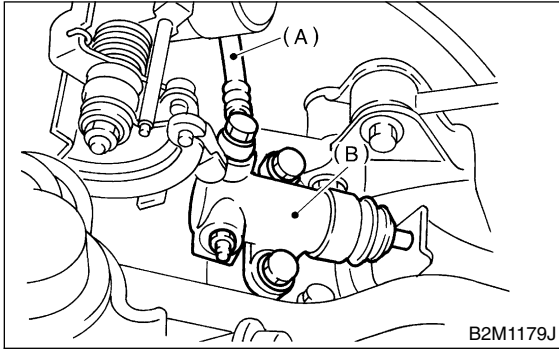


5. Operating Cylinder S504253

A: REMOVAL S504253A18

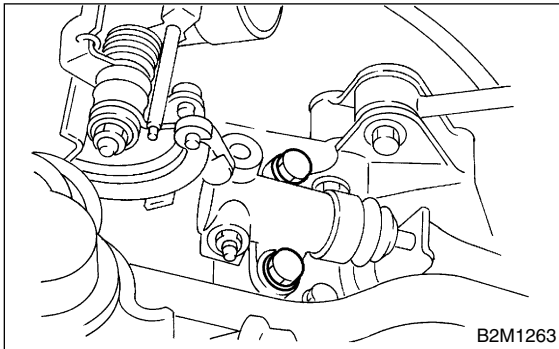
- 1) Remove air cleaner case. <Ref. to IN-6, REMOVAL, Air Cleaner Case.>
- 2) Remove clutch hose from operating cylinder.

CAUTION:
Cover hose joint to prevent clutch fluid from flowing out.



- (A) Clutch hose
- (B) Operating cylinder

- 3) Remove operating cylinder from transmission.



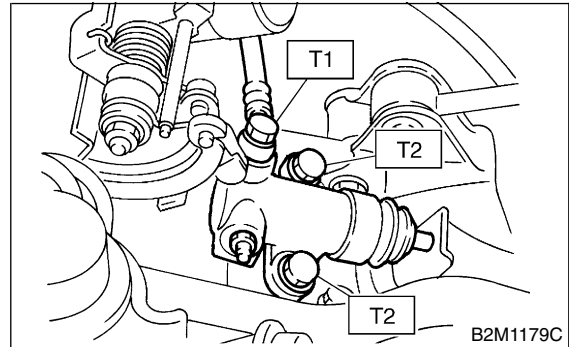
B: INSTALLATION S504253A11

- 1) Install in the reverse order of removal.

NOTE:
Before installing operating cylinder, apply grease (SUNLIGHT 2: P/N 003602010) to contact point of release lever and operating cylinder.

Tightening torque:

- T1: 18 N·m (1.8 kgf-m, 13.0 ft-lb)
- T2: 37 N·m (3.8 kgf-m, 27.5 ft-lb)



- 2) After bleeding air from operating cylinder, ensure that clutch operates properly. <Ref. to CL-20, Clutch Fluid Air Bleeding.>

C: INSPECTION S504253A10

- 1) Check operating cylinder for damage. If operating cylinder is damaged, replace it.
- 2) Check operating cylinder for fluid leakage or damage on boot. If any leakage or damage is found, replace operating cylinder.