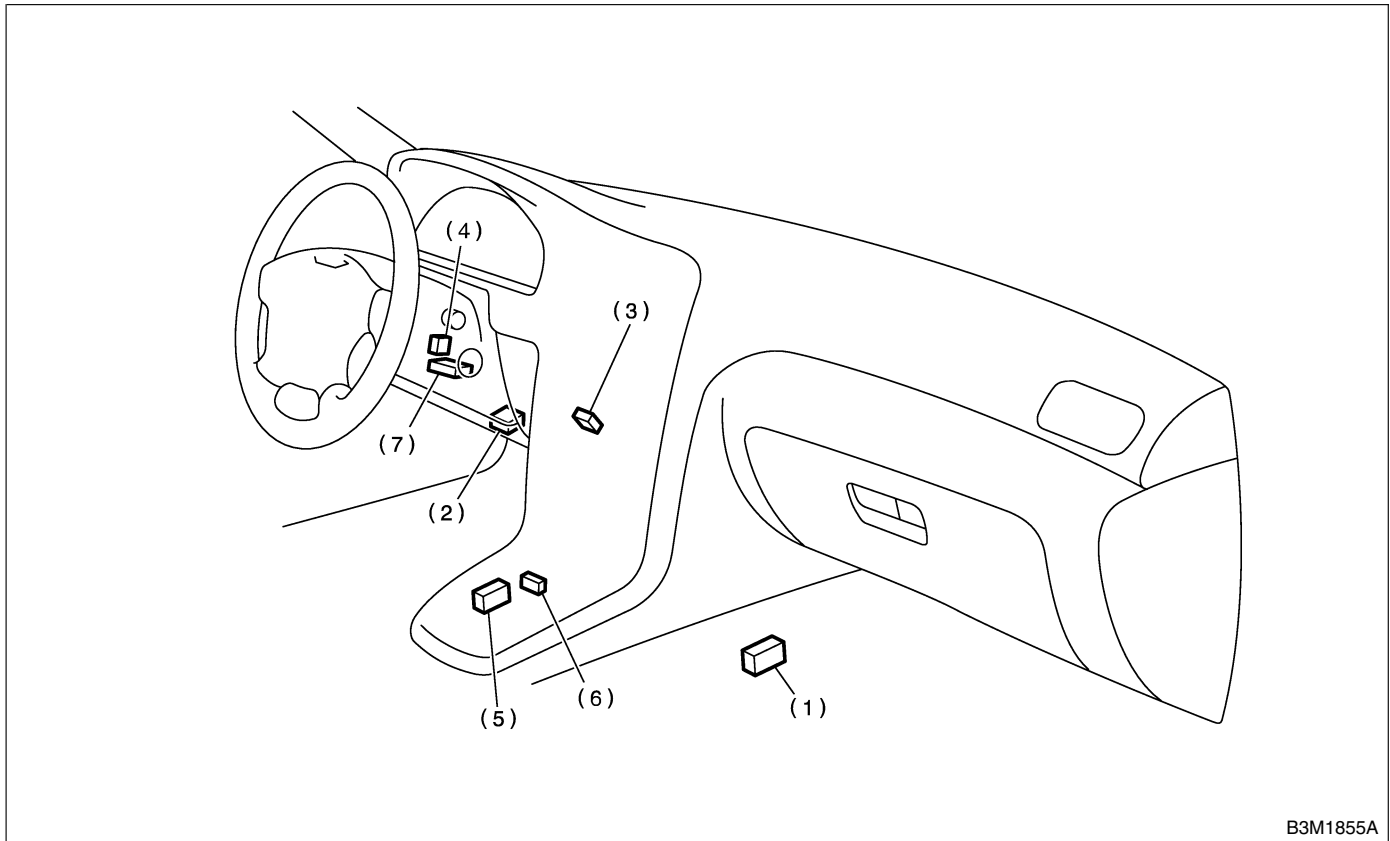


# ELECTRICAL COMPONENT

Control Systems

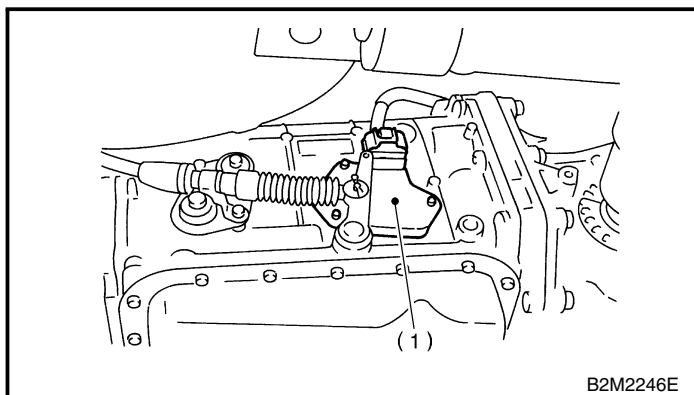
## 2. Electrical Component S501547

### A: LOCATION S501547A13

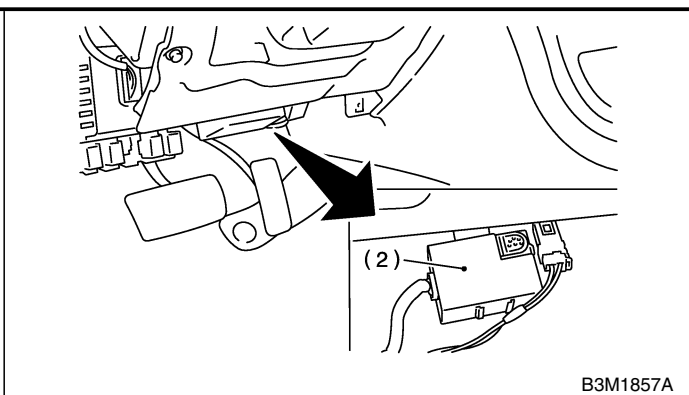


B3M1855A

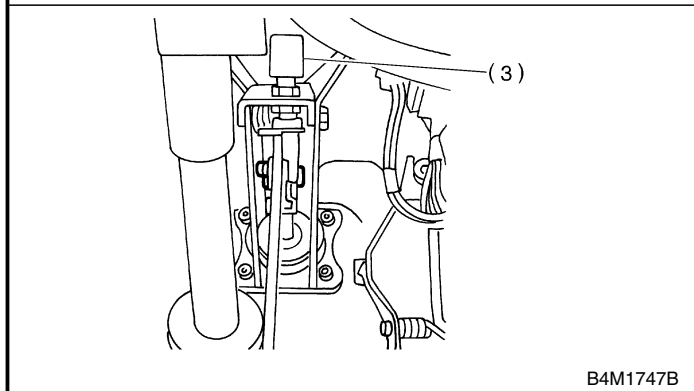
- |                             |                         |                       |
|-----------------------------|-------------------------|-----------------------|
| (1) Inhibitor switch        | (4) Key warning switch  | (7) Key lock solenoid |
| (2) AT shift control module | (5) Shift lock solenoid |                       |
| (3) Stop light switch       | (6) "P" position switch |                       |



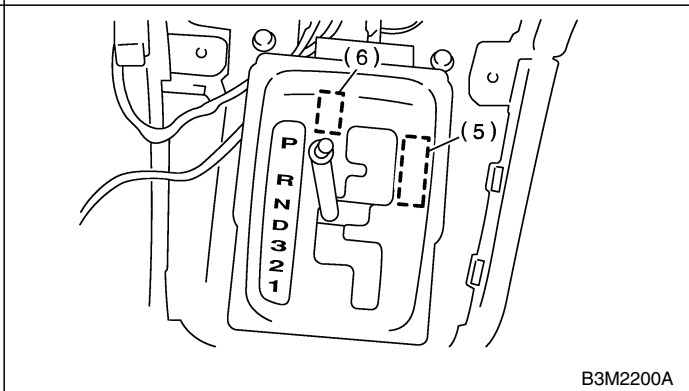
B2M2246E



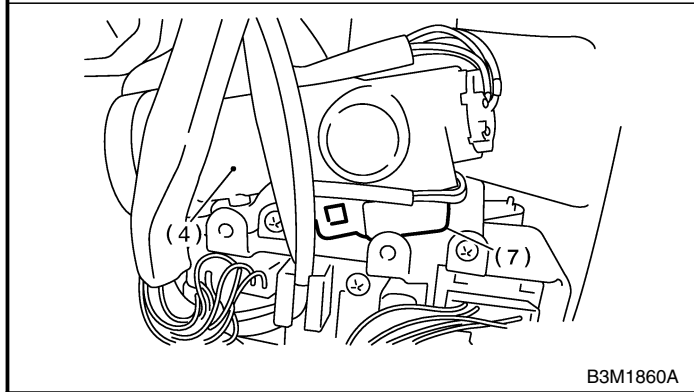
B3M1857A



B4M1747B



B3M2200A



B3M1860A

