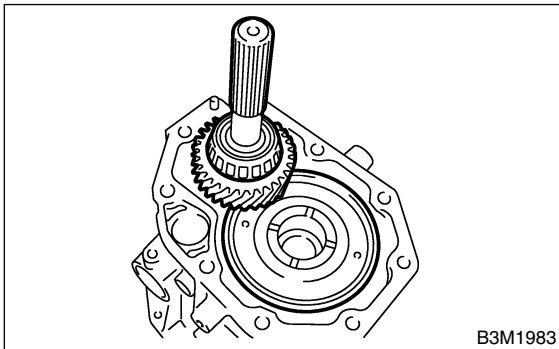


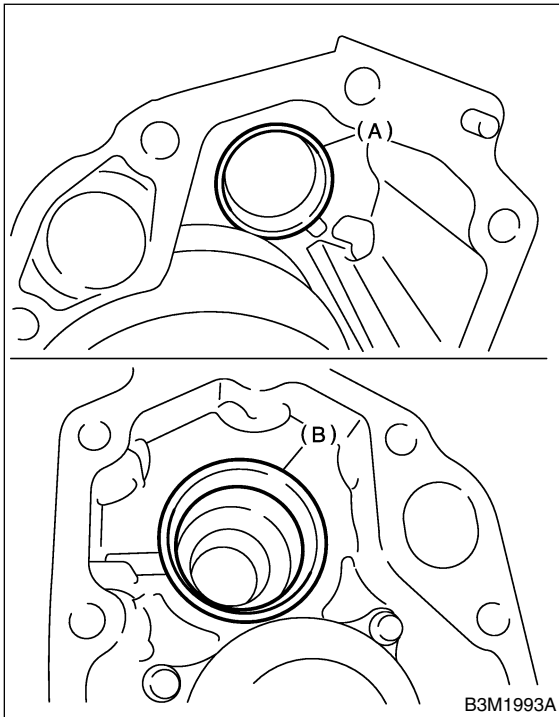
11. Transfer Driven Gear S503223

A: REMOVAL S503223A18

- 1) Remove the manual transmission assembly from vehicle. <Ref. to MT-27, REMOVAL, Manual Transmission Assembly.>
- 2) Remove back-up light switch and neutral position switch. <Ref. to MT-35, REMOVAL, Switches and Harness.>
- 3) Remove transfer case with extension case assembly. <Ref. to MT-39, REMOVAL, Transfer Case and Extension Case Assembly.>
- 4) Remove extension case assembly.
- 5) Remove transfer driven gear.



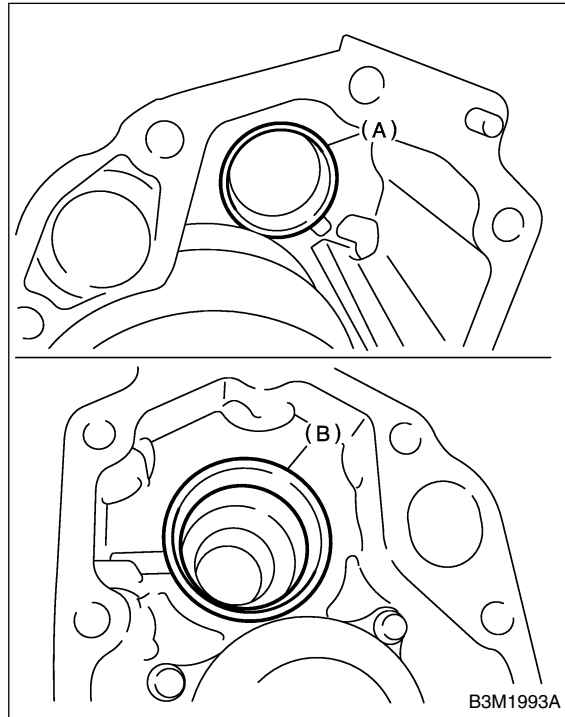
- 6) Remove bearing cup from extension case and transfer case.



- (A) Bearing cup (transfer case)
 (B) Bearing cup (extension case)

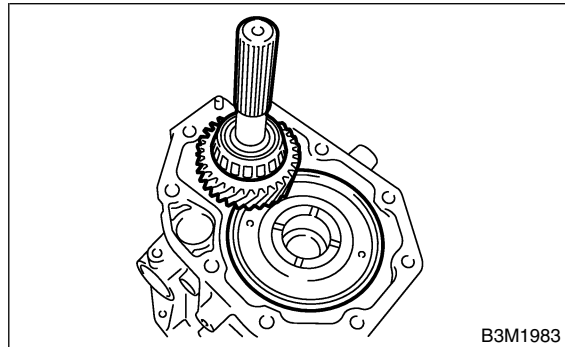
B: INSTALLATION S503223A11

- 1) Install bearing cup to extension case and transfer case.



- (A) Bearing cup (transfer case)
 (B) Bearing cup (extension case)

- 2) Install transfer driven gear.



- 3) Install transfer case and extension case assembly. <Ref. to MT-39, INSTALLATION, Transfer Case and Extension Case Assembly.>
- 4) Install back-up light switch and neutral position switch. <Ref. to MT-35, INSTALLATION, Switches and Harness.>
- 5) Install the manual transmission assembly to vehicle. <Ref. to MT-29, INSTALLATION, Manual Transmission Assembly.>

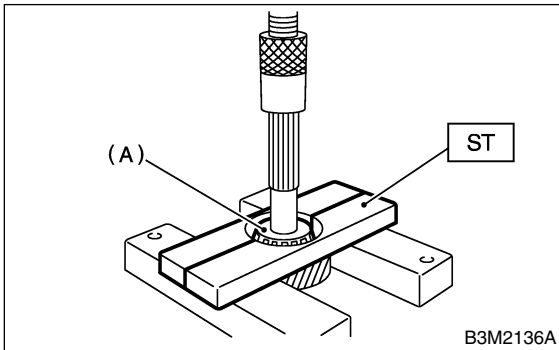
TRANSFER DRIVEN GEAR

Manual Transmission and Differential

C: DISASSEMBLY S503223A06

1) Using ST, remove roller bearing (extension case side).

ST 498077000 REMOVER

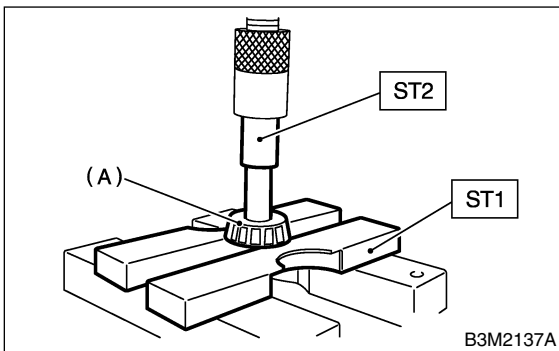


(A) Roller bearing

2) Using ST1 and ST2, remove roller bearing (transfer case side).

ST1 498077000 REMOVER

ST2 899864100 REMOVER



(A) Roller bearing

D: ASSEMBLY S503223A02

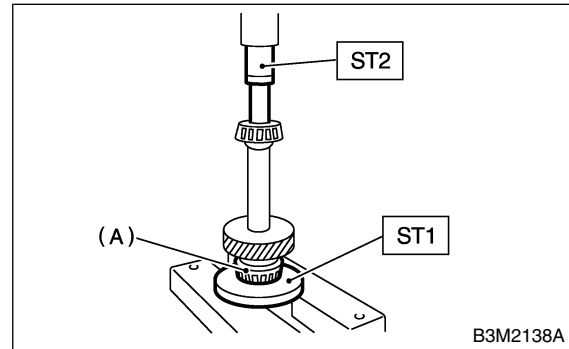
1) Using ST, install roller bearing (extension case side).

ST1 398177700 INSTALLER

ST2 899864100 REMOVER

CAUTION:

Do not apply pressure in excess of 10 kN (1 ton, 1.1 US ton, 1.0 Imp ton)



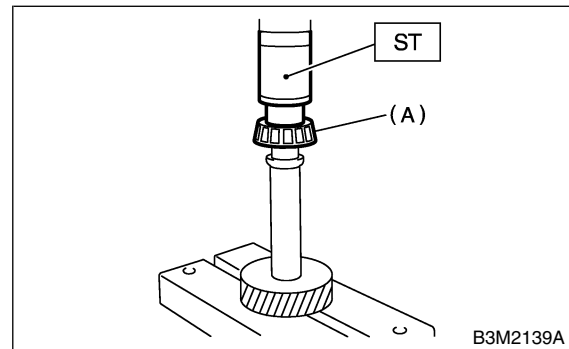
(A) Roller bearing

2) Using ST, install roller bearing (transfer case side).

ST 499757002 INSTALLER

CAUTION:

Do not apply pressure in excess of 10 kN (1 ton, 1.1 US ton, 1.0 Imp ton)



(A) Roller bearing

E: INSPECTION S503223A10

1) Bearings

Replace bearings in the following cases:

- Broken or rusty bearings
- Worn or damaged
- Bearings that fail to turn smoothly or make abnormal noise when turned after gear oil lubrication.

2) Driven gear

Replace drive gear in the following cases:

- If their tooth surfaces and shaft are excessively broken or damaged.