

GROUND DISTRIBUTION

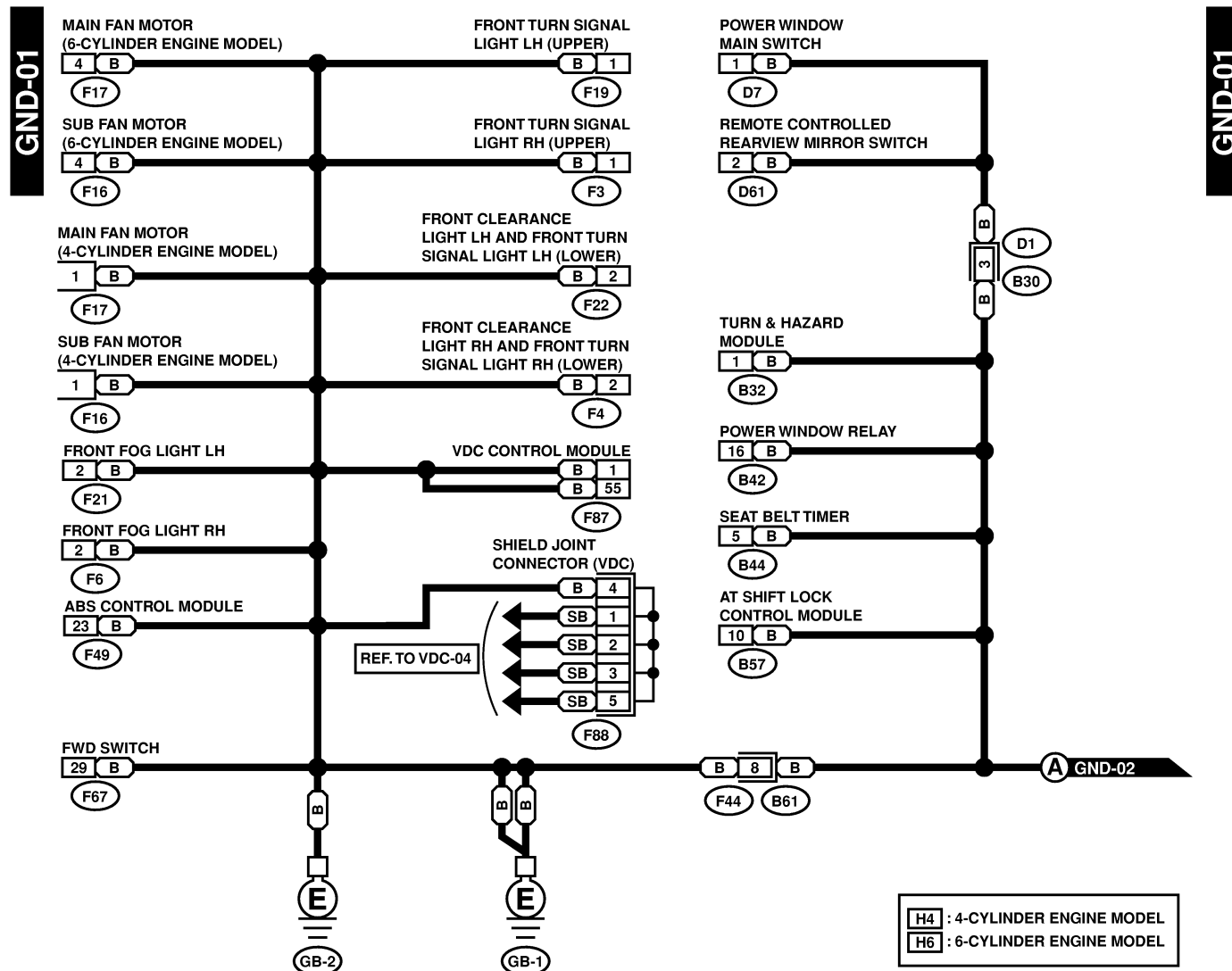
Wiring System

5. Ground Distribution

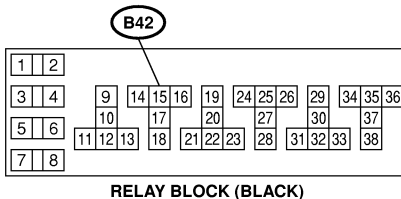
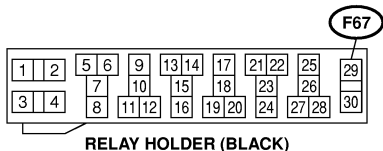
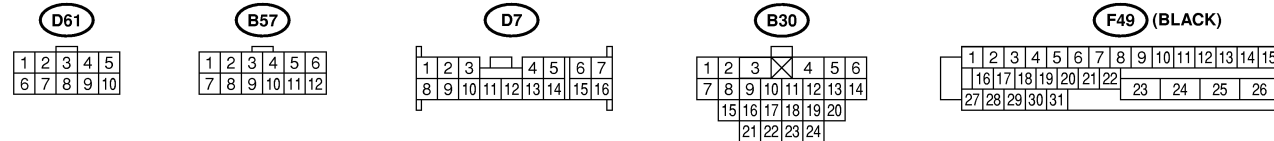
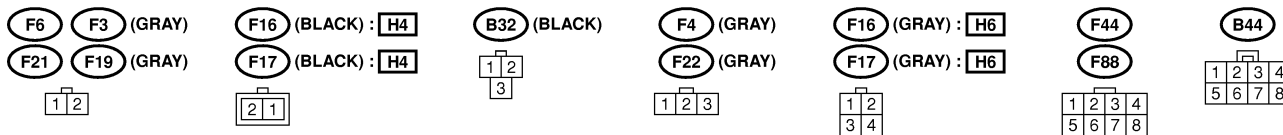
S903472

A: SCHEMATIC

S903472A21



H4 : 4-CYLINDER ENGINE MODEL
H6 : 6-CYLINDER ENGINE MODEL



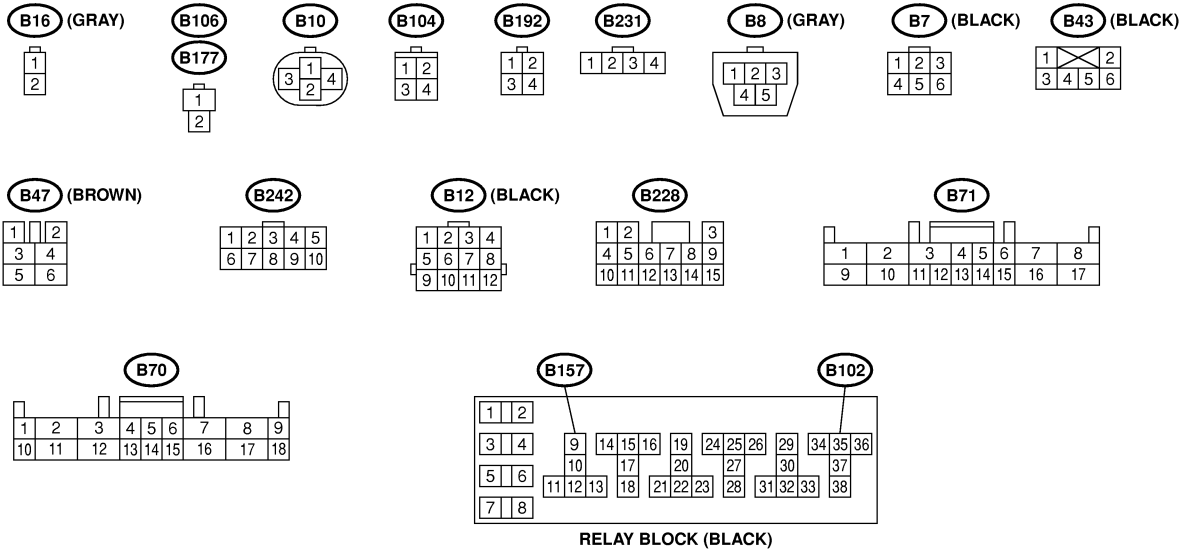
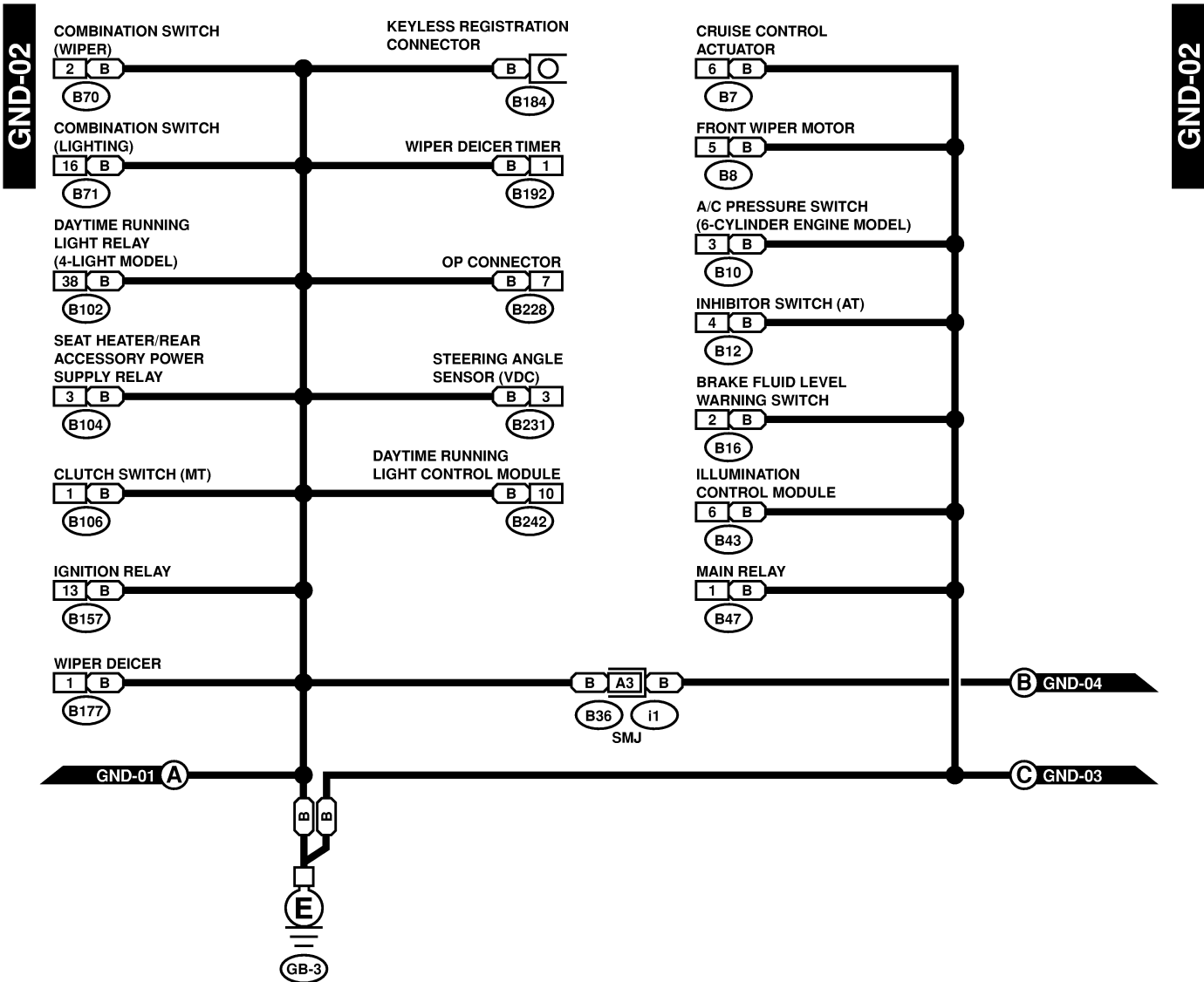
F87 (BLACK)

1	2	3	4	5	6	7	8	9	10	11	12	13	14	15	16	17	18	19	20	21	22	23	24	25	26	27	28
29	30	31	32	33	34	35	36	37	38	39	40	41	42	43	44	45	46	47	48	49	50	51	52	53	54	55	
56	57	58	59	60	61	62	63	64	65	66	67	68	69	70	71	72	73	74	75	76	77	78	79	80	81	82	83

BU04-23A

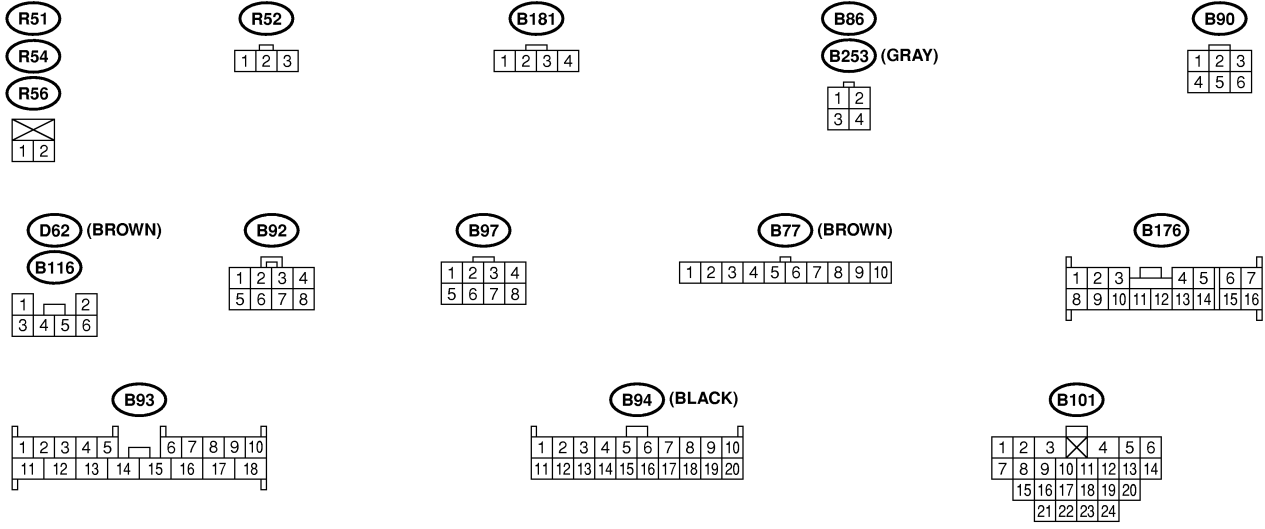
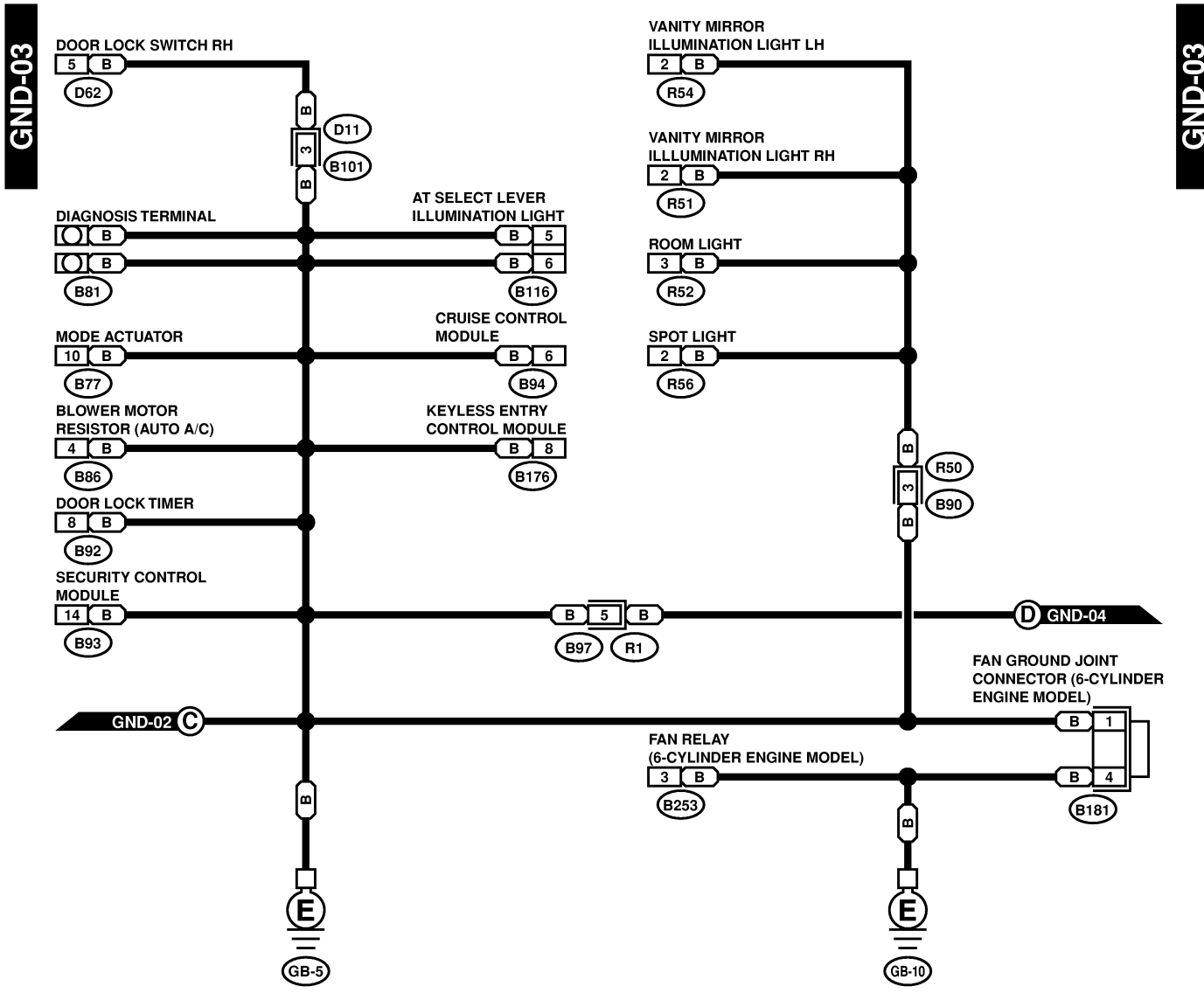
GROUND DISTRIBUTION

Wiring System



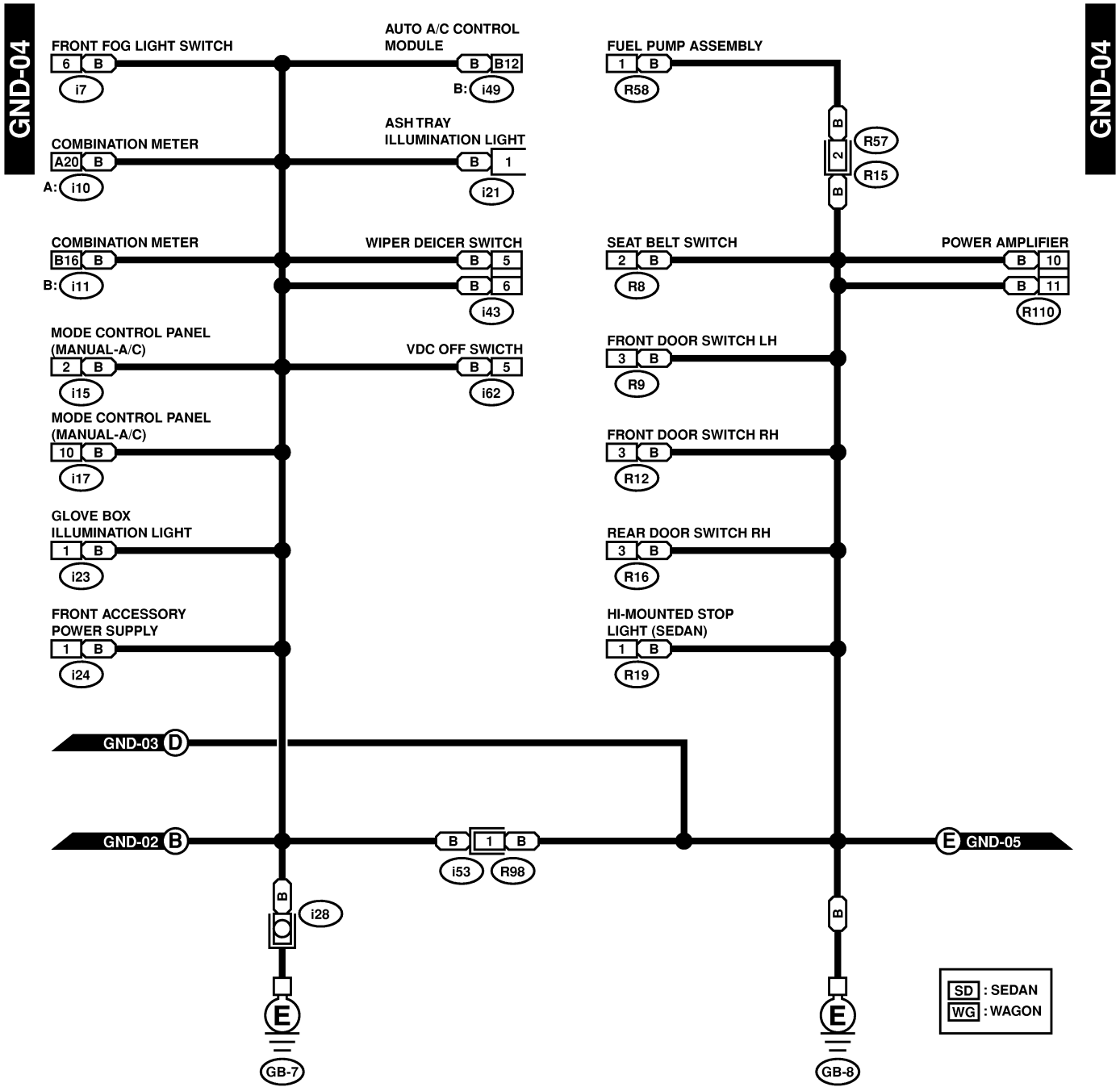
GROUND DISTRIBUTION

Wiring System

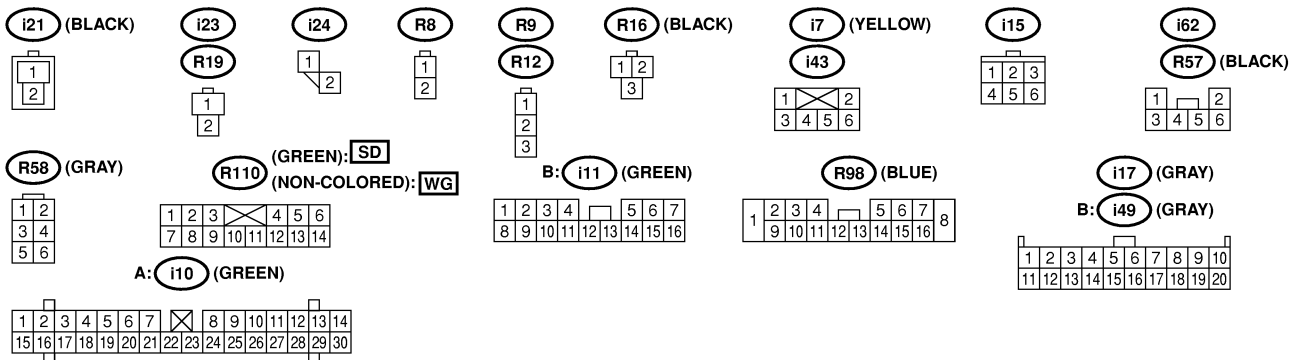


GROUND DISTRIBUTION

Wiring System

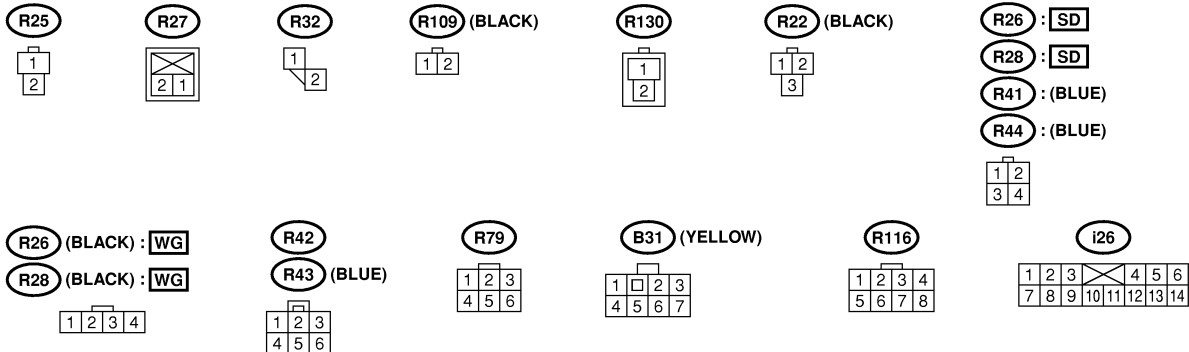
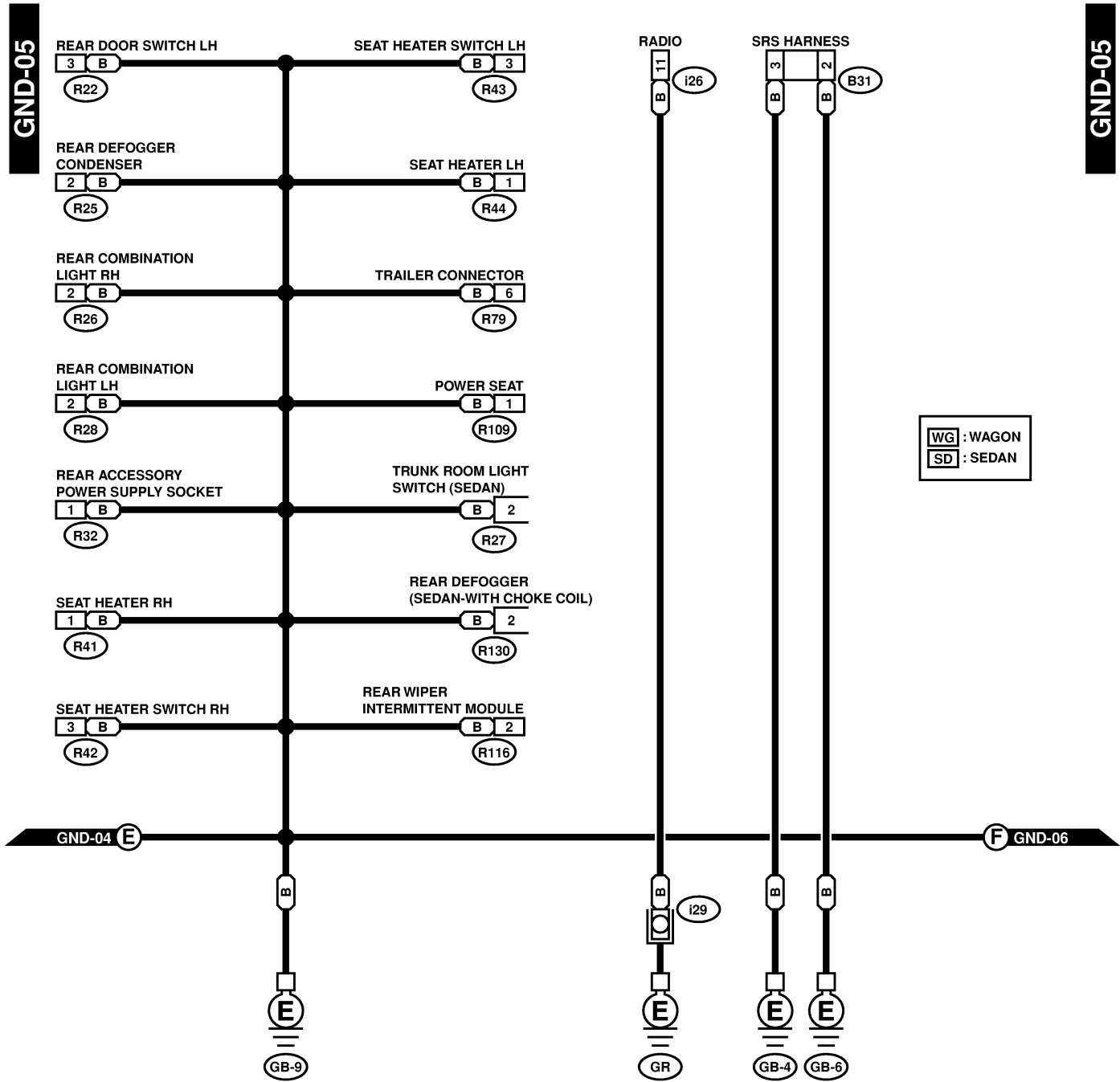


SD : SEDAN
WG : WAGON



GROUND DISTRIBUTION

Wiring System

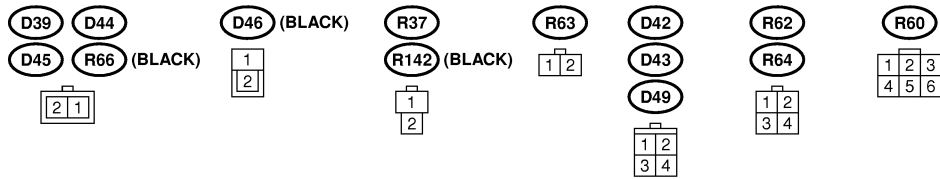
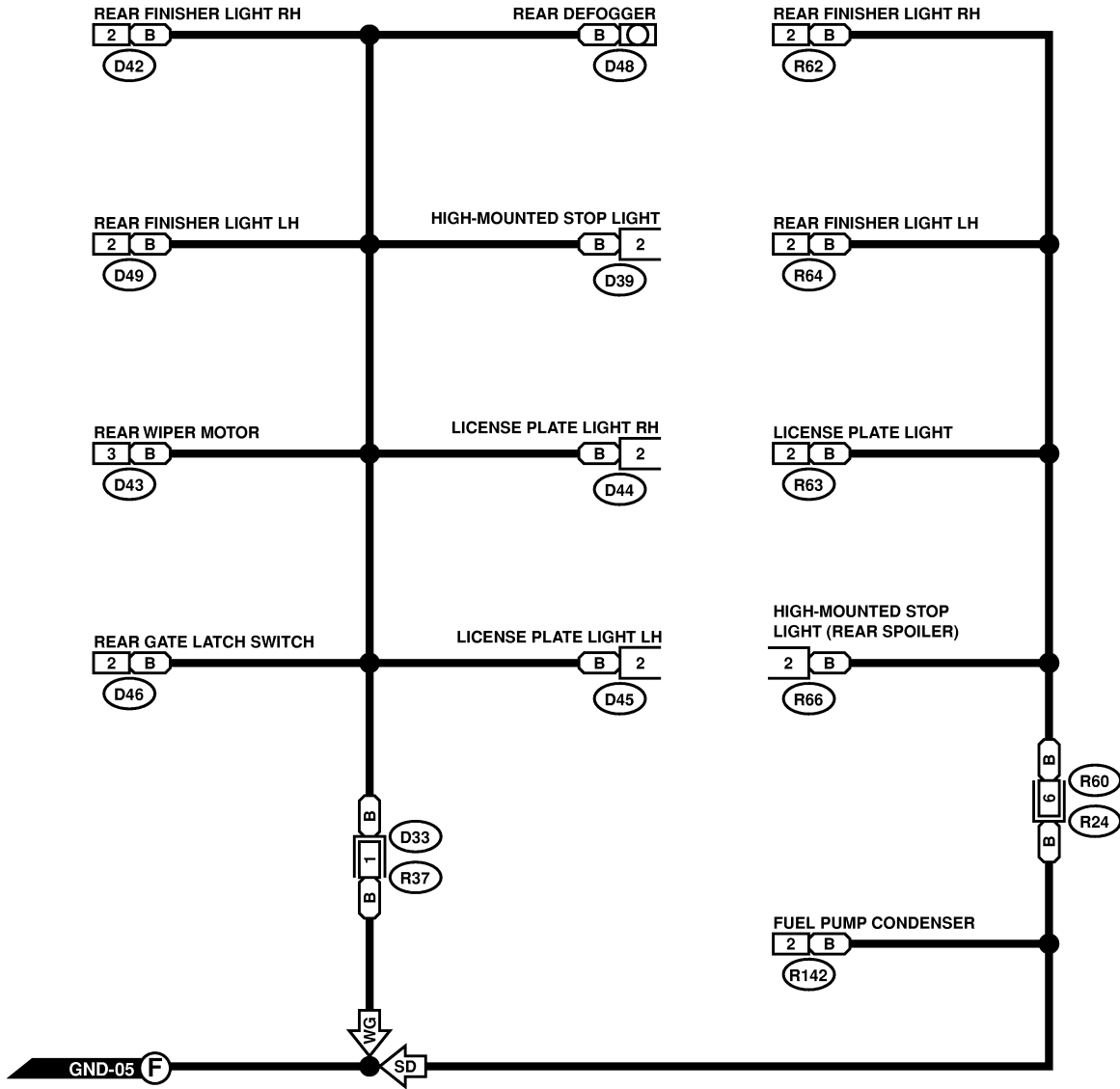
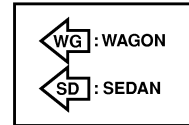


GROUND DISTRIBUTION

Wiring System

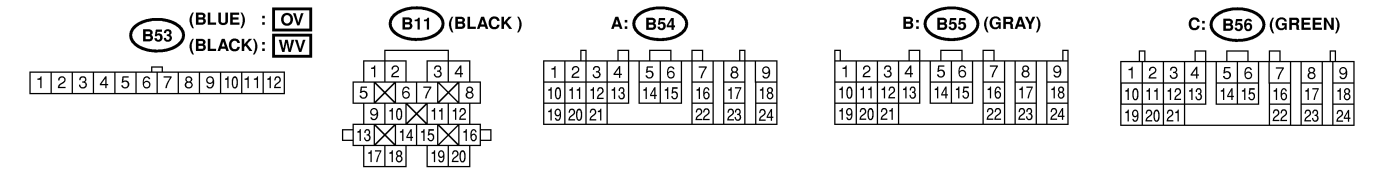
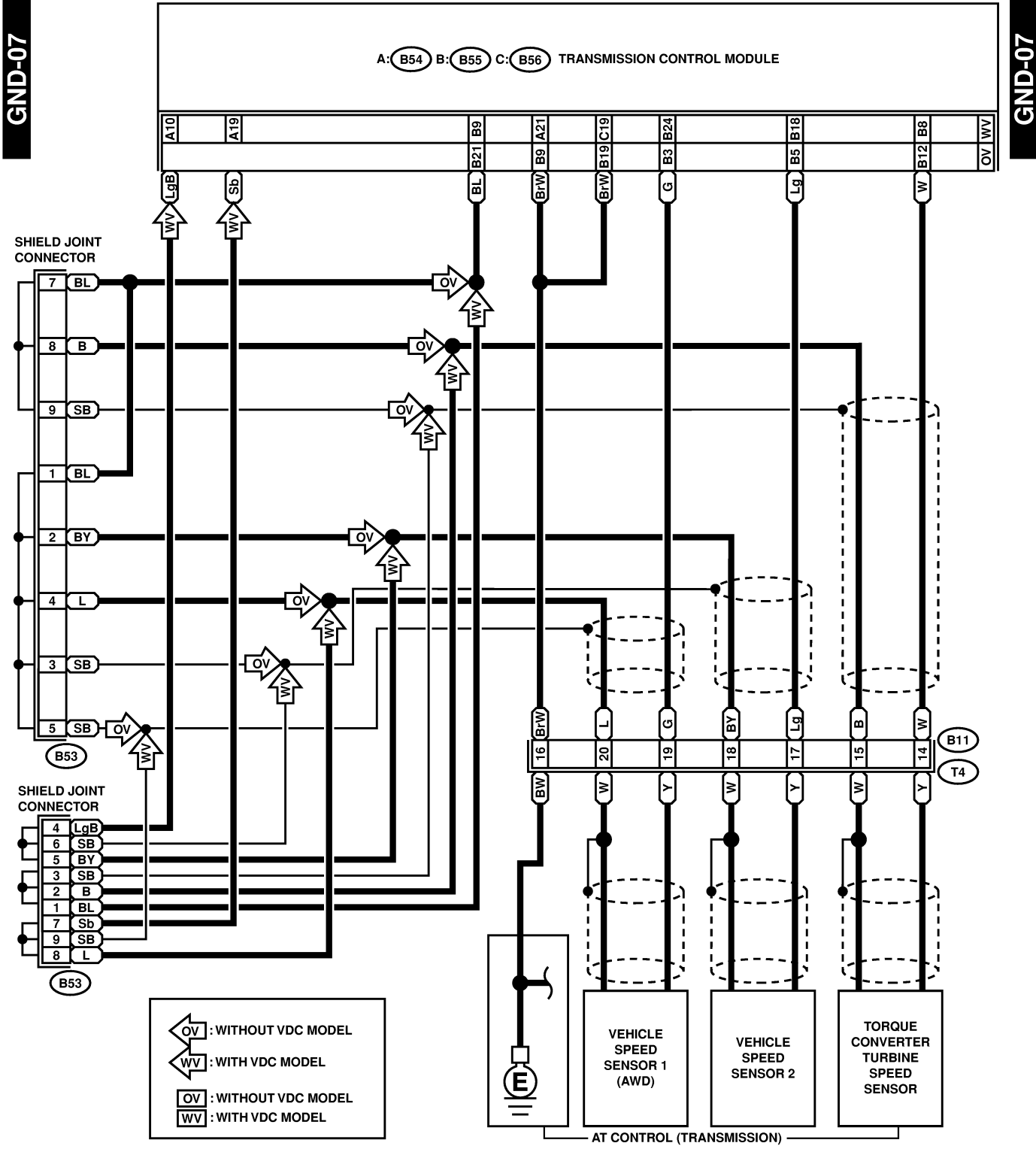
GND-06

GND-06



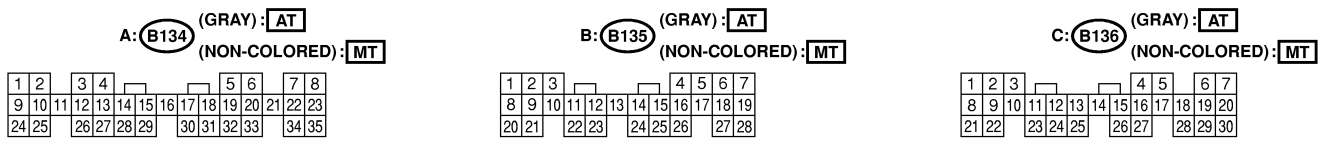
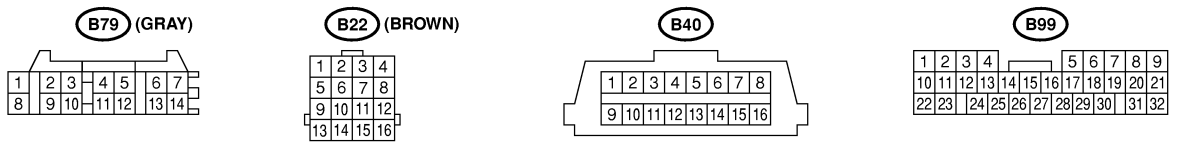
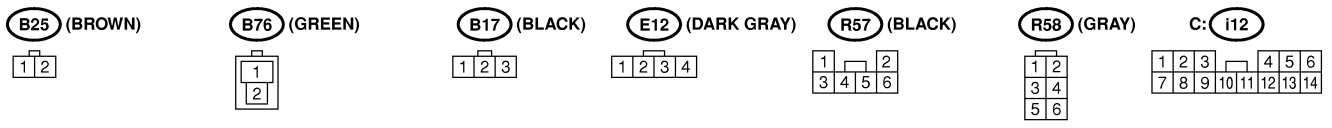
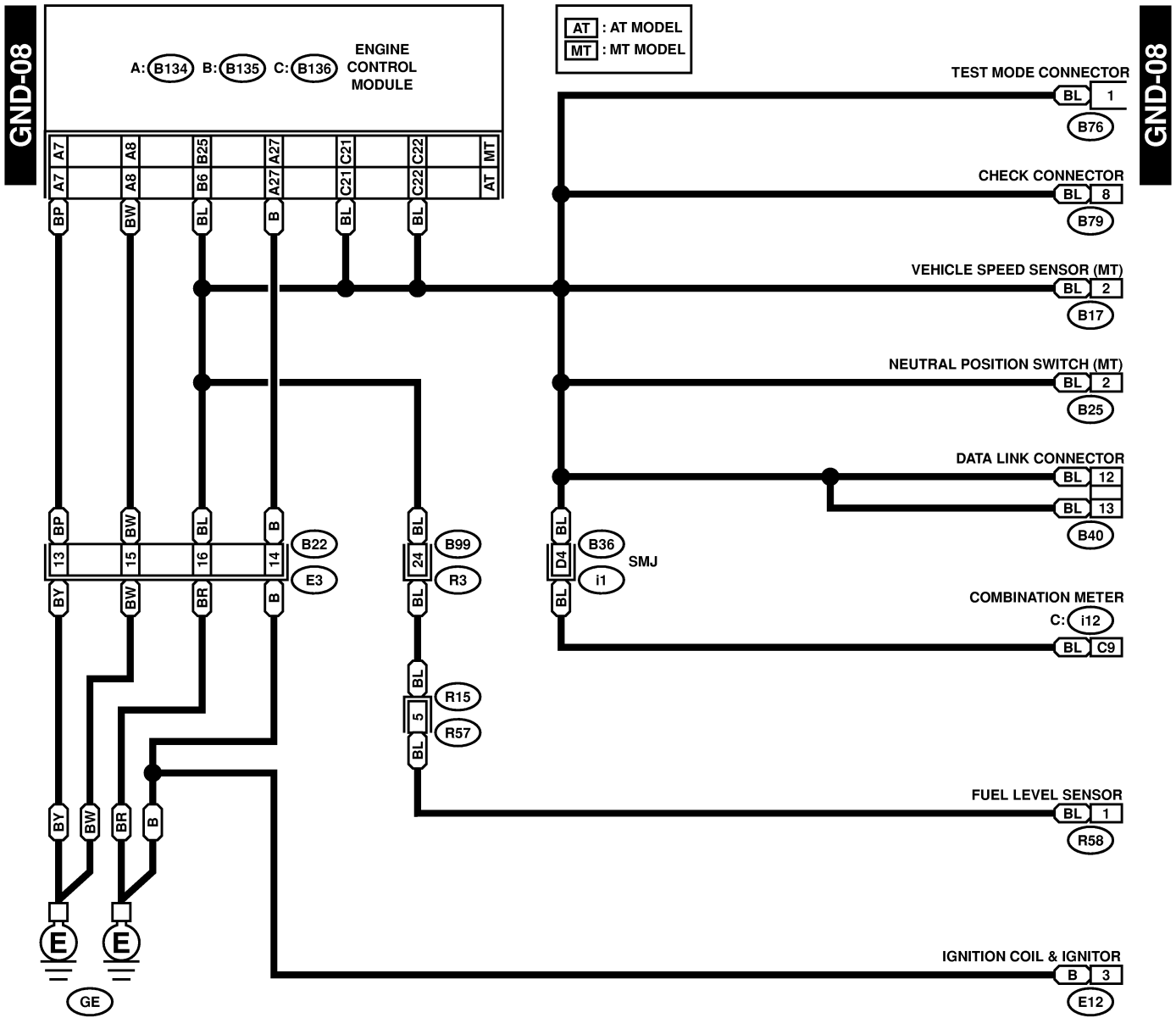
GROUND DISTRIBUTION

Wiring System



GROUND DISTRIBUTION

Wiring System

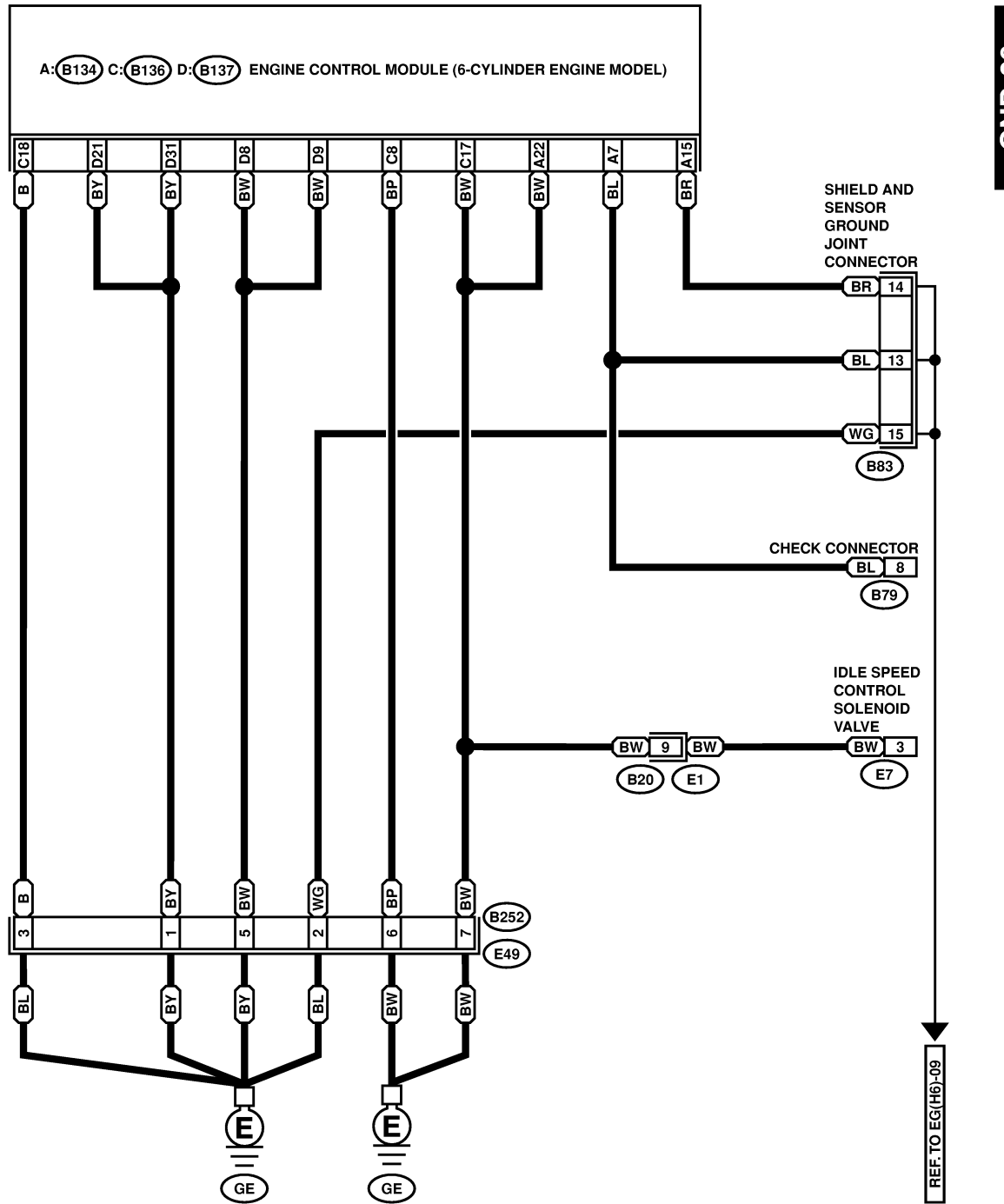


GROUND DISTRIBUTION

Wiring System

GND-09

GND-09



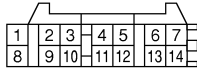
(E7) (GRAY)



(B252) (DARK GRAY)



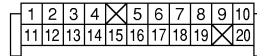
(B79) (GRAY)



(B20) (GRAY)



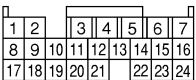
(B83)



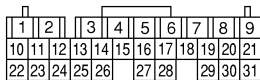
A: (B134)



C: (B136)



D: (B137)



MEMO: