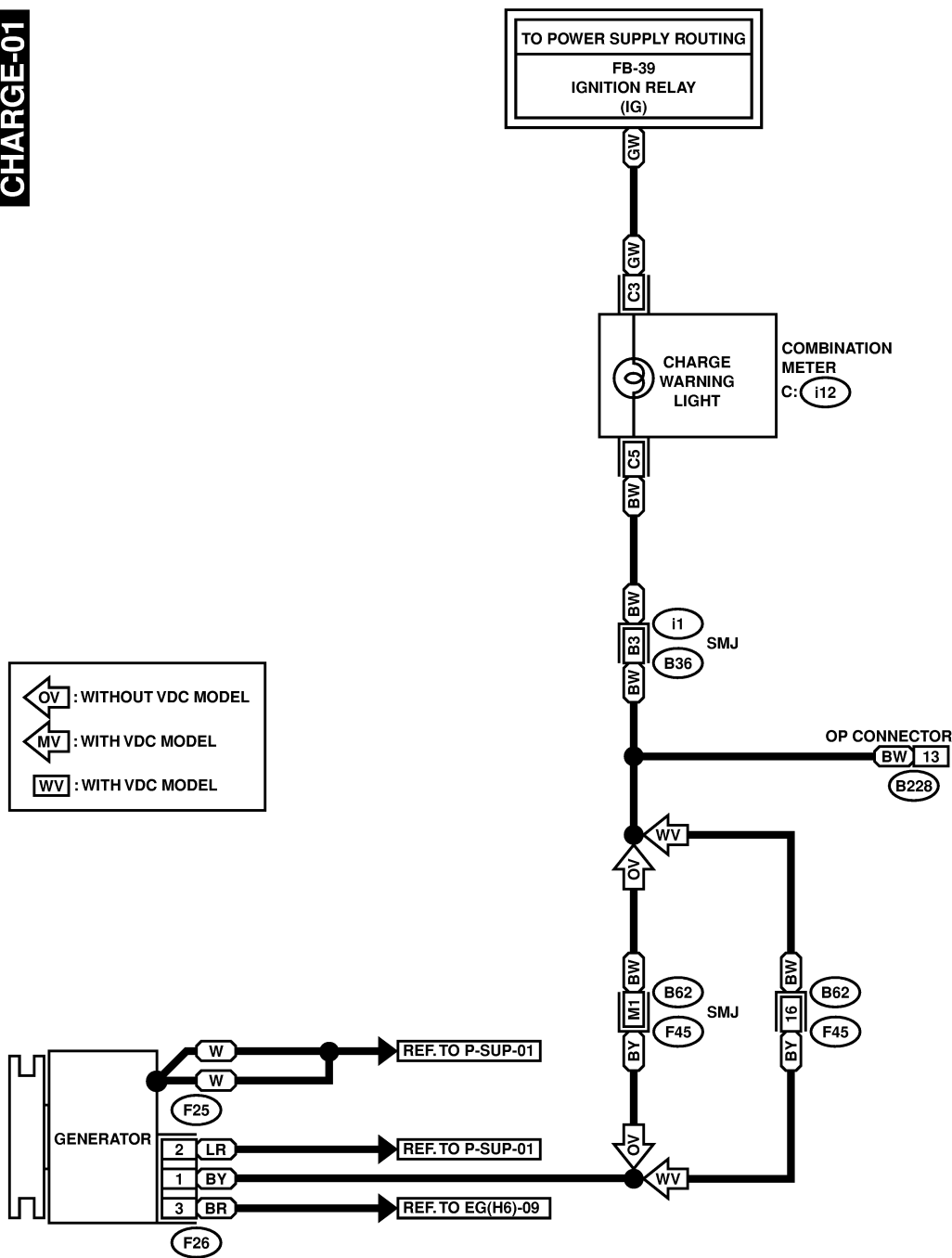


## 13. Charging System S903487

### A: SCHEMATIC S903487A21

**CHARGE-01**

**CHARGE-01**



F26 (GREEN)

|   |   |   |
|---|---|---|
| 1 | 2 | 3 |
|---|---|---|

C: i12 (GREEN)

|    |    |   |    |    |    |
|----|----|---|----|----|----|
| 1  | 2  | 3 | 4  | 5  | 6  |
| 7  | 8  | 9 | 10 | 11 | 12 |
| 13 | 14 |   |    |    |    |

B228

|    |    |    |    |
|----|----|----|----|
| 1  | 2  | 3  |    |
| 4  | 5  | 6  | 7  |
| 8  | 9  | 10 | 11 |
| 12 | 13 | 14 | 15 |

F45 (BLUE) : WV

|   |    |    |    |    |    |    |    |
|---|----|----|----|----|----|----|----|
| 1 | 2  | 3  | 4  | 5  | 6  | 7  | 8  |
| 9 | 10 | 11 | 12 | 13 | 14 | 15 | 16 |