

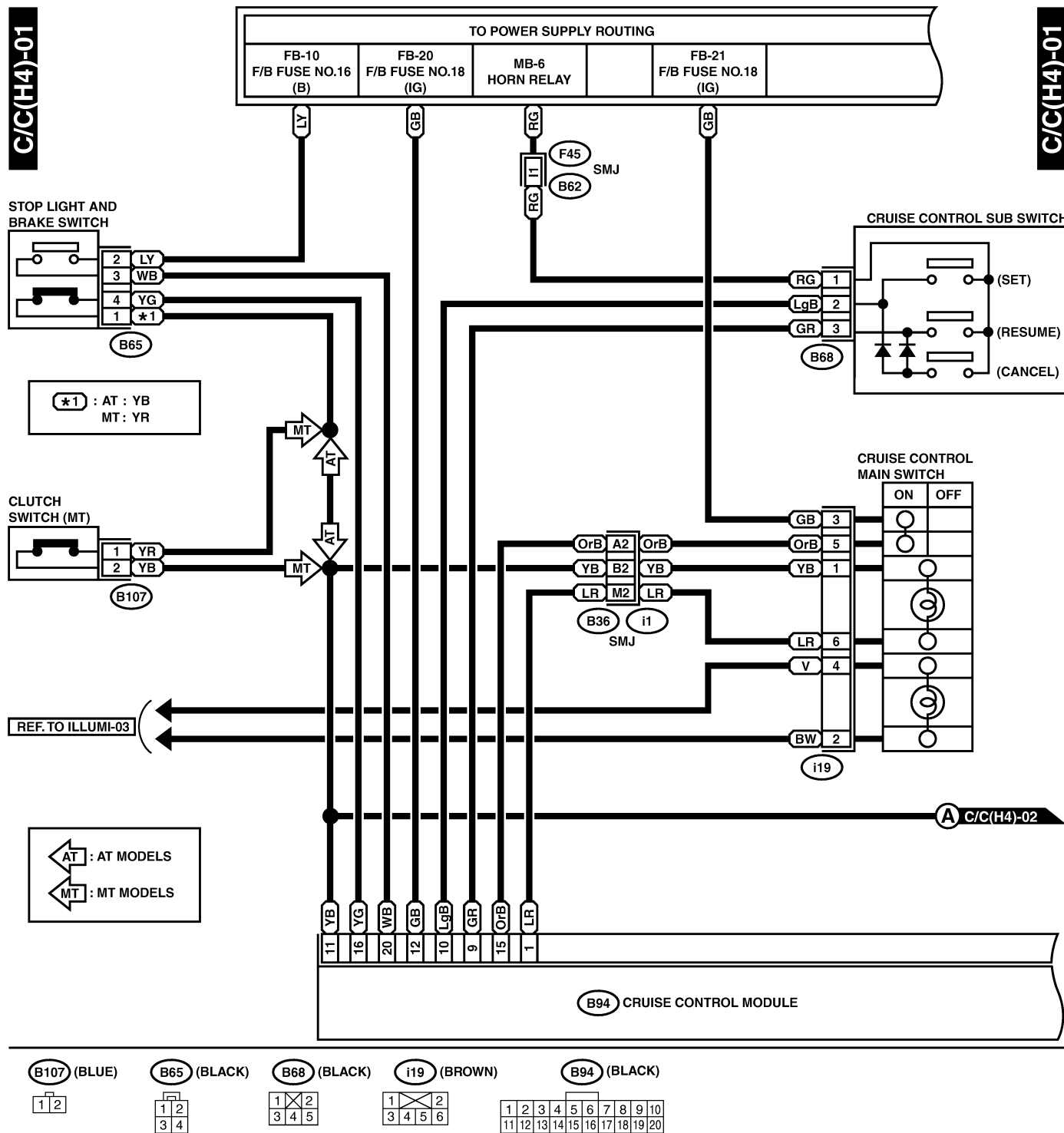
CRUISE CONTROL SYSTEM

Wiring System

15. Cruise Control System S903495

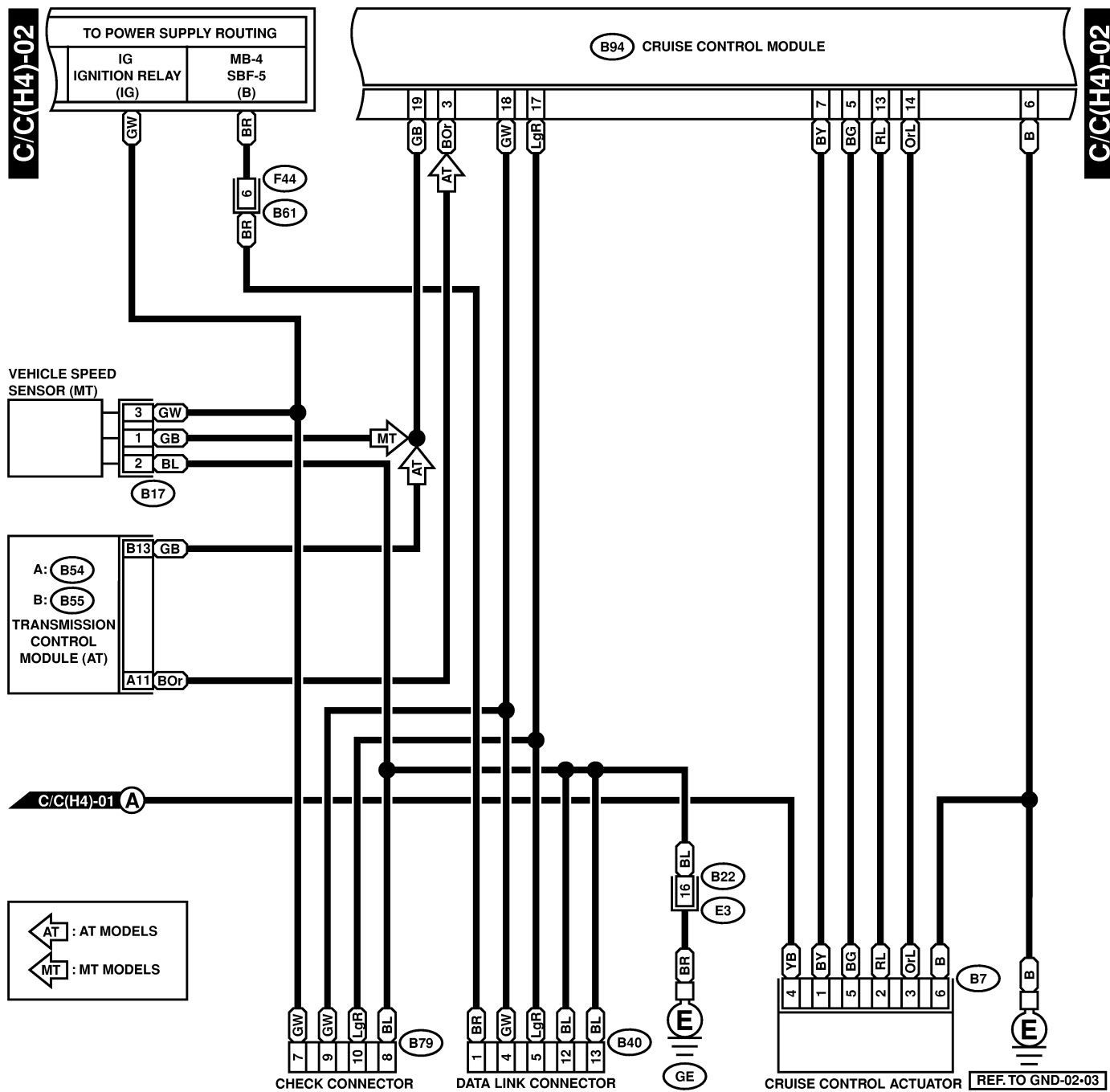
A: SCHEMATIC S903495A21

1. 4-CYLINDER ENGINE MODEL S903495A2103



CRUISE CONTROL SYSTEM

Wiring System



B17 (BLACK)



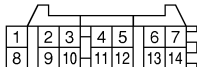
B7 (BLACK)



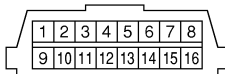
F44



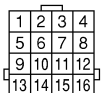
B79 (GRAY)



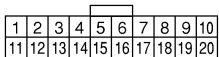
B40



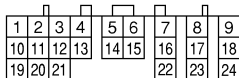
B22 (BROWN)



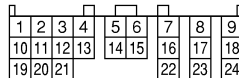
B94 (BLACK)



A: B54

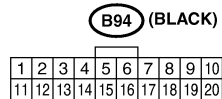
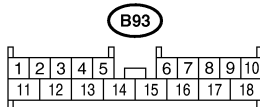
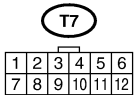
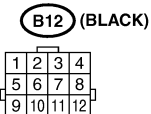
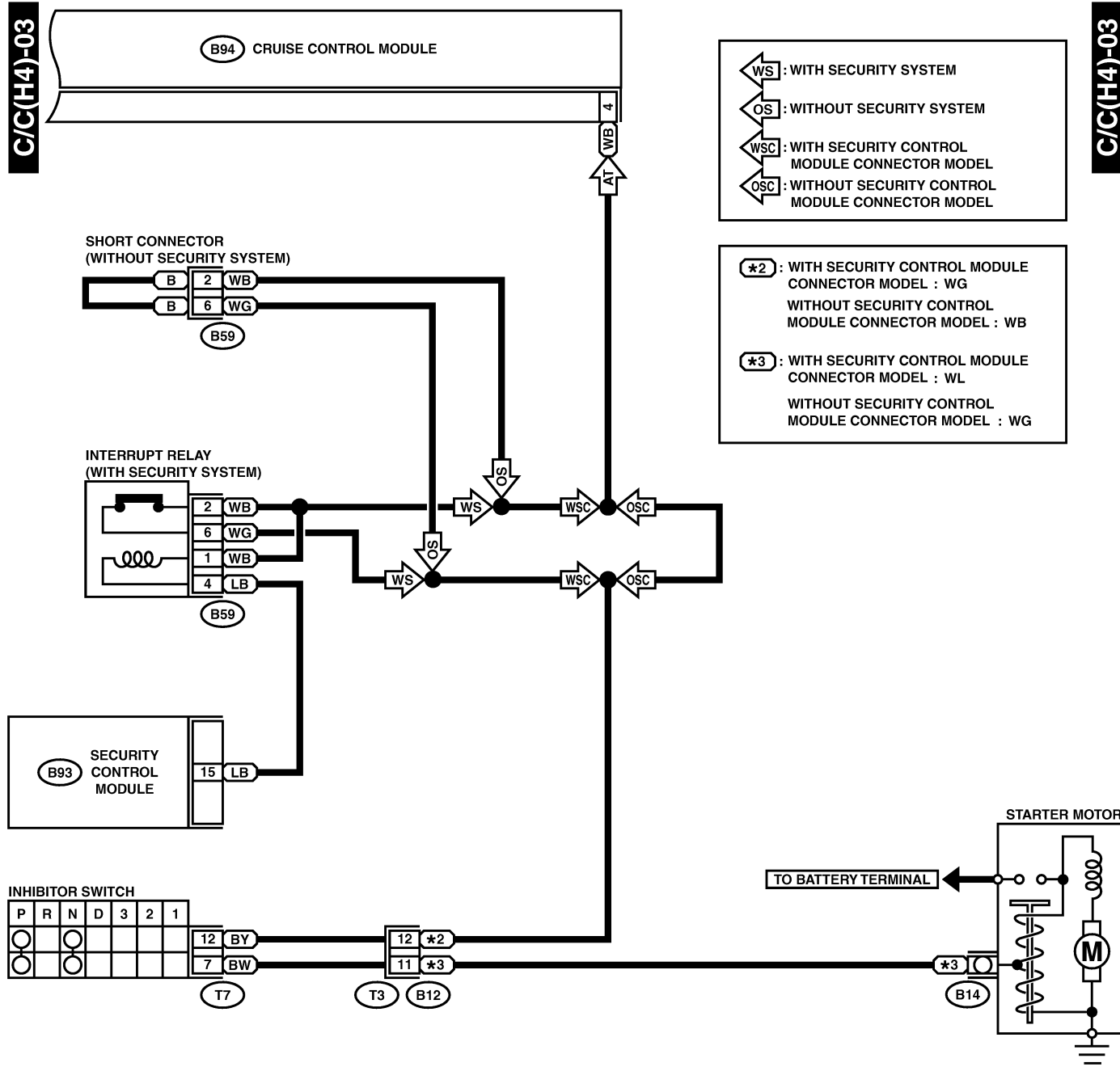


B: B55 (GRAY)



CRUISE CONTROL SYSTEM

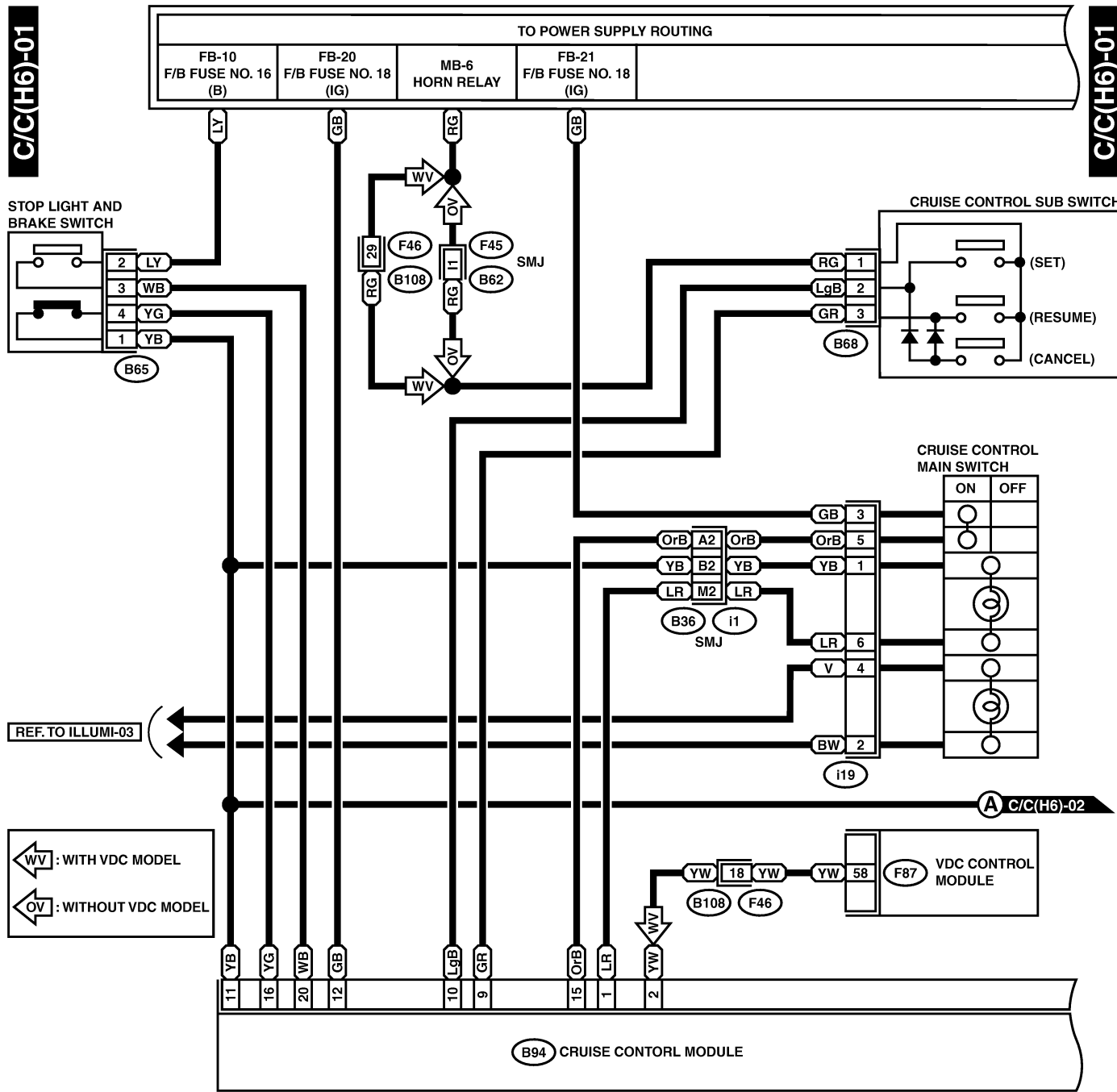
Wiring System



CRUISE CONTROL SYSTEM

Wiring System

2. 6-CYLINDER ENGINE MODEL S903495A2104



B65 (BLACK)

| | |
|---|---|
| 1 | 2 |
| 3 | 4 |

B68 (BLACK)

| | |
|---|---|
| 1 | 2 |
| 3 | 4 |

i19 (BROWN)

| | |
|---|---|
| 1 | 2 |
| 3 | 4 |

B94 (BLACK)

| | | | | | | | | | |
|----|----|----|----|----|----|----|----|----|----|
| 1 | 2 | 3 | 4 | 5 | 6 | 7 | 8 | 9 | 10 |
| 11 | 12 | 13 | 14 | 15 | 16 | 17 | 18 | 19 | 20 |

F46

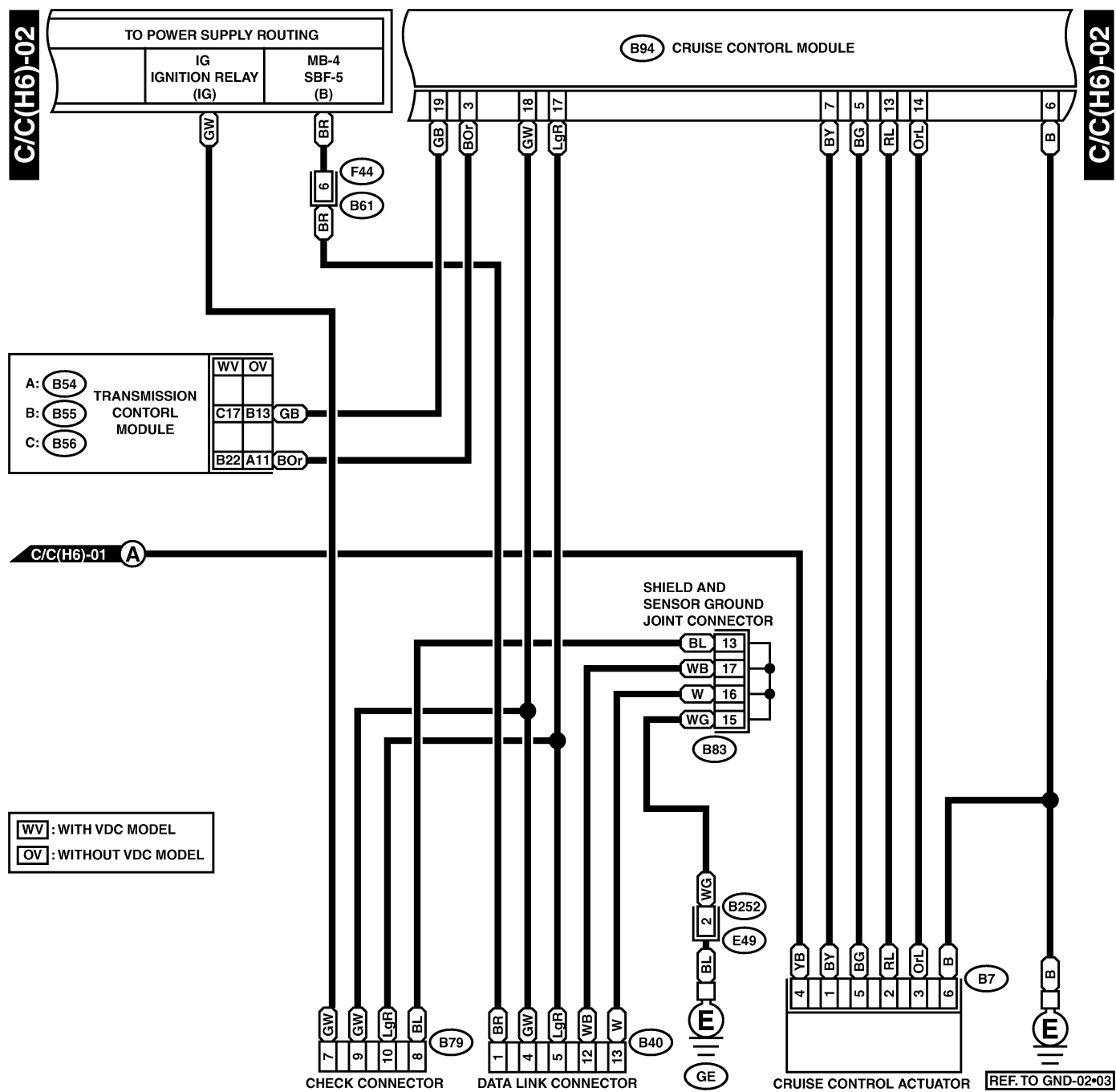
| | | | | | | | | |
|----|----|----|----|----|----|----|----|----|
| 1 | 2 | 3 | 4 | 5 | 6 | 7 | 8 | 9 |
| 10 | 11 | 12 | 13 | 14 | 15 | 16 | 17 | 18 |
| 19 | 20 | 21 | 22 | 23 | 24 | 25 | 26 | 27 |
| 28 | 29 | 30 | 31 | 32 | | | | |

F87 (BLACK)

| | | | | | | | | | | | | | | | | | | | | | | | | | | | |
|----|----|----|----|----|----|----|----|----|----|----|----|----|----|----|----|----|----|----|----|----|----|----|----|----|----|----|----|
| 1 | 2 | 3 | 4 | 5 | 6 | 7 | 8 | 9 | 10 | 11 | 12 | 13 | 14 | 15 | 16 | 17 | 18 | 19 | 20 | 21 | 22 | 23 | 24 | 25 | 26 | 27 | 28 |
| 29 | 30 | 31 | 32 | 33 | 34 | 35 | 36 | 37 | 38 | 39 | 40 | 41 | 42 | 43 | 44 | 45 | 46 | 47 | 48 | 49 | 50 | 51 | 52 | 53 | 54 | 55 | |
| 56 | 57 | 58 | 59 | 60 | 61 | 62 | 63 | 64 | 65 | 66 | 67 | 68 | 69 | 70 | 71 | 72 | 73 | 74 | 75 | 76 | 77 | 78 | 79 | 80 | 81 | 82 | 83 |

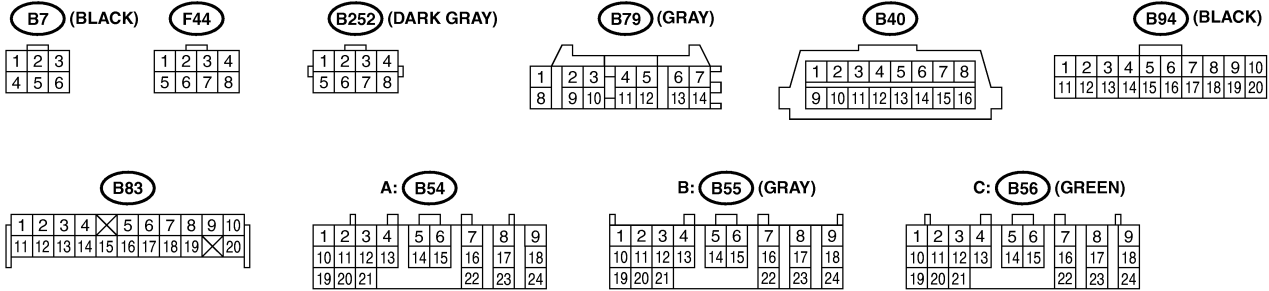
CRUISE CONTROL SYSTEM

Wiring System



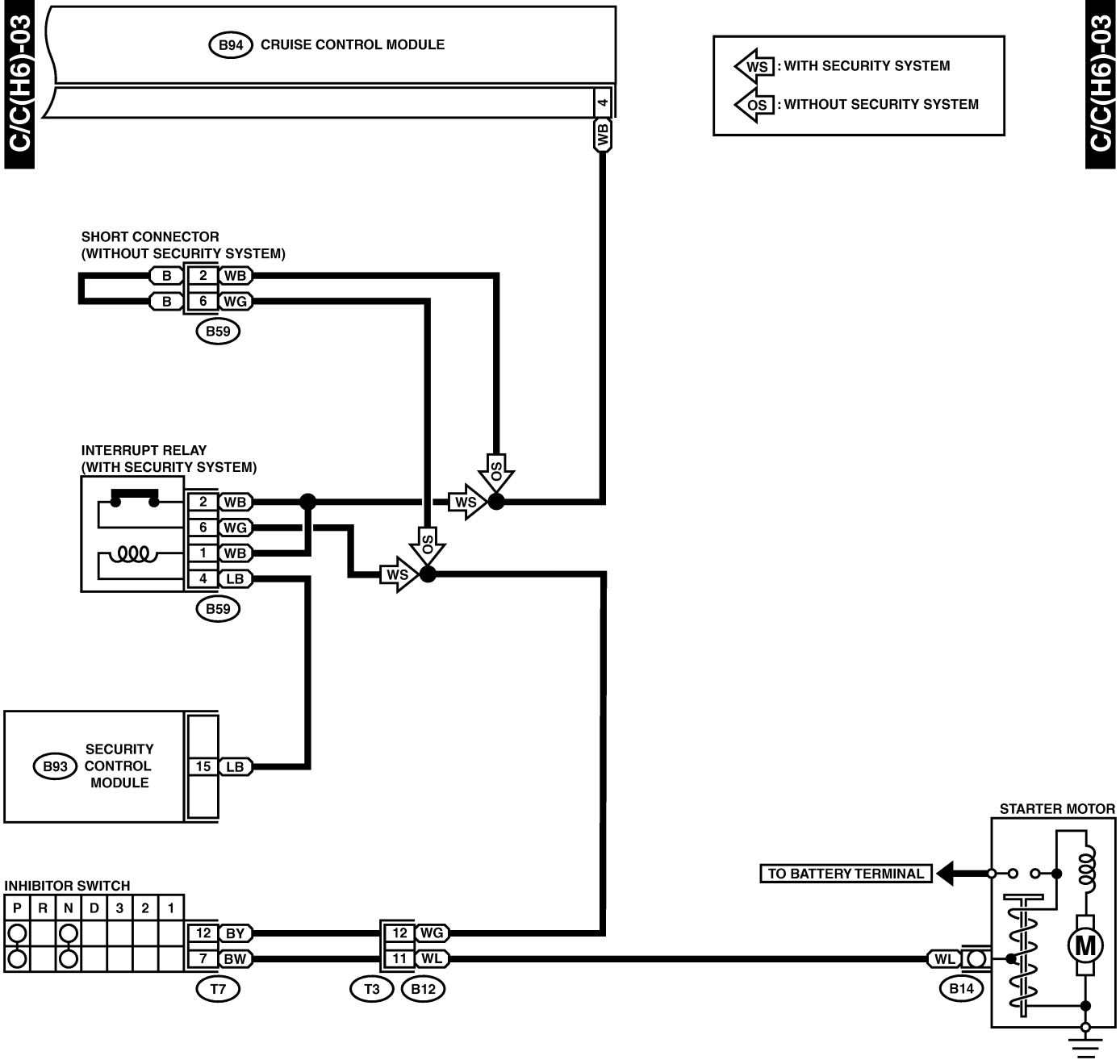
WV : WITH VDC MODEL
OV : WITHOUT VDC MODEL

REF. TO GND-02*03



CRUISE CONTROL SYSTEM

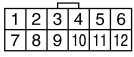
Wiring System



B59



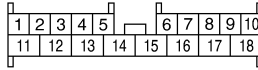
T7



B12 (BLACK)



B93



B94 (BLACK)

