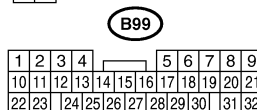
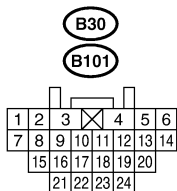
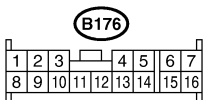
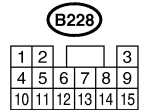
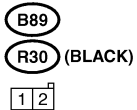
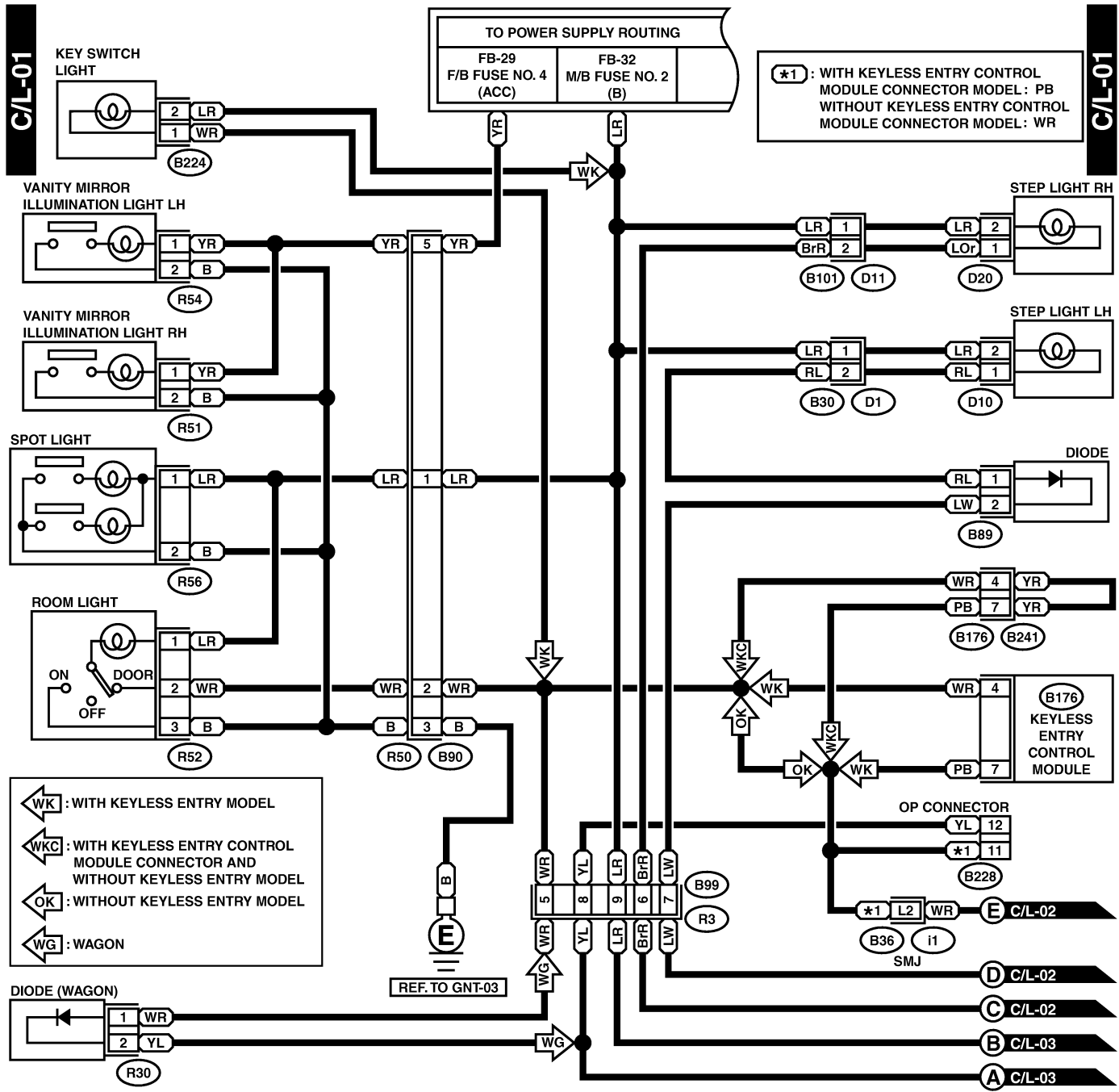


IN COMPARTMENT LIGHT SYSTEM

Wiring System

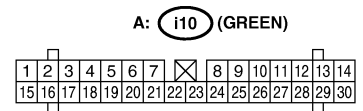
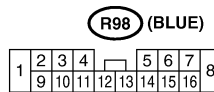
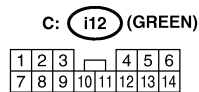
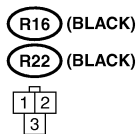
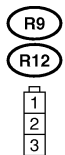
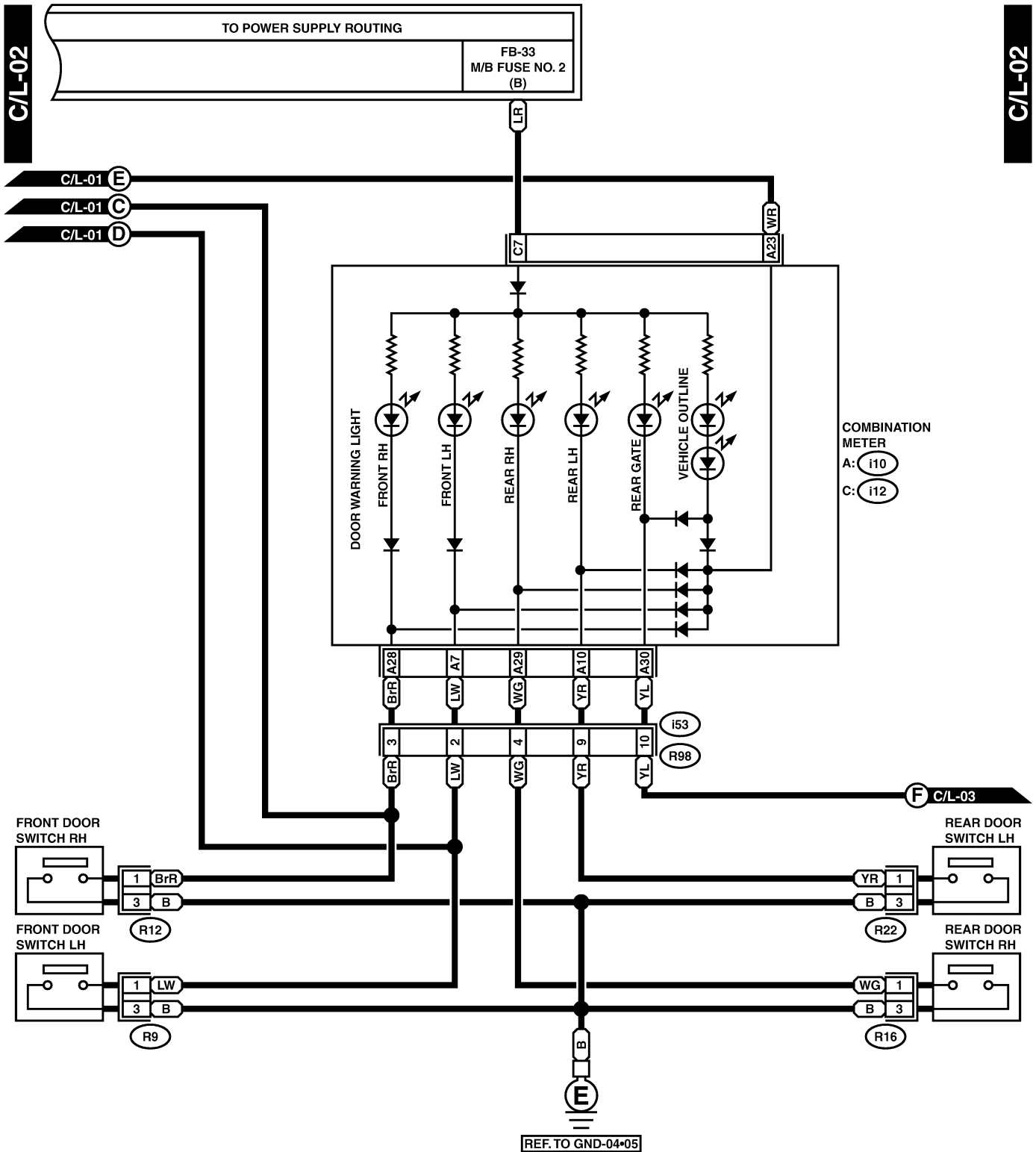
27. In Compartment Light System S903665

A: SCHEMATIC S903665A21



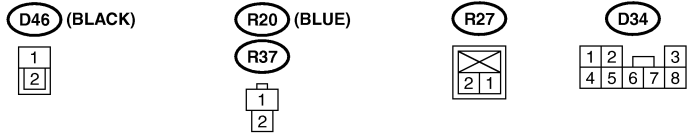
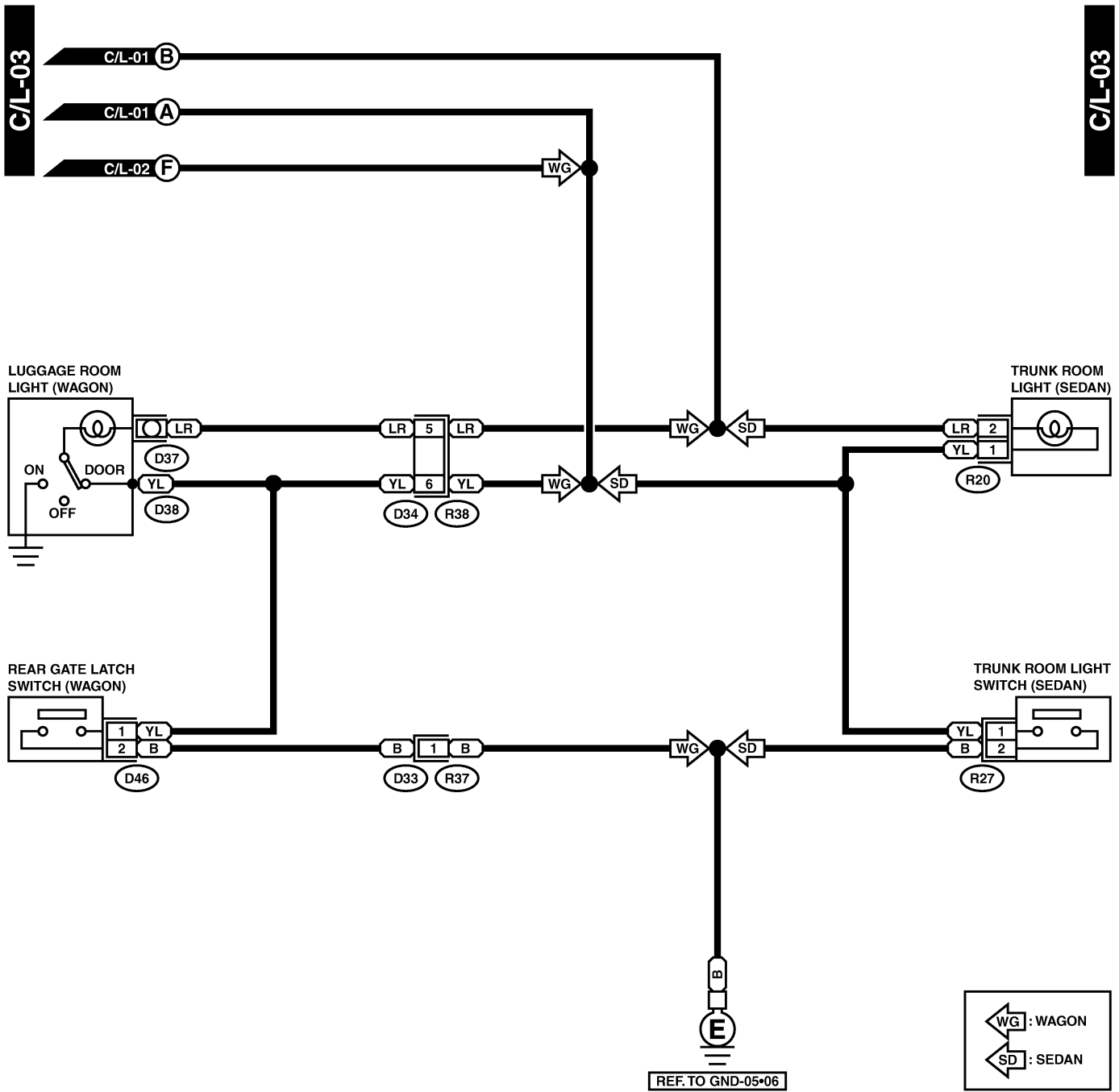
IN COMPARTMENT LIGHT SYSTEM

Wiring System



IN COMPARTMENT LIGHT SYSTEM

Wiring System



BU23-22C

IN COMPARTMENT LIGHT SYSTEM

Wiring System

MEMO: