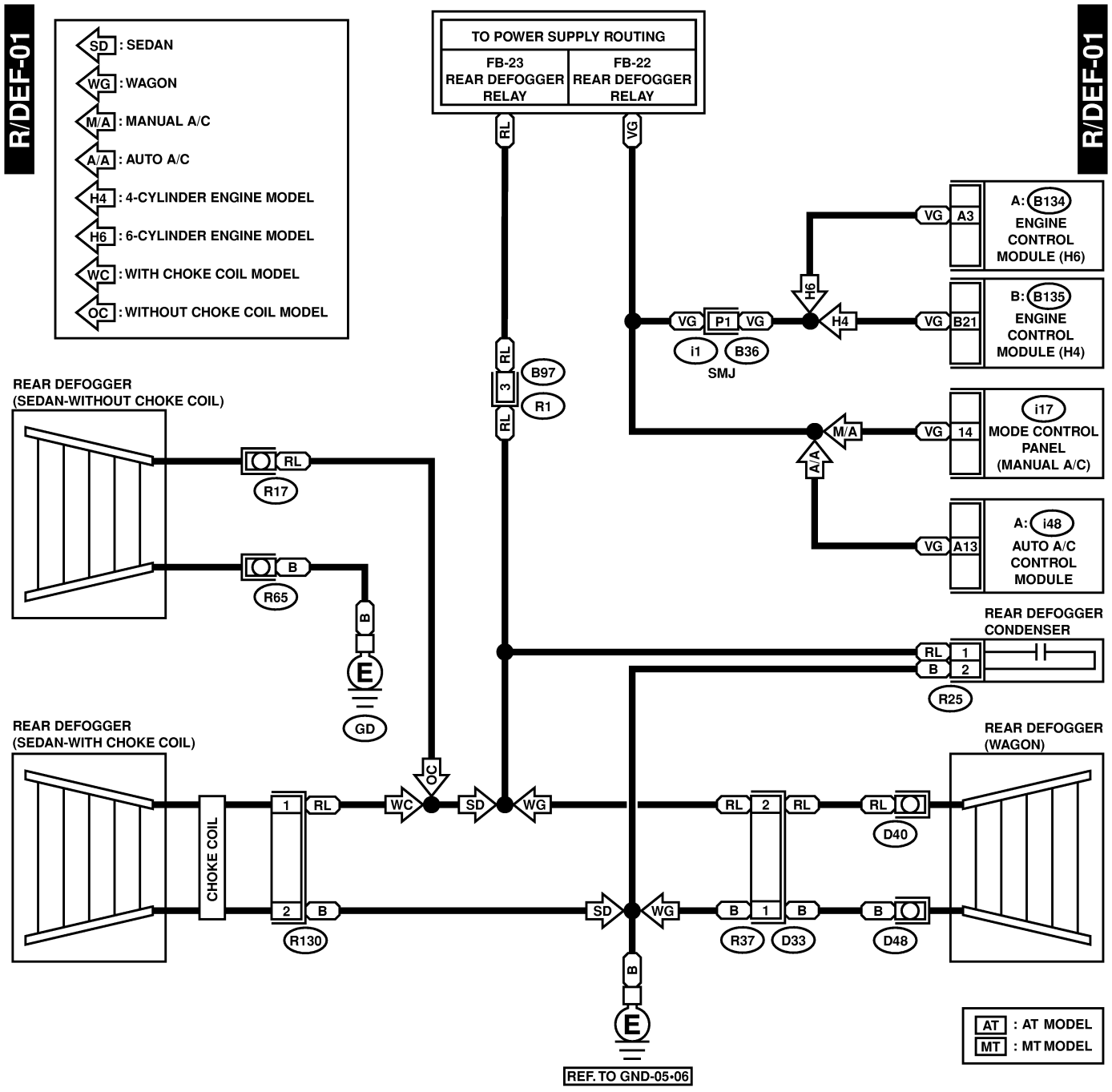


38. Rear Window Defogger System

S903455

A: SCHEMATIC

S903455A21



REF. TO GND-05-06

