

48. Wiper and Washer System (Rear)

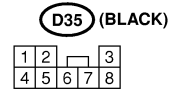
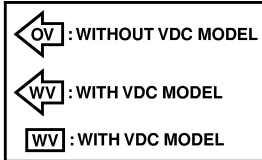
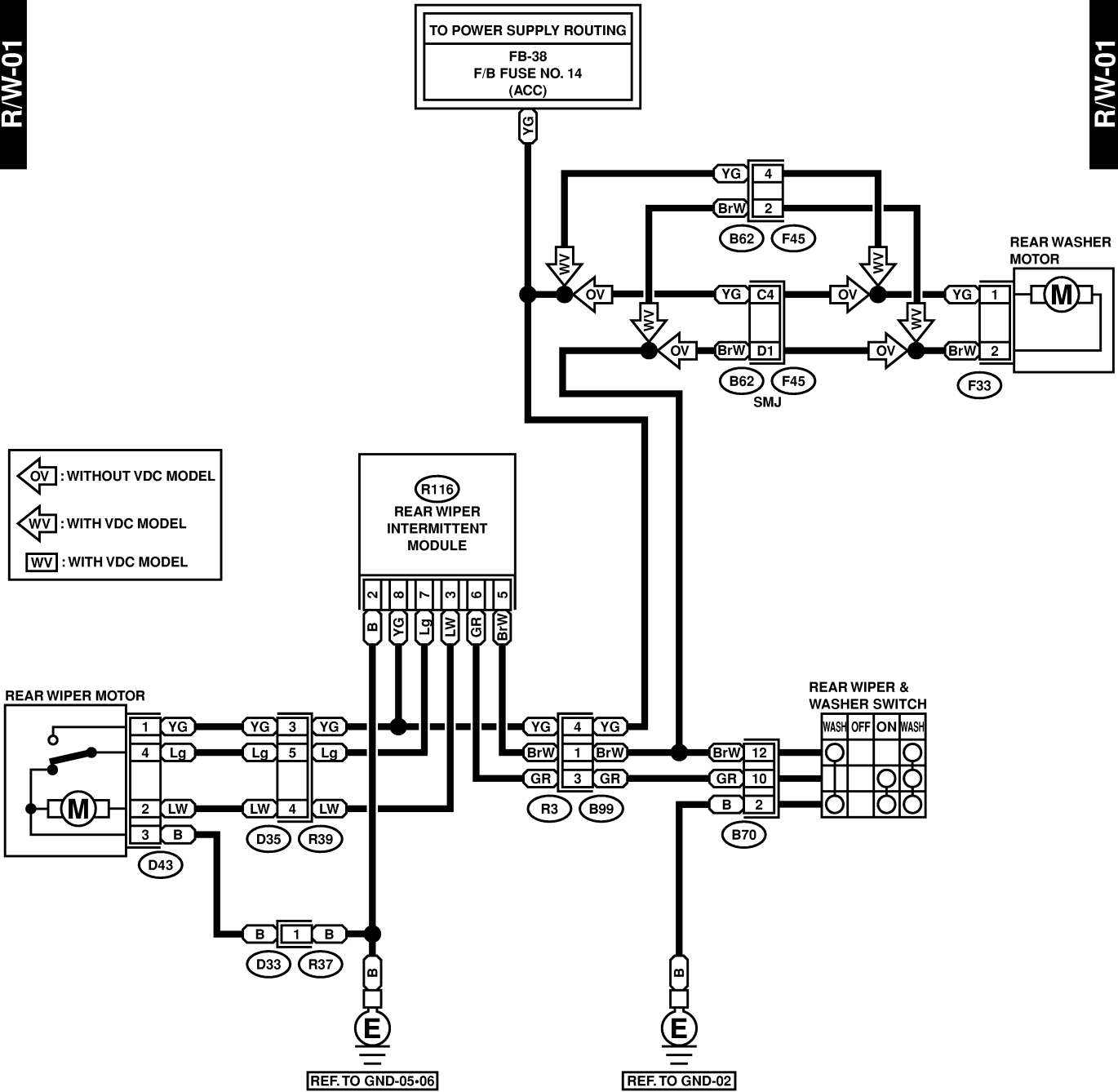
S903443

A: SCHEMATIC

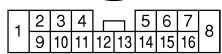
S903443A21

R/W-01

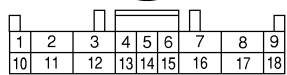
R/W-01



F45 (BLUE) : WV



B70



B99

