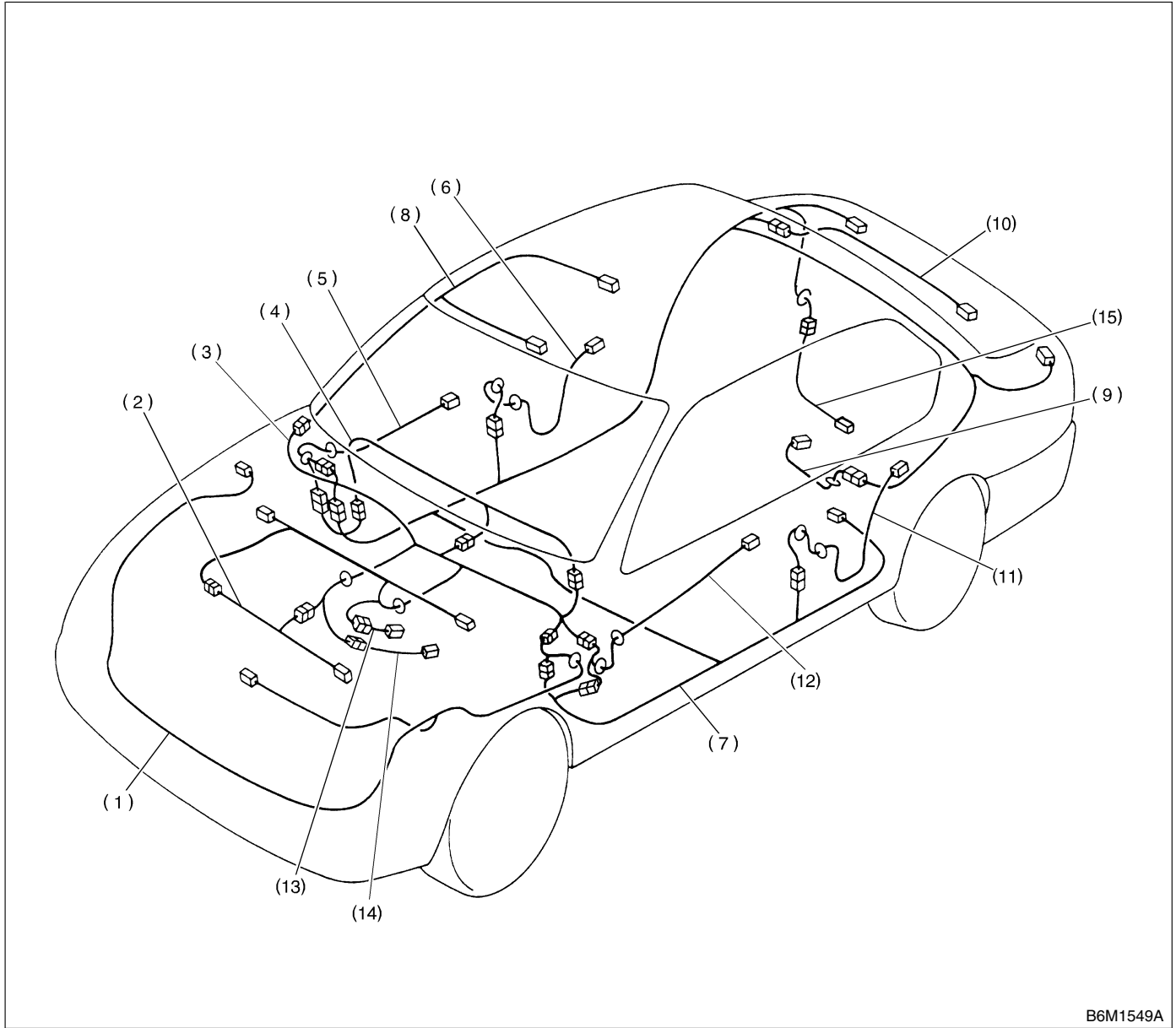


50. Overall Systems S903672

A: LOCATION S903672A13

1. SEDAN MODEL S903672A1301



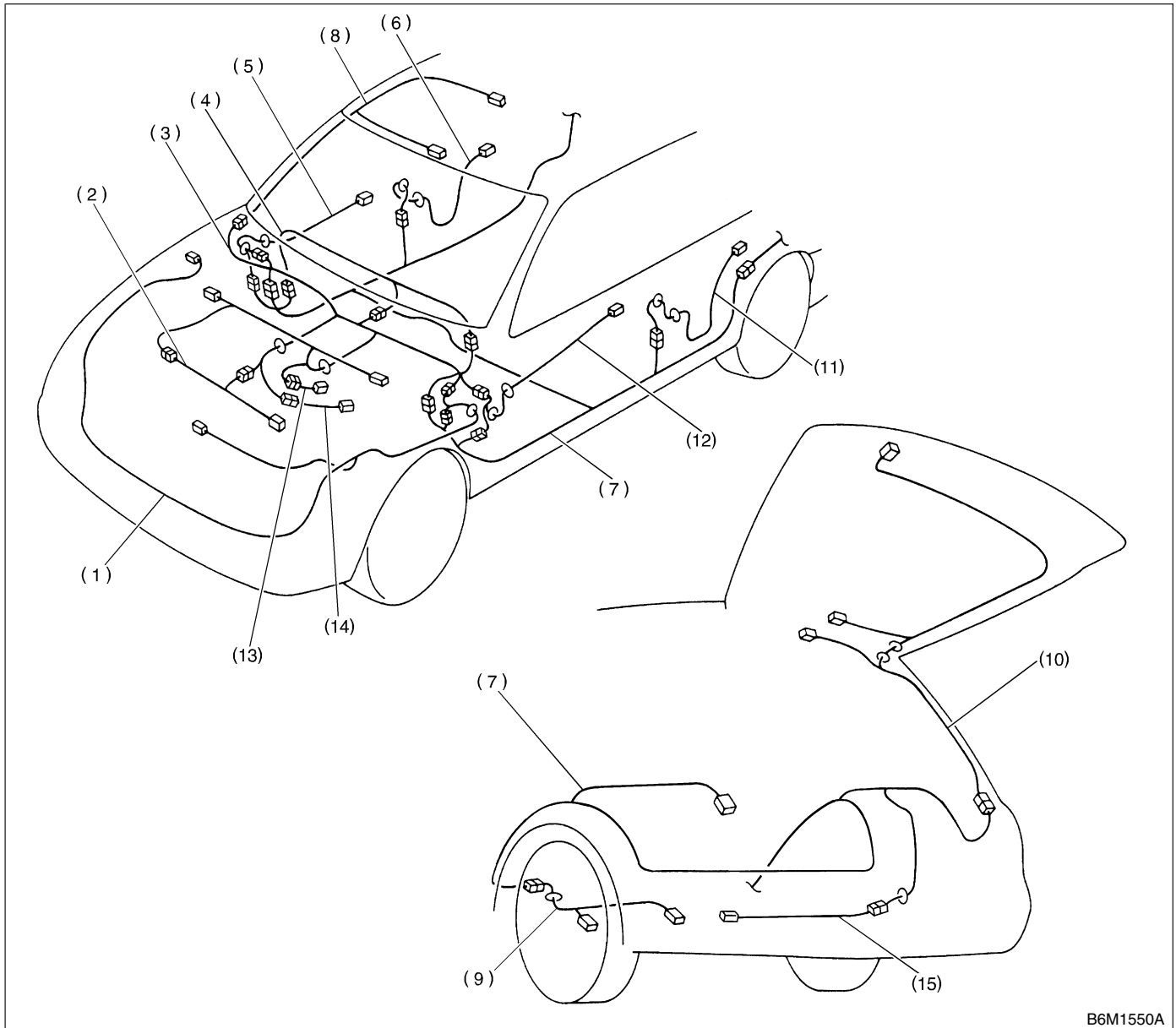
B6M1549A

- | | | |
|-------------------------------------|-------------------------|------------------------------|
| (1) Front wiring harness | (6) Rear door cord RH | (11) Rear door cord LH |
| (2) Engine wiring harness | (7) Rear wiring harness | (12) Front door cord LH |
| (3) Bulkhead wiring harness | (8) Roof cord | (13) Transmission cord |
| (4) Instrument panel wiring harness | (9) Fuel tank cord | (14) Rear oxygen sensor cord |
| (5) Front door cord RH | (10) Trunk lid cord | (15) ORVR cord |

OVERALL SYSTEMS

Wiring System

2. WAGON MODEL S903672A1302



B6M1550A

- | | | |
|-------------------------------------|-------------------------|------------------------------|
| (1) Front wiring harness | (6) Rear door cord RH | (11) Rear door cord LH |
| (2) Engine wiring harness | (7) Rear wiring harness | (12) Front door cord LH |
| (3) Bulkhead wiring harness | (8) Roof cord | (13) Transmission cord |
| (4) Instrument panel wiring harness | (9) Fuel tank cord | (14) Rear oxygen sensor cord |
| (5) Front door cord RH | (10) Rear gate cord | (15) ORVR cord |