

## AIRBAG CONNECTOR

AIRBAG SYSTEM (DIAGNOSTICS)

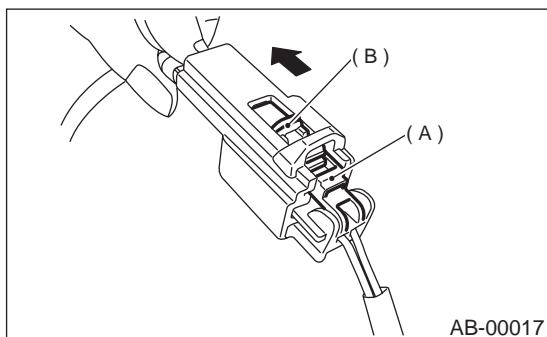
### 5. Airbag Connector

#### A: OPERATION

#### 1. DRIVER'S AIRBAG (AIRBAG MAIN HARNESS AND ROLL CONNECTOR), SIDE AIRBAG, FRONT SUB SENSOR HARNESS TO AIRBAG MAIN HARNESS AND PRETENSIONER

##### • How to disconnect:

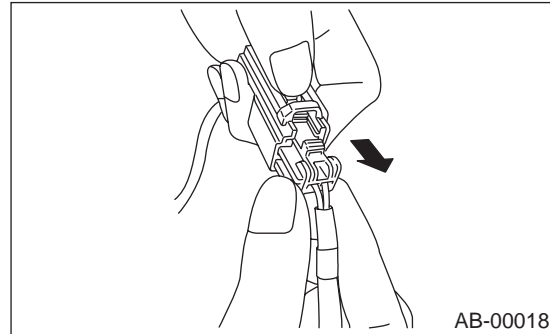
- 1) Push lock arm (A).
- 2) With lock arm (A) pushed in, move slide lock (B) in the direction of the arrow.



- 3) With slide lock (B) pulled, remove lock arm (A) to its original position, and then pull in the direction of the arrow and separate the connector.

##### CAUTION:

When pulling, be sure to hold onto the connector and not the wire.

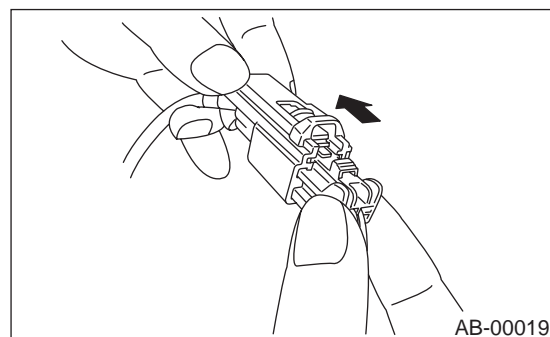


##### • How to connect:

Holding the connector, and push it in carefully until a connecting sound is heard.

##### CAUTION:

Be sure to insert the connector in until it locks. Then pull on it gently to make sure that it is locked.



## AIRBAG CONNECTOR

AIRBAG SYSTEM (DIAGNOSTICS)

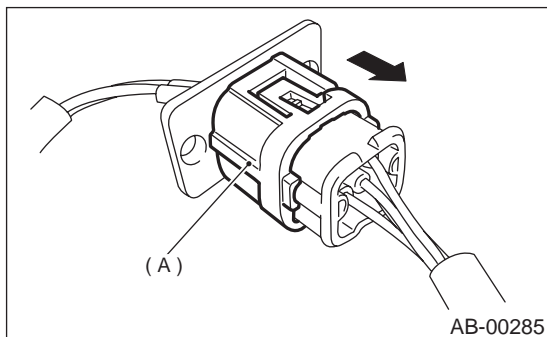
### 2. FRONT SUB-SENSOR, SIDE AIRBAG SENSOR

#### • How to disconnect:

1) Holding outer part (A), pull it in the direction of the arrow.

#### CAUTION:

When pulling, be sure to hold onto the connector and not the wire.

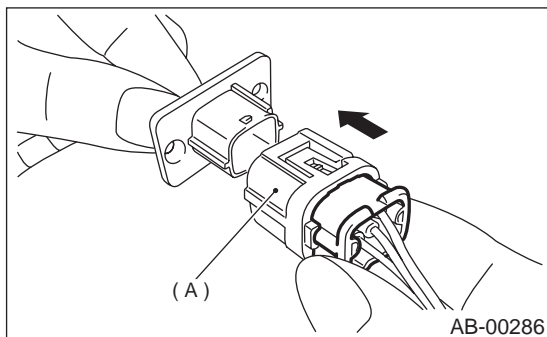


#### • How to connect:

Holding the connector, and push it in carefully until a connecting sound is heard.

#### CAUTION:

- Outer (A) moves back, and so do not put your hand on the outer part.
- Be sure to insert the connector in until it locks. Then pull on it gently to make sure that it is locked.



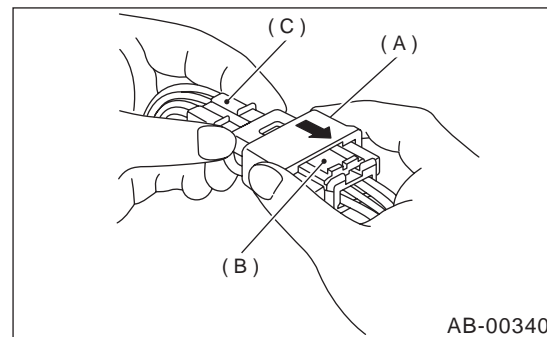
### 3. PASSENGER'S AIRBAG

#### • How to disconnect:

Holding female connector (C) in one hand, use your other hand to pull slide lock (A) in the direction of the arrow.

#### CAUTION:

When pulling, be sure to hold onto the slide lock and not the male connector or wire.



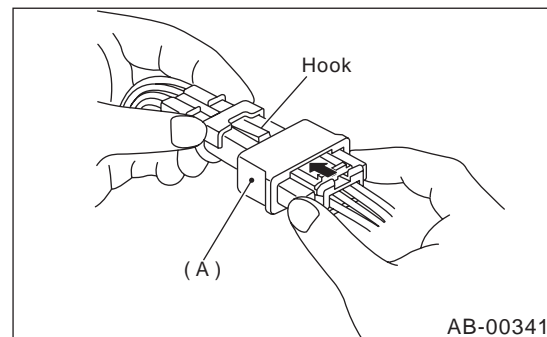
#### • How to connect:

1) Insert female connector (C) over male connector socket (B), and push slide lock (A) into the female connector tabs.

#### CAUTION:

Do not hold onto the slide lock.

2) If the male connector socket is pushed too hard, slide lock (A) will go past slide lock (A) tabs and connect.



## AIRBAG CONNECTOR

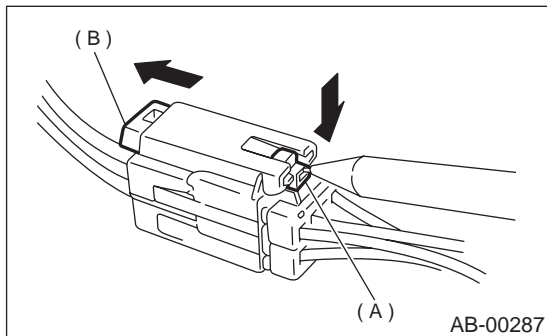
AIRBAG SYSTEM (DIAGNOSTICS)

---

### 4. AIRBAG MAIN HARNESS TO BODY HARNESS CONNECTOR

1) How to disconnect:

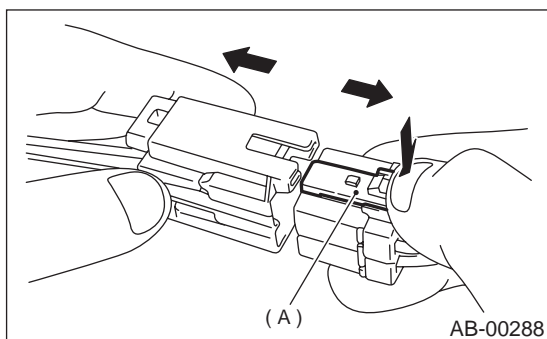
- (1) Push lock arm (A) to let green lever (B) pop out.



- (2) Then separate the connector halves by pulling them apart while pressing lever (A).

**CAUTION:**

When pulling, be sure to hold onto the connector and not the wire.



2) How to connect:

- (1) Insert the (A) connector half into the other until a “click” is heard.
- (2) Push in green lever (B) until a “click” is heard.

This engages the double lock mechanism.

**CAUTION:**

Be sure to insert the connector in until it locks. Then pull on it gently to make sure that it is locked.

