

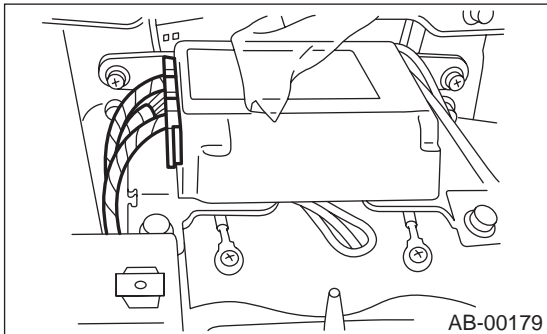
MAIN HARNESS

AIRBAG SYSTEM

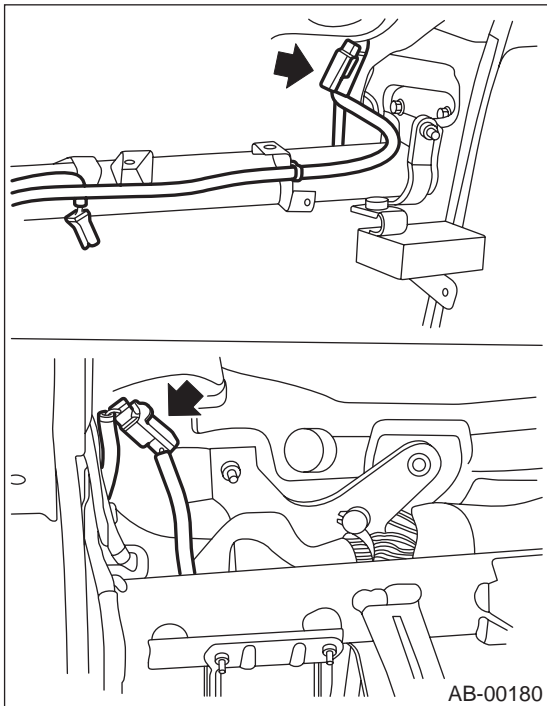
7. Main Harness

A: REMOVAL

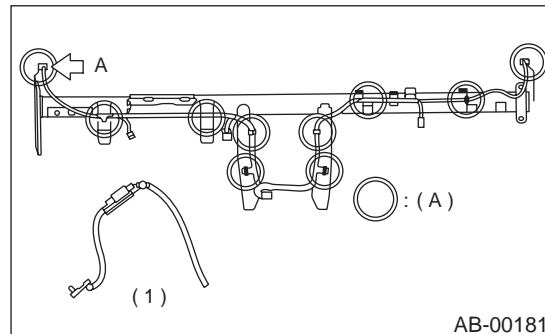
- 1) Turn ignition switch OFF.
- 2) Disconnect the ground cable from the battery and wait for at least 20 seconds before starting work.
- 3) Remove instrument panel. <Ref. to EI-37, REMOVAL, Instrument Panel Assembly.>
- 4) Disconnect connector from airbag control module.



- 5) Disconnect front sub sensor connector (blue) from airbag main harness.



- 6) Detach clips (A) from steering support beam, and remove main harness.



(1) View A

B: INSTALLATION

Install in the reverse order of removal.

C: INSPECTION

Check for the following, and replace damaged parts with new parts.

- Harness and/or connector is damaged.