

## AIRBAG CONTROL MODULE

### AIRBAG SYSTEM

---

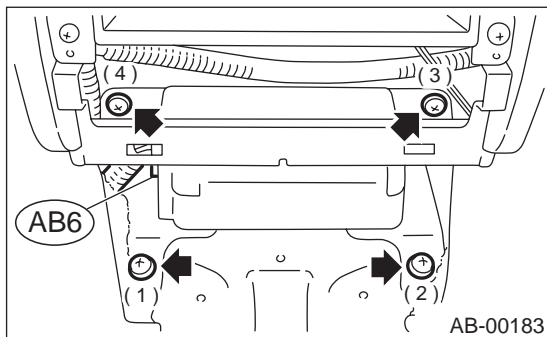
## 9. Airbag Control Module

### A: REMOVAL

#### CAUTION:

- Do not disassemble the airbag control module.
- If the airbag control module is deformed or if water damage is suspected, replace the airbag control module with a new genuine part.
- Do not drop the airbag control module.
- After removal, keep the airbag control module on a dry, clean surface away from moisture, heat, and dust.

- 1) Turn ignition switch OFF.
- 2) Disconnect the ground cable from the battery, and wait for at least 20 seconds before starting work.
- 3) Remove console box. <Ref. to EI-36, REMOVAL, Console Box.>
- 4) Disconnect connector from airbag control module.
- 5) Remove four airbag control module mounting bolts in the order shown in the figure.



### B: INSTALLATION

#### CAUTION:

Use new mounting bolts during re-assembly.  
Install in the reverse order of removal.

### C: INSPECTION

Check for the following, and replace damaged parts with new parts.

- Control module, connector, and mounting bracket are damaged.
- Airbag is deployed.
- Side airbag is deployed.