

# HORN SYSTEM

COMMUNICATION SYSTEM

## 2. Horn System

### A: SCHEMATIC

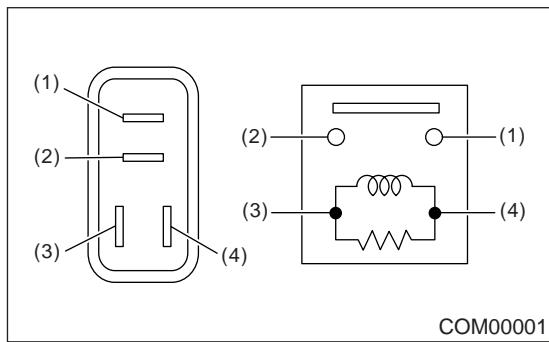
#### 1. HORN

<Ref. to WI-136, SCHEMATIC, Horn System.>

### B: INSPECTION

#### 1. HORN RELAY

Measure horn relay resistance between terminals (indicated in table below) while connecting terminal No. 4 to battery positive terminal and terminal No. 3 to battery ground terminal.



Current Flow	Terminal No.	Standard
Flow	1 and 2	Less than 1 Ω
No flow		More than 1 MΩ

COM-3