

## HORN

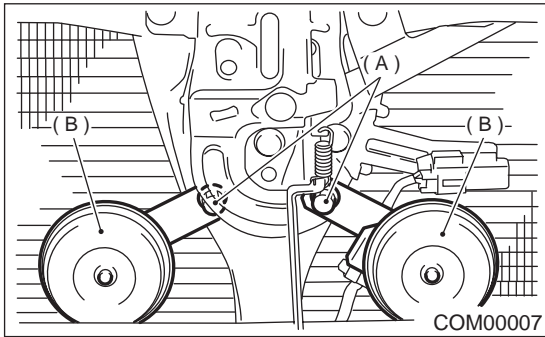
### COMMUNICATION SYSTEM

---

### 3. Horn

#### A: REMOVAL

- 1) Disconnect ground cable from battery.
- 2) Remove horn bracket mounting bolt (A).
- 3) Disconnect harness connector and remove horn assembly (B).



#### B: INSTALLATION

Install in the reverse order of removal.

#### C: INSPECTION

With 12 V direct current supply between horn terminal and case ground, check that the horn sounds properly.

