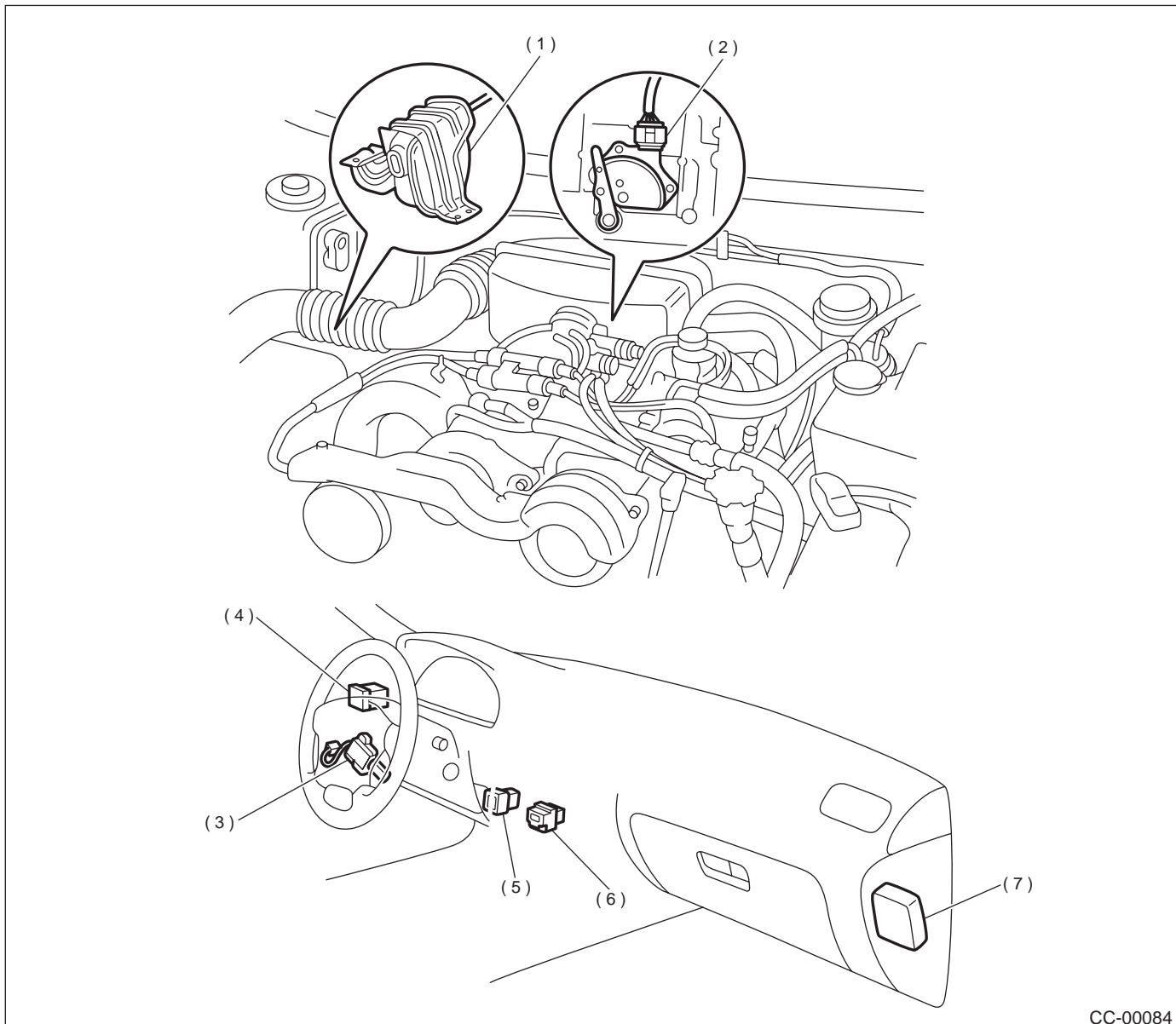


GENERAL DESCRIPTION

CRUISE CONTROL SYSTEM

1. General Description

A: COMPONENT



(1) Actuator

(2) Inhibitor switch (AT)

(3) Cruise control command switch

(4) Cruise control main switch

(5) Clutch switch (MT)

(6) Stop and brake switch

(7) Cruise control module

GENERAL DESCRIPTION

CRUISE CONTROL SYSTEM

B: CAUTION

- Before disassembling or reassembling parts, always disconnect the battery ground cable. When repairing the radio, control module and other parts with memory functions, make note of the memory before disconnecting the battery ground cable. All memory will be erased.
- Reassemble parts in the reverse order of disassembly unless otherwise indicated.
- Adjust parts to specifications specified in this manual.
- Connect connectors and hoses securely during reassembly.
- After reassembly, ensure functional parts operate properly.

C: PREPARATION TOOL

TOOL NAME	REMARKS
Circuit tester	Used for measuring resistance and voltage.