

ACTUATOR

CRUISE CONTROL SYSTEM

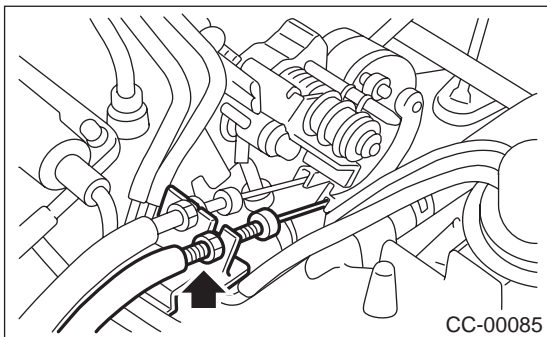
2. Actuator

A: REMOVAL

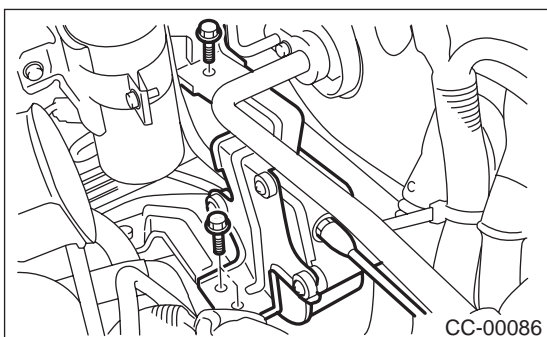
CAUTION:

- Be careful not to apply excessive load to the wire cable when adjusting and/or installing; otherwise, the actuator may be deformed or damaged.
- Do not bend cable sharply with a radius less than 100 mm (3.94 in); otherwise, cable may bend permanently, resulting in poor performance.
- When installing cable, be careful not to sharply bend or pinch the inner cable; otherwise, the cable may break.

- 1) Disconnect ground cable from battery.
- 2) Remove clip bands from cruise control cable.
- 3) Loosen nut which secures cruise control cable end to throttle cam and then remove cable from throttle cam.



- 4) Remove actuator attaching bolts.
- 5) Remove actuator while disconnecting connector.



B: INSTALLATION

Install in the reverse order of removal.

Tightening torque:

Actuator

7.4 N·m (0.75 kgf-m, 5.4 ft-lb)

Cable end nut

12 N·m (1,2 kgf-m, 8.7 ft-lb)

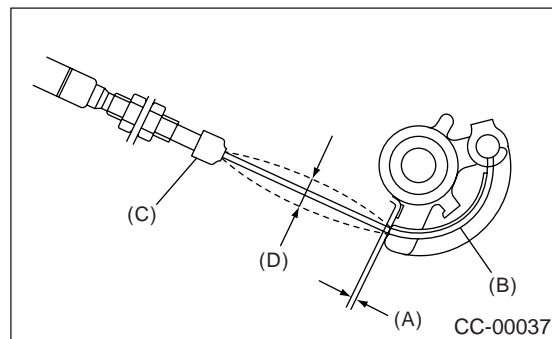
NOTE:

(A): Must be adjusted when cable end outer is fixed in place, so that gap between throttle cam and lever is 0 — 1 mm (0 — 0.04 in), or inner cable deflection (D) is 1 — 8 mm (0.039 — 0.315 in) with specified range of throttle cable play.

(Must be attached while throttle cam is being pulled by wire cable.)

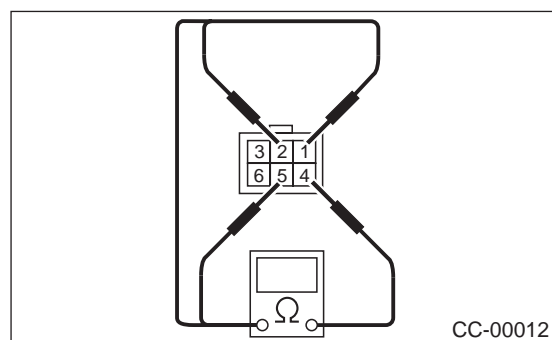
(B): Must be coated evenly on cam end inner connection.

(C): Cover must be inserted securely, until tip of cable touches cover stopper.



C: INSPECTION

Measure cruise control actuator resistance.



Terminal No.	Standard
4 and 1	Approx. 5Ω
4 and 2	Approx. 5Ω
4 and 5	Approx. 5Ω
3 and 6	Approx. 39Ω

If NG, replace cruise control actuator.