

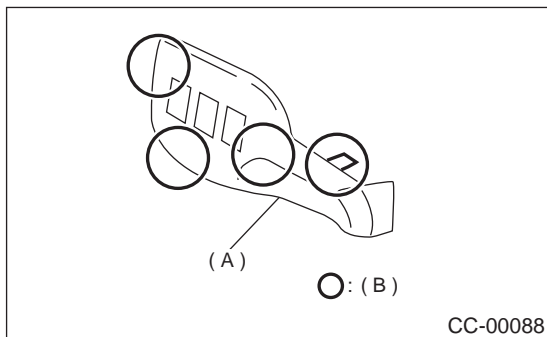
CRUISE CONTROL MAIN SWITCH

CRUISE CONTROL SYSTEM

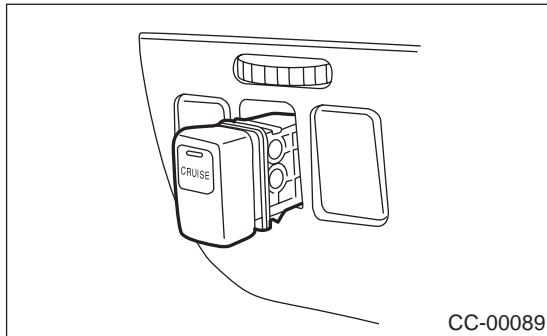
4. Cruise Control Main Switch

A: REMOVAL

- 1) Disconnect ground cable from battery.
- 2) Remove hook (B) and then remove switch panel (A) while disconnecting connector.



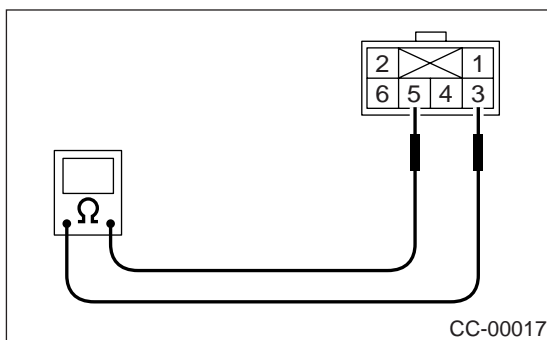
- 3) Remove main switch by pushing it outward.



B: INSTALLATION

Install is in the reverse order of removal.

C: INSPECTION



Switch position	Terminal No.	Standard
OFF (Released)	3 and 5	More than 1 MΩ
ON (Pushed)	3 and 5	Less than 1 Ω

If NG, replace cruise control main switch.

CC-6