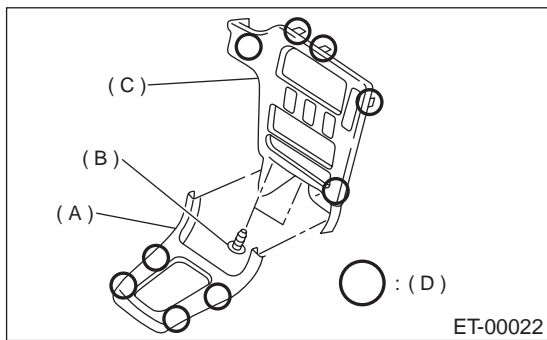


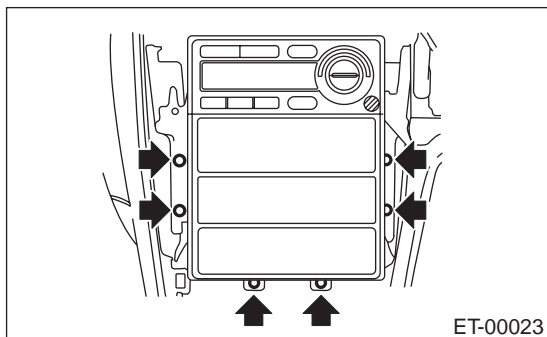
4. Radio Body

A: REMOVAL

- 1) Disconnect ground cable from battery.
- 2) Remove hook (D) and then remove front cover (A).
- 3) Remove two screws (B) and hook (D), then remove center panel (C) while disconnecting connector.



- 4) Remove fitting screws, and slightly pull radio out from center console.



- 5) Disconnect electric connectors and antenna feeder cord and then disconnect heater control unit.

B: INSTALLATION

Install in the reverse order of removal.