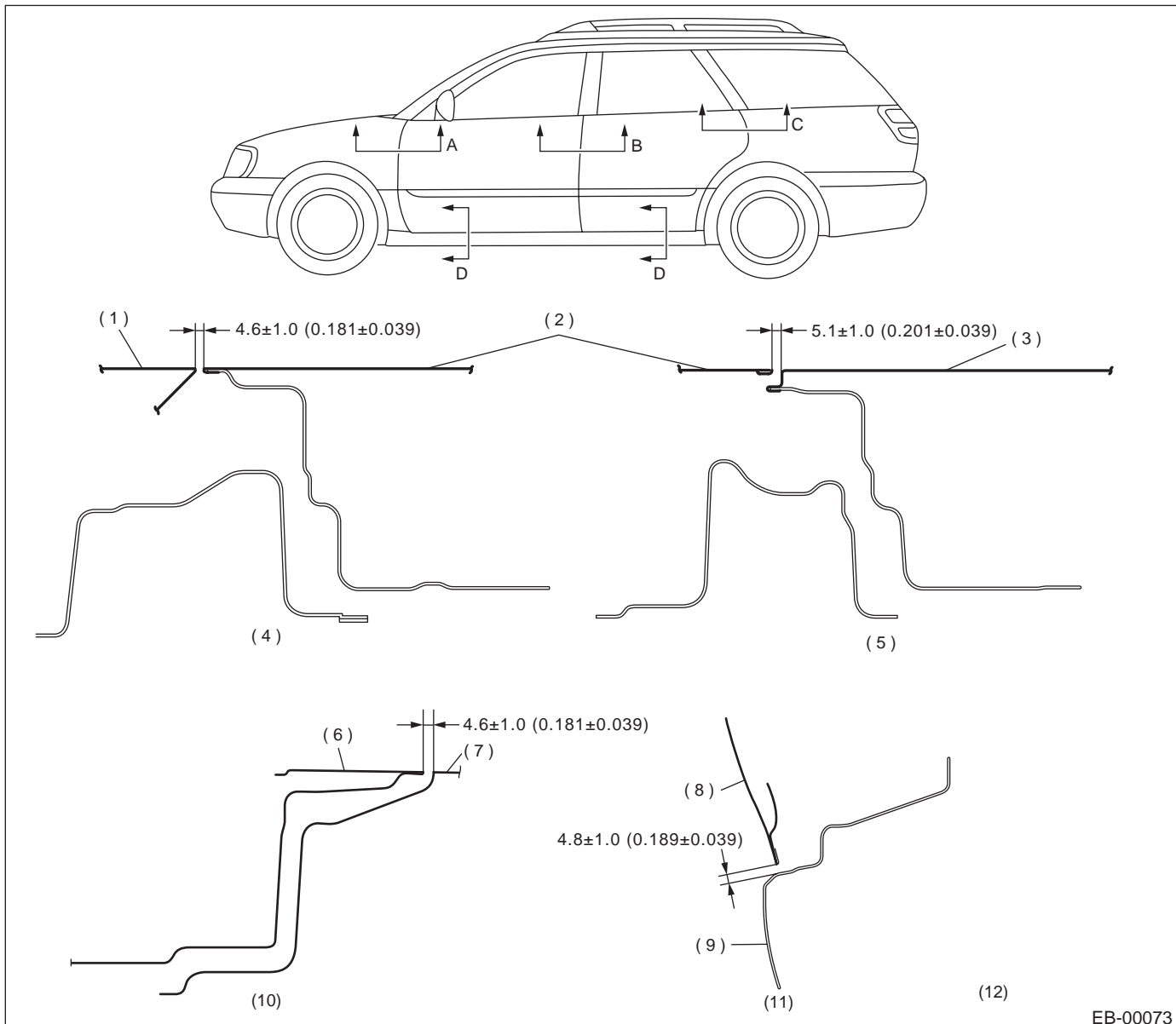


GENERAL DESCRIPTION

EXTERIOR BODY PANELS

1. General Description

A: SPECIFICATIONS



EB-00073

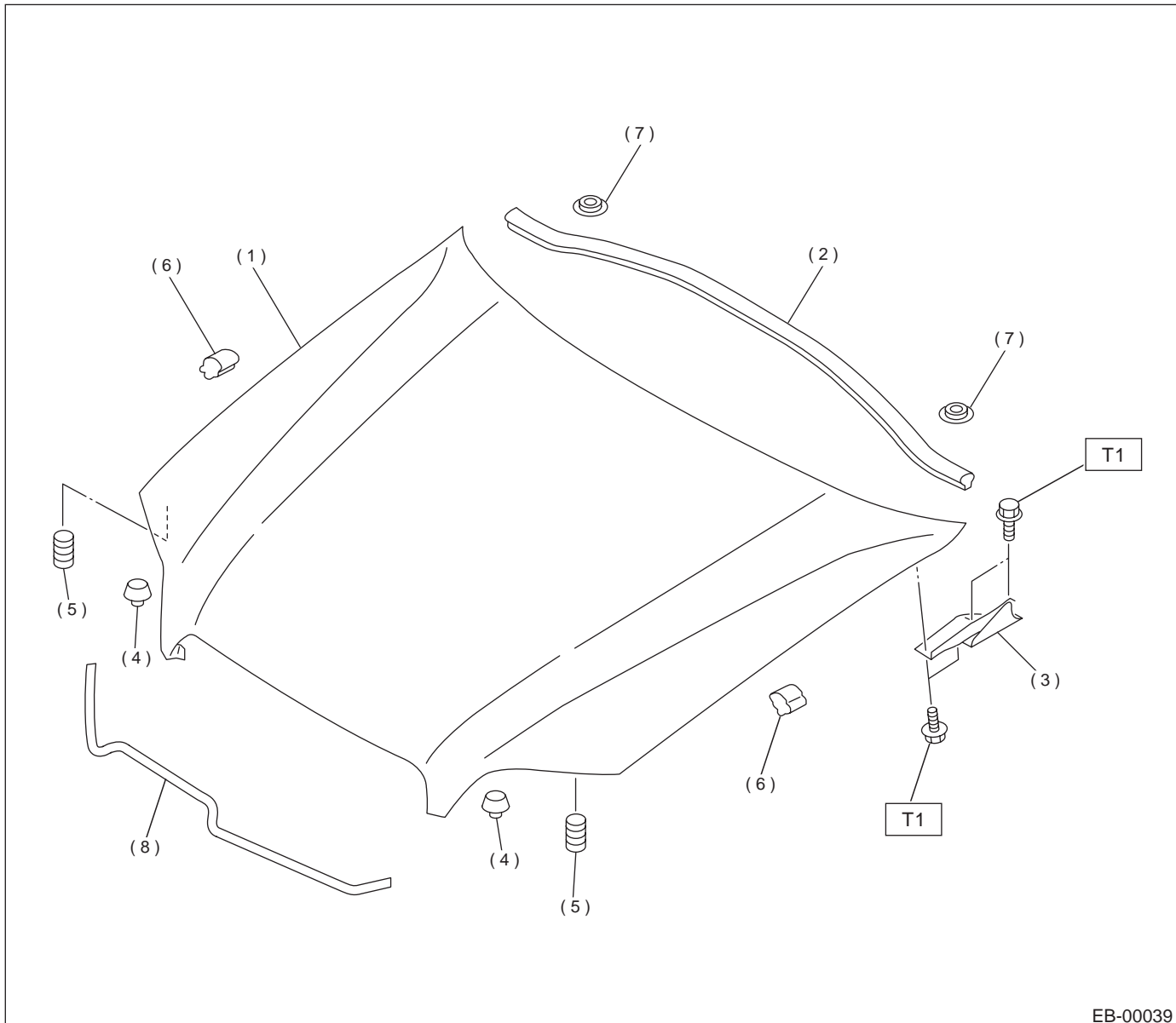
- | | | |
|----------------------|------------------------|--------------------|
| (1) Front fender | (5) Section B | (9) Side sill |
| (2) Front door outer | (6) Rear door outer | (10) Section C |
| (3) Rear door outer | (7) Rear quarter outer | (11) Section D |
| (4) Section A | (8) Door panel | (12) Unit: mm (in) |

GENERAL DESCRIPTION

EXTERIOR BODY PANELS

B: COMPONENT

1. FRONT HOOD



- (1) Front hood
- (2) Seal (Front hood)
- (3) Hinge
- (4) Buffer C

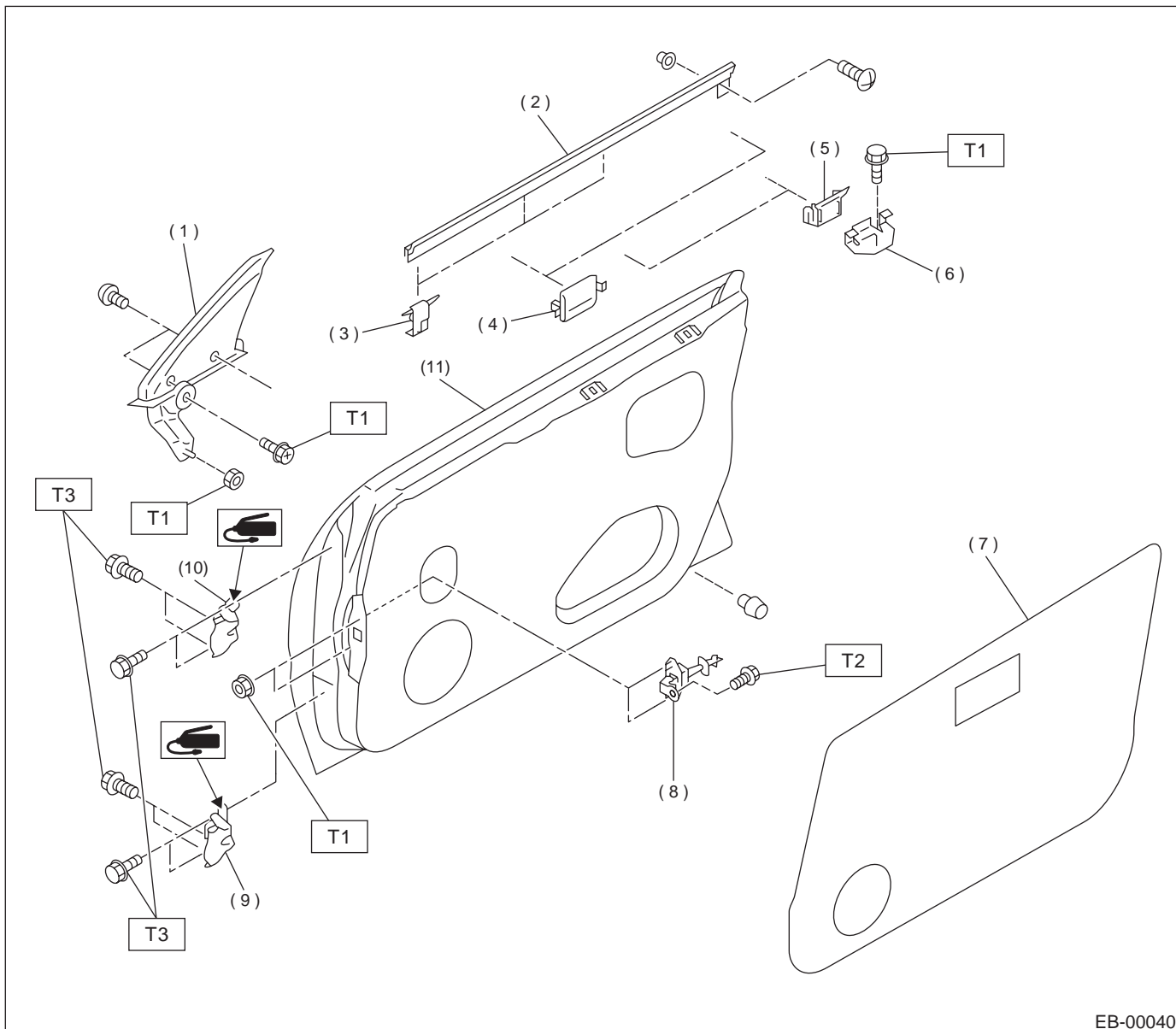
- (5) Buffer A
- (6) Buffer B
- (7) Plug
- (8) Seal ASSY

Tightening torque: N·m (kgf·m, ft·lb)
T1: 24.5 (2.5, 18.1)

GENERAL DESCRIPTION

EXTERIOR BODY PANELS

2. FRONT DOOR PANEL



- | | |
|--------------------------------|-------------------|
| (1) Gusset | (7) Sealing cover |
| (2) Weatherstrip (Outer) | (8) Checker |
| (3) Clip (Weatherstrip, outer) | (9) Lower hinge |
| (4) Stabilizer (Lifter) | (10) Upper hinge |
| (5) Stabilizer (Outer) | (11) Door panel |
| (6) Stabilizer (Inner) | |

Tightening torque: N·m (kgf-m, ft-lb)

T1: 7.35 (0.75, 5.4)

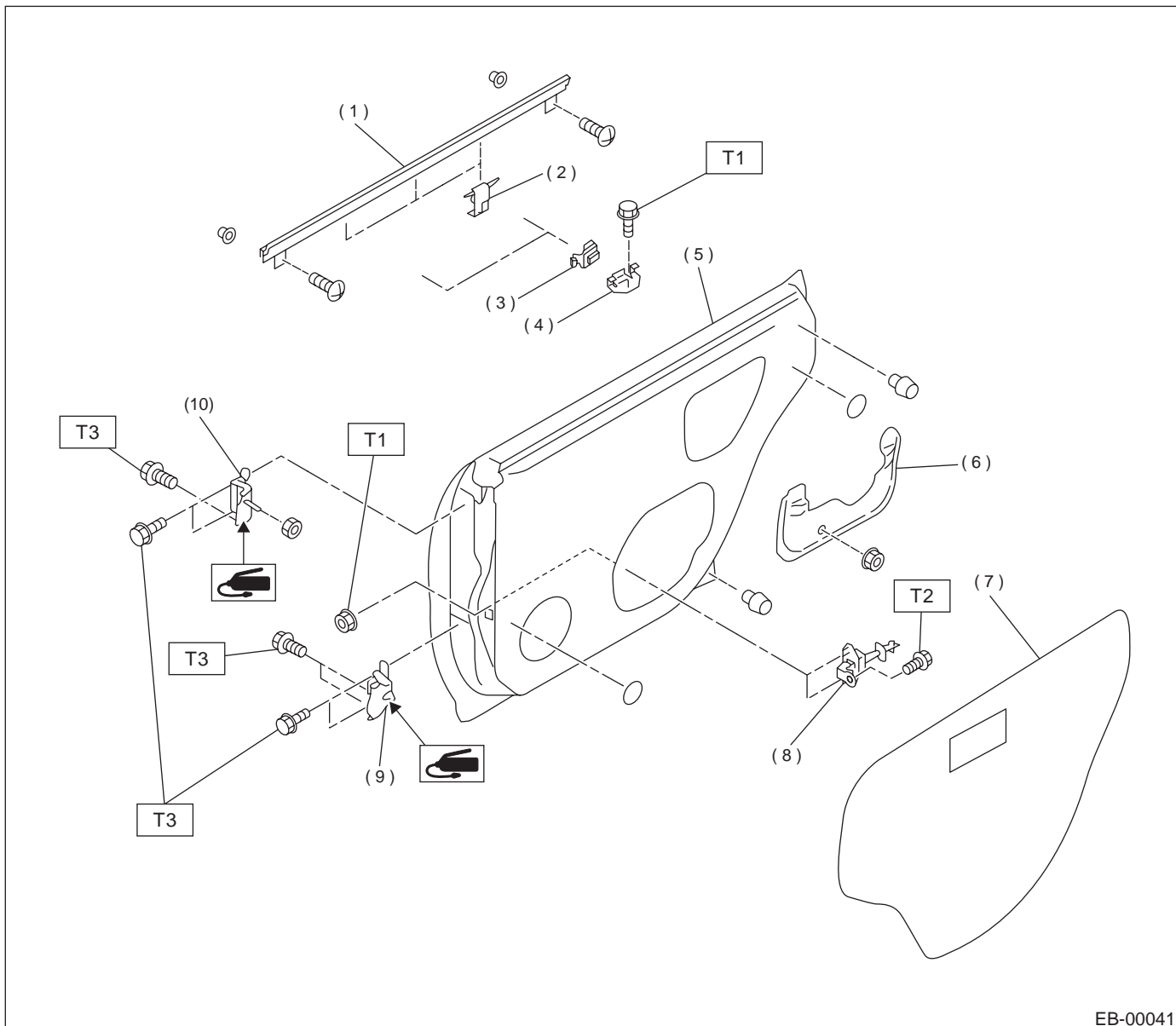
T2: 18 (1.8, 13)

T3: 30 (3.1, 22.4)

GENERAL DESCRIPTION

EXTERIOR BODY PANELS

3. REAR DOOR PANEL



EB-00041

- | | |
|--------------------------------|-------------------|
| (1) Weatherstrip (Outer) | (7) Sealing cover |
| (2) Clip (Weatherstrip, outer) | (8) Checker |
| (3) Stabilizer (Outer) | (9) Lower hinge |
| (4) Stabilizer (Inner) | (10) Upper hinge |
| (5) Door panel | |
| (6) Bracket | |

Tightening torque: N·m (kgf-m, ft-lb)

T1: 7.35 (0.75, 5.4)

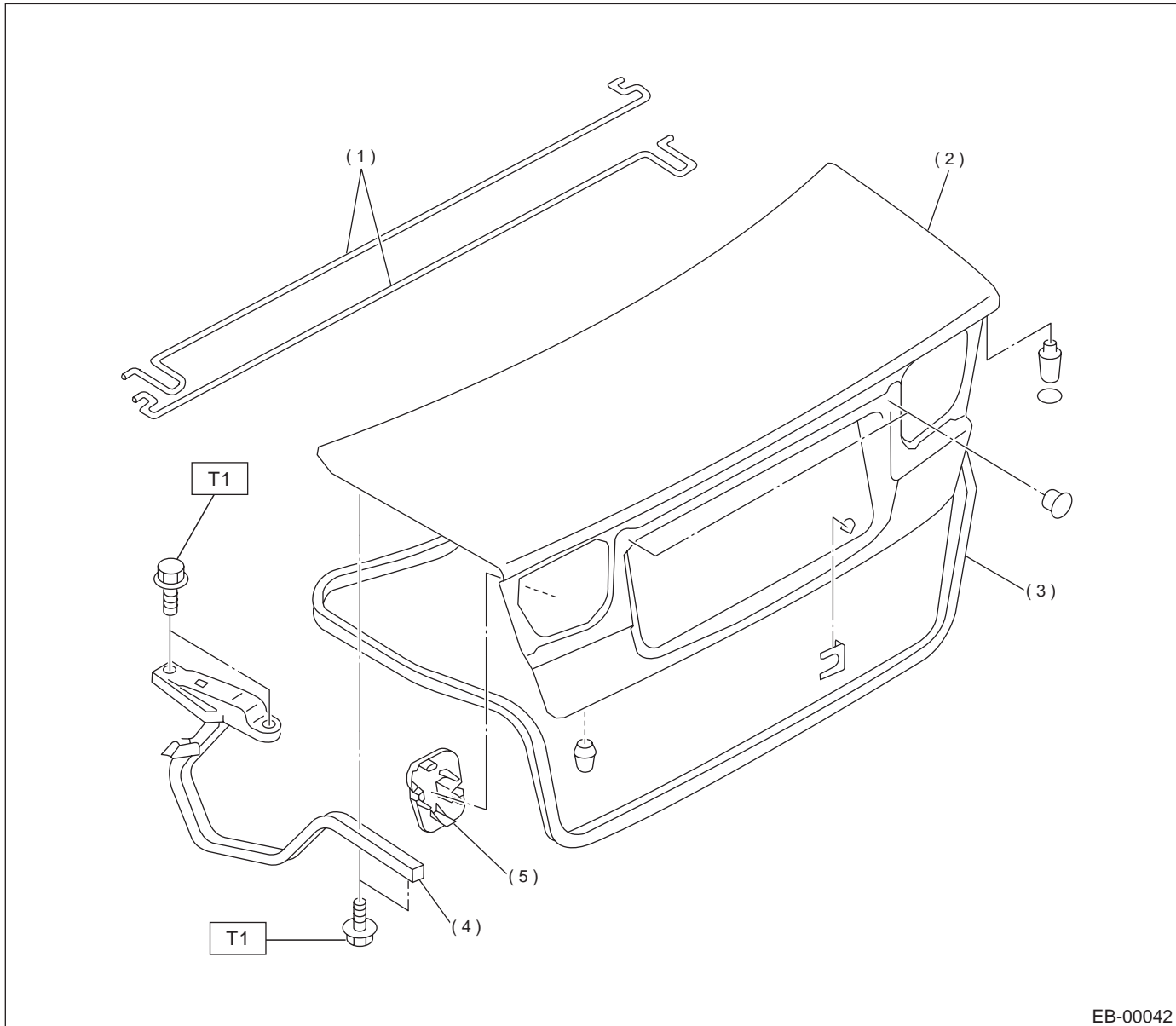
T2: 18 (1.8, 13)

T3: 30 (3.1, 22.4)

GENERAL DESCRIPTION

EXTERIOR BODY PANELS

4. TRUNK LID PANEL



- (1) Torsion bar
- (2) Trunk lid
- (3) Weatherstrip

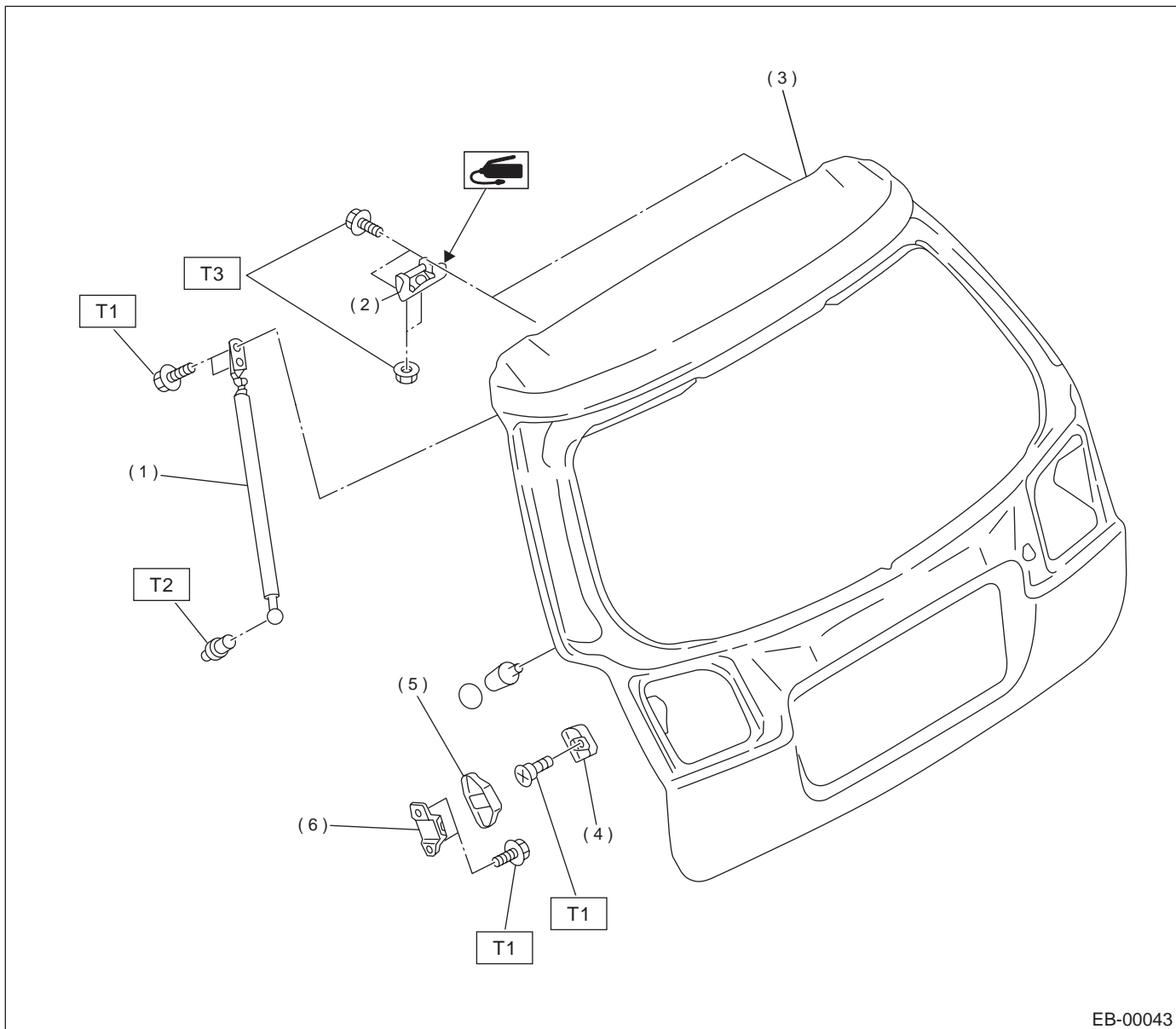
- (4) Hinge ASSY
- (5) Cover

Tightening torque: N·m (kgf-m, ft-lb)
T1: 18 (1.8, 13)

GENERAL DESCRIPTION

EXTERIOR BODY PANELS

5. REAR GATE PANEL



- (1) Gas stay
- (2) Hinge
- (3) Rear gate

- (4) Buffer (Rear gate)
- (5) Buffer cover
- (6) Buffer (Back door)

Tightening torque: N·m (kgf-m, ft-lb)

T1: 7.5 (0.76, 5.5)

T2: 14 (1.4, 10.1)

T3: 25 (2.5, 18.1)

GENERAL DESCRIPTION

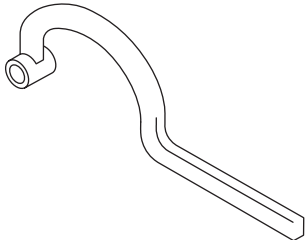
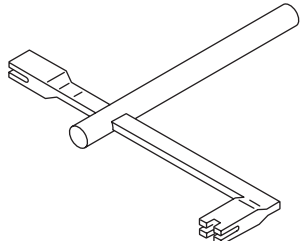
EXTERIOR BODY PANELS

C: CAUTION

- Exterior body panels are heavy. Do not drop and damage the panels. During removal and installation, do not damage the panel painting surface.
- While removing mounting bolts, using assistance devices such as a support jack will help support the panel.
- Be careful not to lose small parts.

D: PREPARATION TOOL

1. SPECIAL TOOLS

ILLUSTRATION	TOOL NUMBER	DESCRIPTION	REMARKS
 ST-925610000	925610000	WRENCH	Used for removing and installing door hinge.
 ST-927780000	927780000	REMOVER	Used for removing and installing trunk torsion bar.

2. GENERAL TOOL

TOOL NAME	REMARKS
Support Jack	Used for supporting door panel.