

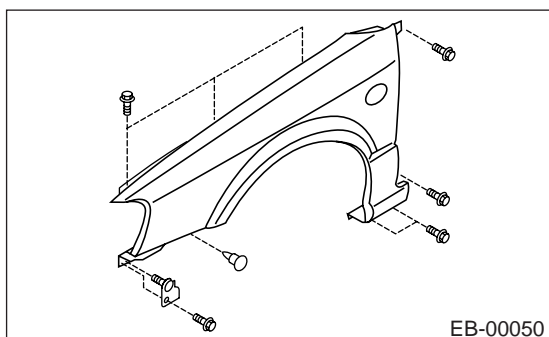
FENDER PANEL

EXTERIOR BODY PANELS

3. Fender Panel

A: REMOVAL

- 1) Disconnect ground cable from battery.
- 2) Remove side sill spoilers. <Ref. to EI-29, REMOVAL, Side Sill Spoiler.> (If fitted)
- 3) Remove side protectors and fender protectors. (OUTBACK)
- 4) Remove front bumper face. <Ref. to EI-14, REMOVAL, Front Bumper.>
- 5) Remove headlights. <Ref. to LI-11, REMOVAL, Headlight Assembly.>
- 6) Remove mud guard. <Ref. to EI-23, REMOVAL, Mud Guard.>
- 7) Remove bolts and clips to remove front fender.



B: INSTALLATION

- 1) Install in the reverse order of removal.
- 2) When fender panel is installed, clearance between fender panel and hood or front fender must be equal.

Tightening torque:

7.35 N·m (0.75 kgf-m, 5.4 ft-lb)

EB-10