

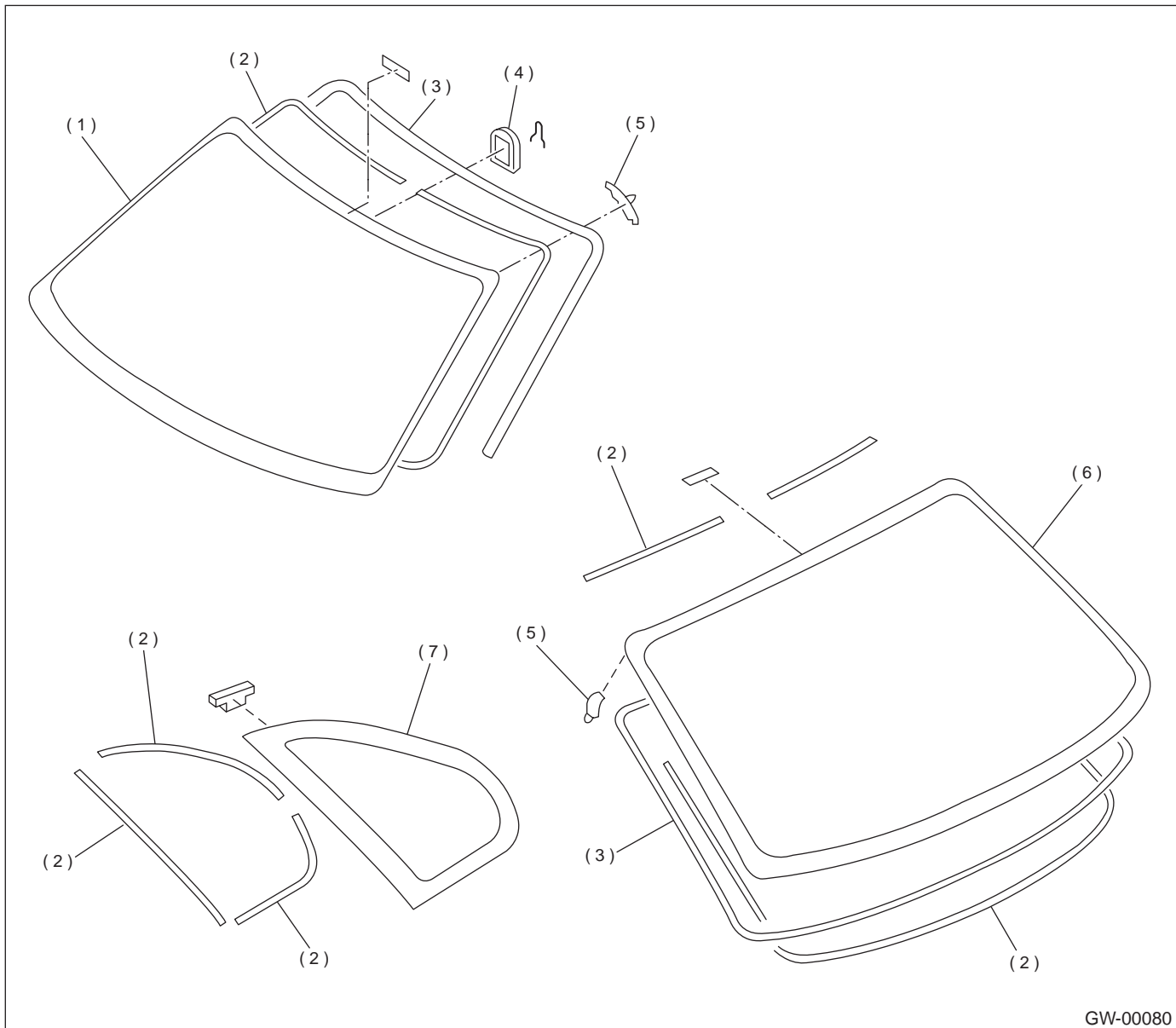
GENERAL DESCRIPTION

GLASS/WINDOWS/MIRRORS

1. General Description

A: COMPONENT

1. FIXED GLASS (SEDAN)



GW-00080

- (1) Windshield glass
- (2) Dam rubber
- (3) Molding

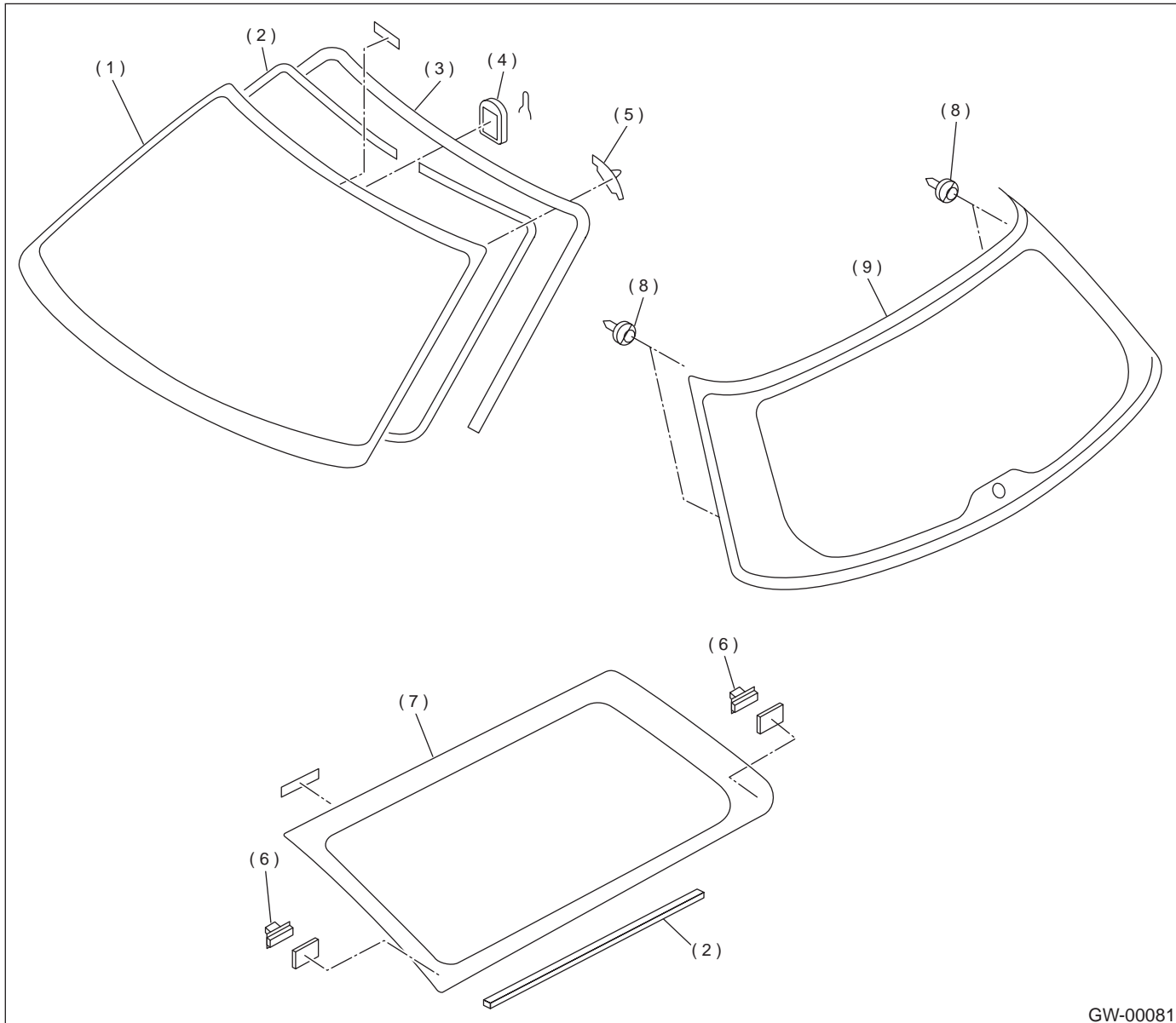
- (4) Rearview mirror mount
- (5) Locate pin
- (6) Rear window glass

- (7) 6 light glass

GENERAL DESCRIPTION

GLASS/WINDOWS/MIRRORS

2. FIXED GLASS (WAGON)



GW-00081

- (1) Windshield glass
- (2) Dam rubber
- (3) Molding

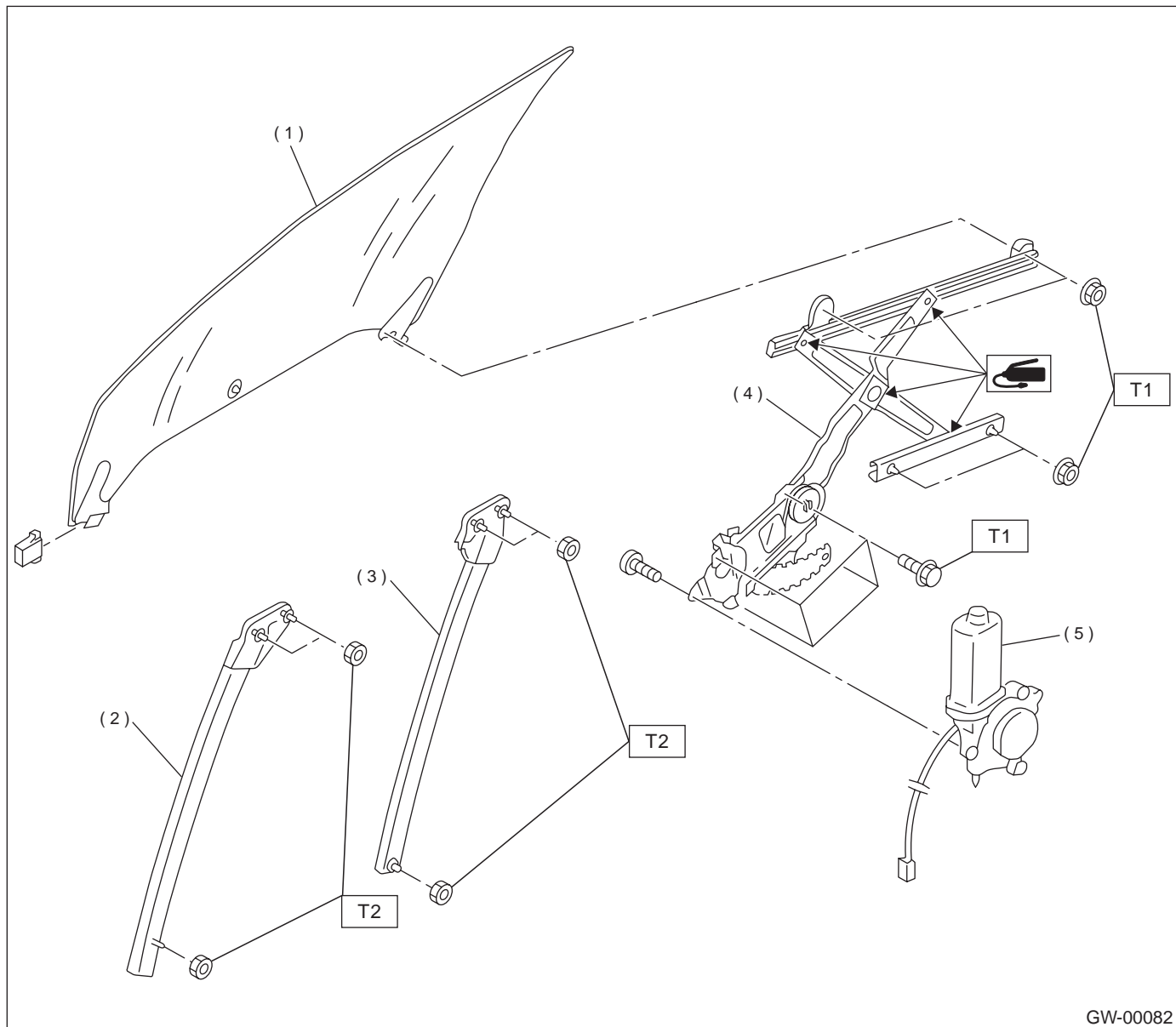
- (4) Rearview mirror mount
- (5) Locate pin
- (6) Fastener

- (7) Rear quarter glass
- (8) Locate pin
- (9) Glass

GENERAL DESCRIPTION

GLASS/WINDOWS/MIRRORS

3. FRONT DOOR GLASS



- (1) Glass
- (2) Door sash (Front)
- (3) Door sash (Rear)
- (4) Regulator ASSY

- (5) Motor ASSY

Tightening torque: N·m (kgf-m, ft-lb)

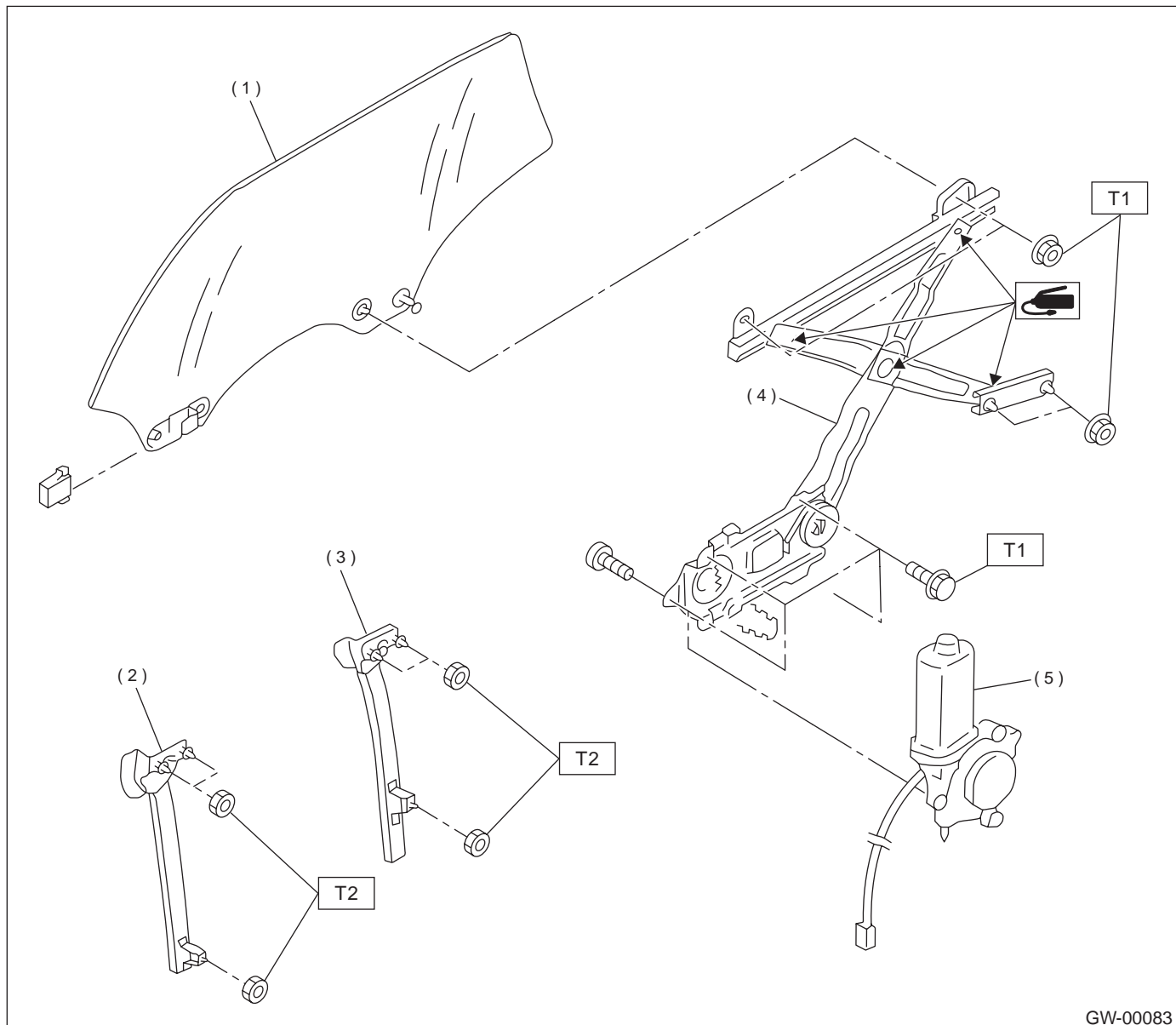
T1: 7.35 (0.75, 5.4)

T2: 14 (1.4, 10.1)

GENERAL DESCRIPTION

GLASS/WINDOWS/MIRRORS

4. REAR DOOR GLASS



- (1) Glass
- (2) Door sash (Front)
- (3) Door sash (Rear)
- (4) Regulator ASSY

- (5) Motor ASSY

Tightening torque: N·m (kgf-m, ft-lb)

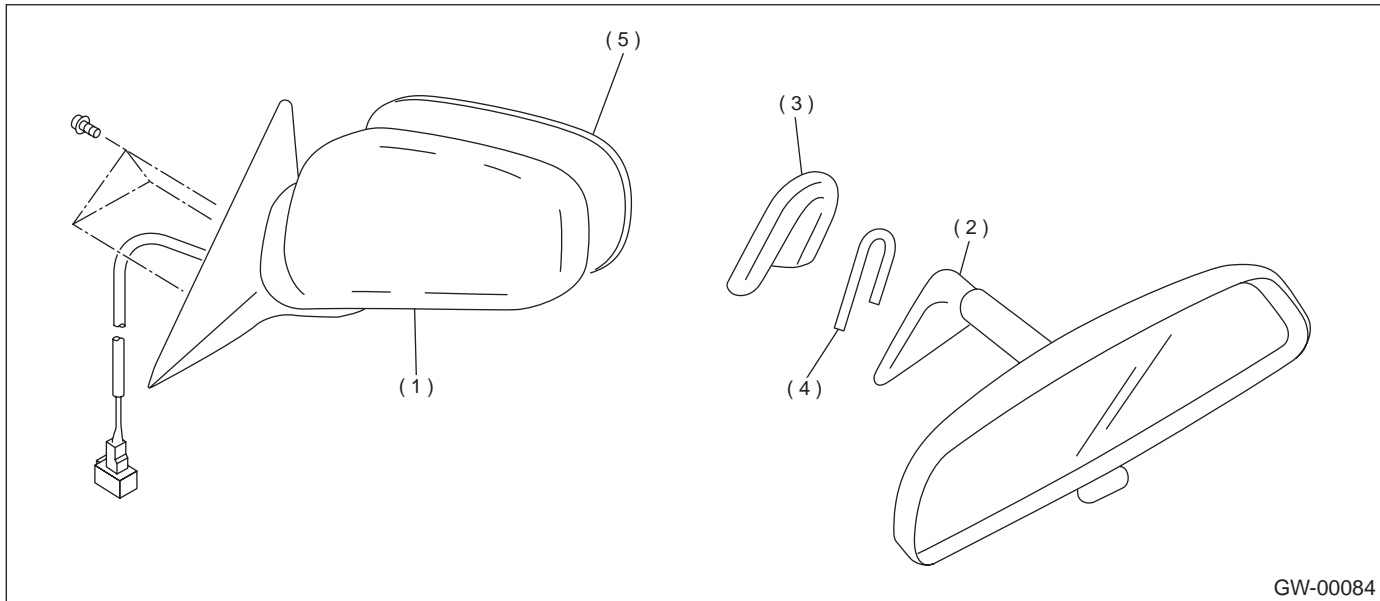
T1: 7.35 (0.75, 5.4)

T2: 14 (1.4, 10.1)

GENERAL DESCRIPTION

GLASS/WINDOWS/MIRRORS

5. MIRRORS



- (1) Outer mirror
- (2) Inner rearview mirror

- (3) Mount
- (4) Spring

- (5) Mirror

GENERAL DESCRIPTION

GLASS/WINDOWS/MIRRORS

B: CAUTION

- When electrical connectors are disconnected, always conduct an operational check after connecting them again.
- Avoid impact and damage to the glass.

C: PREPARATION TOOL

TOOL NAME	REMARKS
Circuit Tester	Used for checking voltage and continuity.
Piano Wire	Used for window glass removal.
Windshield Knife	Used for window glass removal.