

FRONT REGULATOR AND MOTOR ASSEMBLY

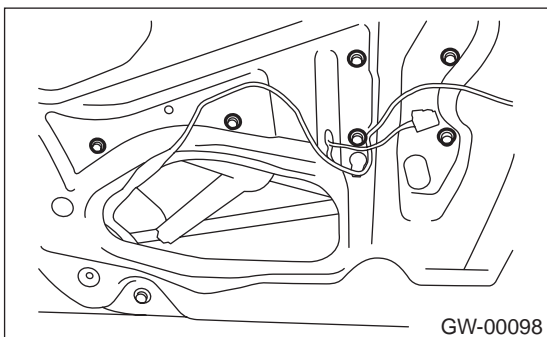
GLASS/WINDOWS/MIRRORS

7. Front Regulator and Motor Assembly

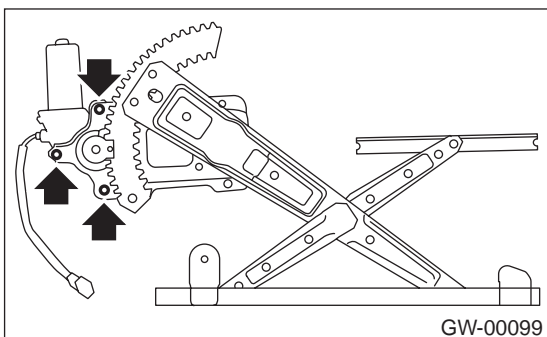
2) Change polarity of battery connections to terminals to ensure that motor rotates in reverse direction.

A: REMOVAL

- 1) Remove door trim. <Ref. to EI-32, REMOVAL, Front Door Trim.>
- 2) Remove sealing cover. <Ref. to EB-13, REMOVAL, Front Sealing Cover.>
- 3) Remove inner remote. <Ref. to SL-30, REMOVAL, Front Inner Remote.>
- 4) Remove door glass. <Ref. to GW-12, REMOVAL, Front Door Glass.>
- 5) Disconnect electrical connector.
- 6) Loosen four bolts and two nuts to pull out regulator assembly.



- 7) Loosen screws to remove motor assembly.



B: INSTALLATION

- 1) Install in the reverse order of removal.
- 2) Adjust front door glass. <Ref. to GW-13, Adjustment.>

Tightening torque:

Refer to COMPONENT in General Description. <Ref. to EB-4, FRONT DOOR PANEL, COMPONENT, General Description.> and <Ref. to GW-4, FRONT DOOR GLASS, COMPONENT, General Description.>

C: INSPECTION

- 1) Make sure that power window motor rotates properly when battery voltage is applied to terminals of motor connector.