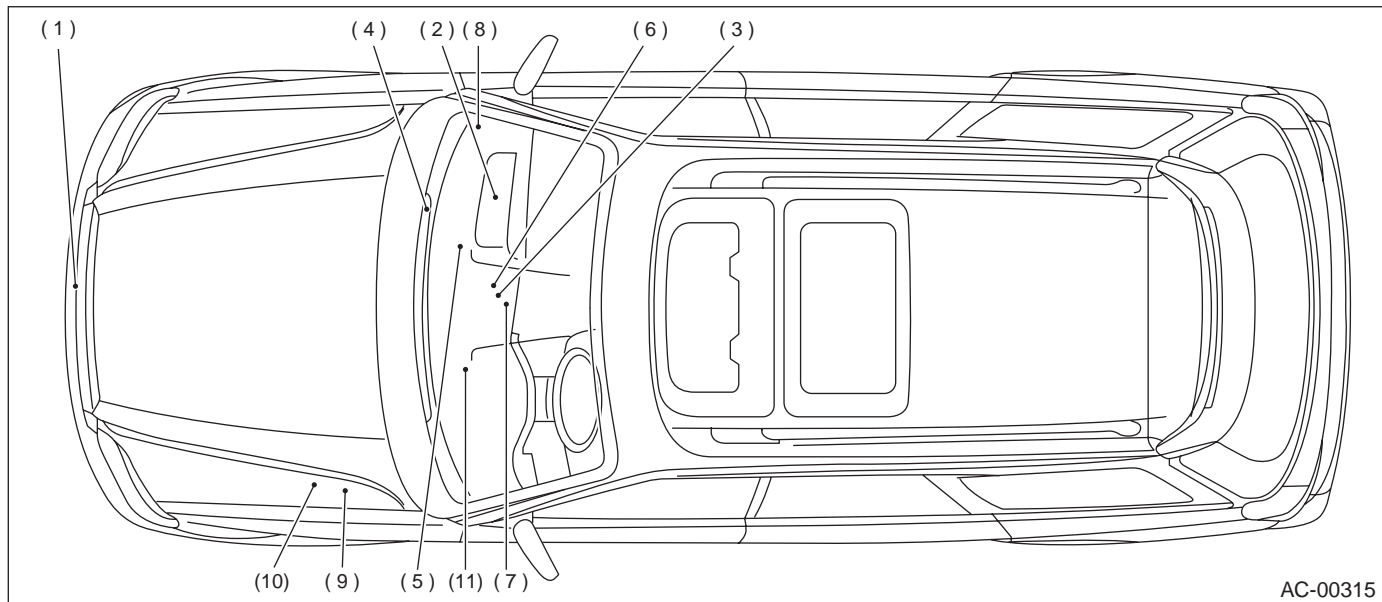


ELECTRICAL COMPONENTS LOCATION

HVAC SYSTEM (AUTO A/C) (DIAGNOSTICS)

3. Electrical Components Location

A: LOCATION



- (1) Ambient sensor
- (2) Blower motor
- (3) In-vehicle sensor
- (4) Sunload sensor

- (5) Evaporator sensor
- (6) Auto A/C control module
- (7) Air mix door actuator
- (8) Intake door actuator

- (9) A/C relay
- (10) A/C fuse
- (11) Mode door actuator