

## CONTROL UNIT

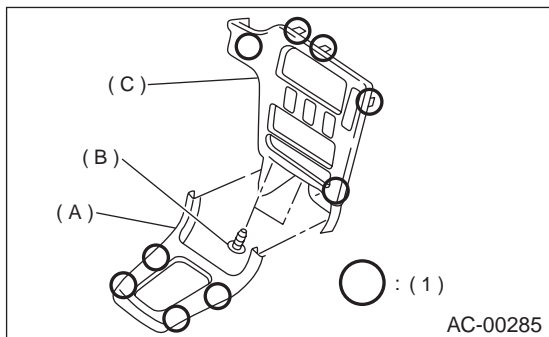
HVAC SYSTEM (HEATER, VENTILATOR AND A/C)

### 11. Control Unit

#### A: REMOVAL

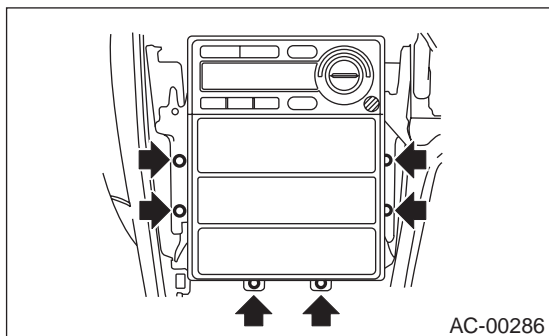
##### 1. AUTO A/C

- 1) Disconnect ground cable from battery.
- 2) Remove front cover (A).
- 3) Loosen 2 screws (B) to remove center panel (C).



(1) Hook pawl

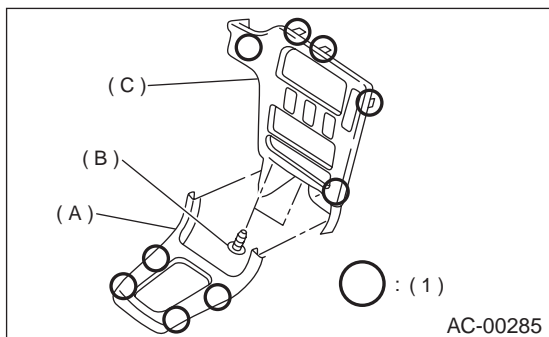
- 4) Loosen screws to pull control unit slightly out of center console.



- 5) Disconnect connector from antenna cable to remove control unit.

##### 2. MANUAL A/C

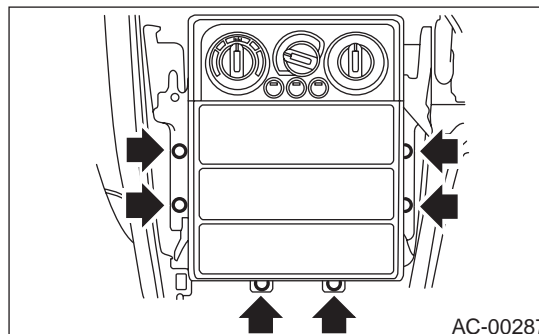
- 1) Disconnect ground cable from battery.
- 2) Remove front cover (A).
- 3) Loosen 2 screws (B) to remove center panel (C).



(1) Hook pawl

- 4) Set temperature control switch to "FULL HOT", and disconnect temperature control cable from heater unit.

- 5) Loosen screws to pull control unit slightly out of center console.



- 6) Disconnect connector from antenna cable to remove control unit.

#### B: INSTALLATION

##### 1. AUTO A/C

Install in the reverse order of removal.

##### 2. MANUAL A/C

- 1) Install in the reverse order of removal.
- 2) Before installation, set temperature control switch to "FULL HOT".