

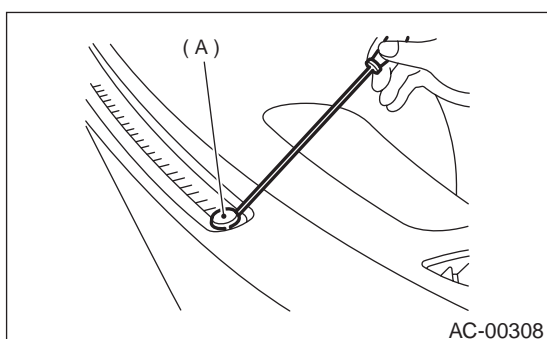
SUNLOAD SENSOR (AUTO A/C)

HVAC SYSTEM (HEATER, VENTILATOR AND A/C)

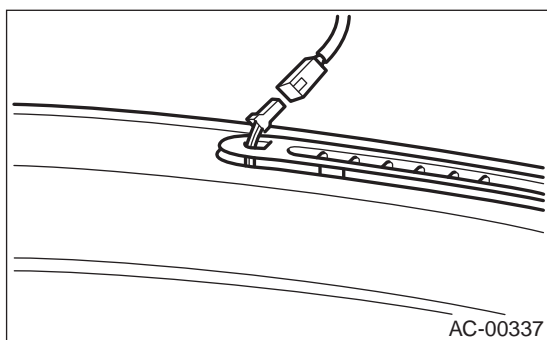
21. Sunload Sensor (Auto A/C)

A: REMOVAL

- 1) Disconnect ground cable from battery.
- 2) Insert a slotted screwdriver to remove sunload sensor.



- 3) Disconnect sunload sensor connector.



CAUTION:

Be careful not to damage sensors and interior trims when removing them.

B: INSTALLATION

Install in the reverse order of removal.

C: INSPECTION

<Ref. to AC-30, DTC 25 OR -25 (SUNLOAD SENSOR), Diagnostic Procedure with Diagnostic Trouble Code (DTC).>