

AIR VENT GRILLE

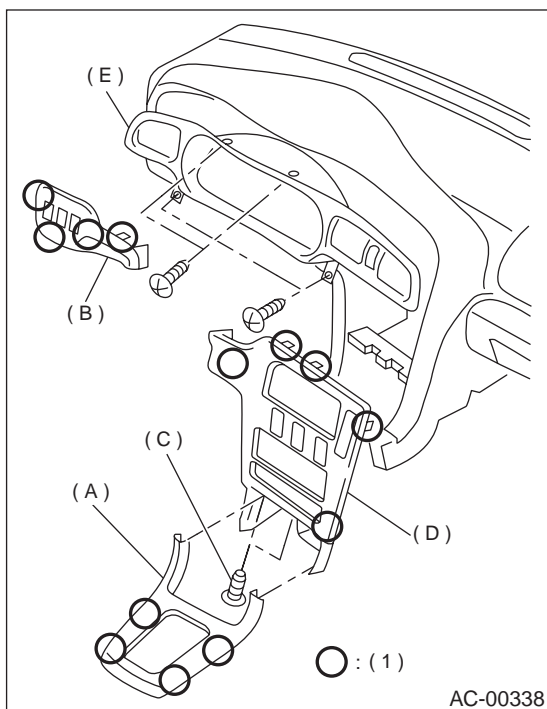
HVAC SYSTEM (HEATER, VENTILATOR AND A/C)

22. Air Vent Grille

A: REMOVAL

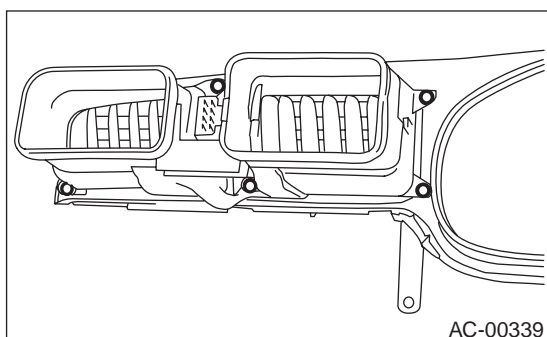
1. AIR VENT GRILLE DRIVER SIDE

- 1) Disconnect ground cable from battery.
- 2) Set tilt steering to the lowest position.
- 3) Disconnect each electrical connector to remove front cover (A) and switch panel (B).
- 4) Loosen screw (C) to remove center panel (D).
- 5) Remove meter visor (E).



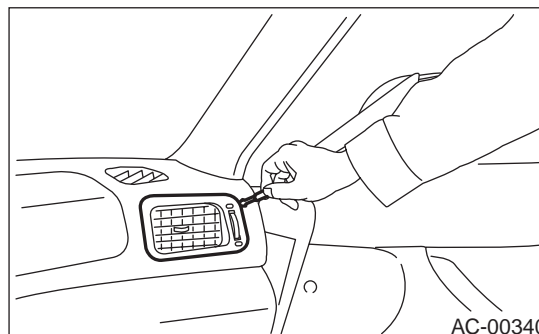
(1) Hook pawl

- 6) Loosen screws to remove grille.



2. AIR VENT GRILLE PASSENGER SIDE

- 1) Remove grille using sharp-edged screwdriver.



CAUTION:
Wrap screwdriver with vinyl tape to prevent damage to interior parts.

B: INSTALLATION

Install in the reverse order of removal.

C: INSPECTION

The direction and amount of air should be adjusted smoothly.

The adjustment should be kept in each position.