

SPEEDOMETER

INSTRUMENTATION/DRIVER INFO

4. Speedometer

A: REMOVAL

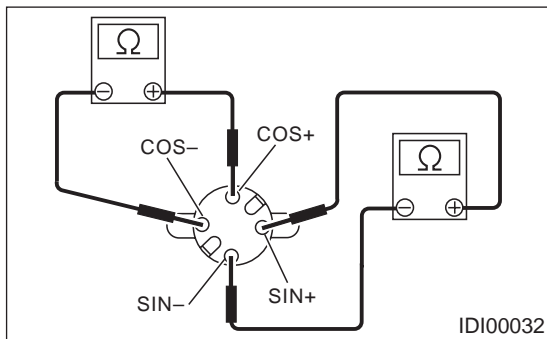
Disassemble combination meter, and then remove speedometer and fuel gauge assembly. <Ref. to IDI-12, DISASSEMBLY, Combination Meter Assembly.>

B: INSTALLATION

Install in the reverse order of removal.

C: INSPECTION

Measure speedometer resistance.



| Terminal | Resistance |
|-------------------------|------------|
| Terminals SIN+ and SIN- | 200±8 Ω |
| Terminals COS+ and COS- | 200±8 Ω |

If NG, replace speedometer and fuel gauge assembly.

If OK, replace combination meter printed circuit.

IDI-14