

TACHOMETER

INSTRUMENTATION/DRIVER INFO

5. Tachometer

A: REMOVAL

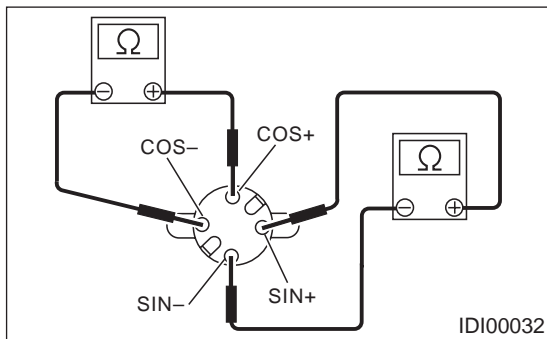
Disassemble combination meter, and then remove tachometer and water temperature gauge assembly. <Ref. to IDI-12, DISASSEMBLY, Combination Meter Assembly.>

B: INSTALLATION

Install in the reverse order of removal.

C: INSPECTION

Measure tachometer resistance.



Terminal	Resistance
Terminals SIN+ and SIN-	200±8 Ω
Terminals COS+ and COS-	200±8 Ω

If NG, replace tachometer and water temperature gauge assembly.

If OK, replace combination meter printed circuit.

IDI-15