

WATER TEMPERATURE GAUGE

INSTRUMENTATION/DRIVER INFO

7. Water Temperature Gauge

A: REMOVAL

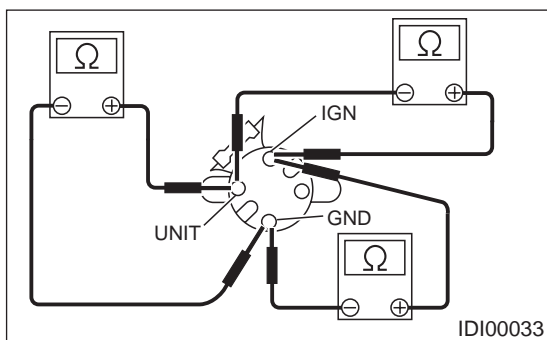
Disassemble combination meter, and then remove tachometer and water temperature gauge assembly. <Ref. to IDI-12, DISASSEMBLY, Combination Meter Assembly.>

B: INSTALLATION

Install in the reverse order of removal.

C: INSPECTION

Measure water temperature gauge resistance.



Terminal	Resistance
Terminals IGN and GND	208±10 Ω
Terminals IGN and UNIT	56±10 Ω
Terminals UNIT and GND	264±10 Ω

If NG, replace tachometer and water temperature gauge assembly.

If OK, replace combination meter printed circuit.

IDI-17