

## HEADLIGHT AND TAIL LIGHT SYSTEM

### LIGHTING SYSTEM

## 2. Headlight and Tail Light System

### A: SCHEMATIC

#### 1. HEADLIGHT 2-LIGHT MODEL

<Ref. to WI-154, 2-LIGHT MODEL, SCHEMATIC, Headlight System.>

#### 2. HEADLIGHT 4-LIGHT MODEL

<Ref. to WI-155, 4-LIGHT MODEL, SCHEMATIC, Headlight System.>

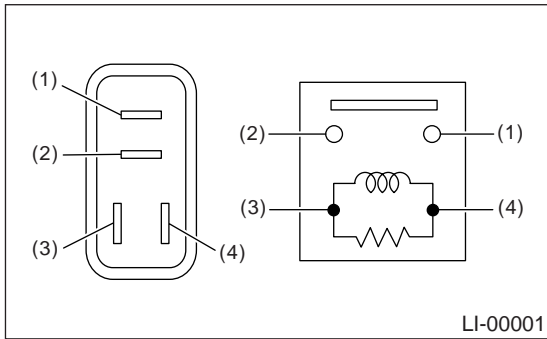
#### 3. CLEARANCE LIGHT AND ILLUMINATION LIGHT

<Ref. to WI-146, SCHEMATIC, Clearance Light and Illumination Light System.>

### B: INSPECTION

#### 1. HEADLIGHT RELAY

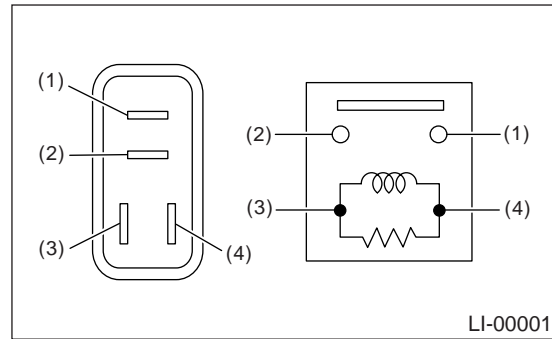
Measure headlight relay resistance between terminals while connecting terminal No. 4 to battery positive terminal No. 3 to battery ground terminal.



Current	Terminal No.	Standard
Flow	1 and 2	Less than 1 Ω
No flow		More than 1 MΩ

#### 2. TAIL AND ILLUMINATION RELAY

Measure tail and illumination relay resistance between terminals while connecting terminal No. 4 to battery positive terminal No. 3 to battery ground terminal.



Current	Terminal No.	Standard
Flow	1 and 2	Less than 1 Ω
No flow		More than 1 MΩ

LI-4