

## TURN SIGNAL AND HAZARD LIGHT SYSTEM

### LIGHTING SYSTEM

## 4. Turn Signal and Hazard Light System

### A: SCHEMATIC

#### 1. TURN SIGNAL LIGHT AND HAZARD LIGHT

<Ref. to WI-172, SCHEMATIC, Turn Signal Light and Hazard Light System.>

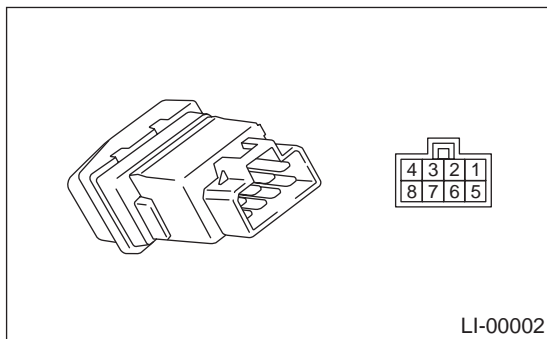
### B: INSPECTION

#### 1. TURN SIGNAL SWITCH

<Ref. to LI-10, INSPECTION, Combination Switch (Light).>

#### 2. HAZARD SWITCH

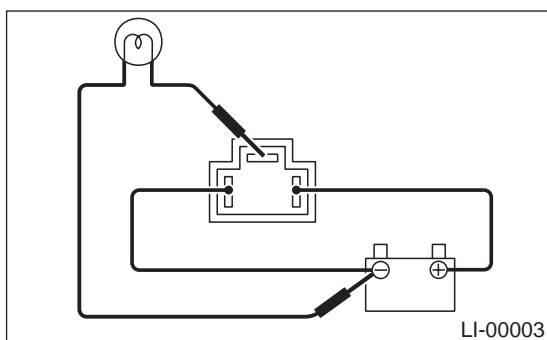
Measure hazard switch resistance.



Switch position	Terminal No.	Standard
OFF	6 and 7	Less than 1 $\Omega$
ON	1, 3 and 4	Less than 1 $\Omega$
	7 and 8	Less than 1 $\Omega$

#### 3. TURN SIGNAL & HAZARD MODULE

Connect battery and turn signal light bulb to the module, as shown in the figure. The module is properly functioning if it blinks when power is supplied to the circuit.



LI-6