

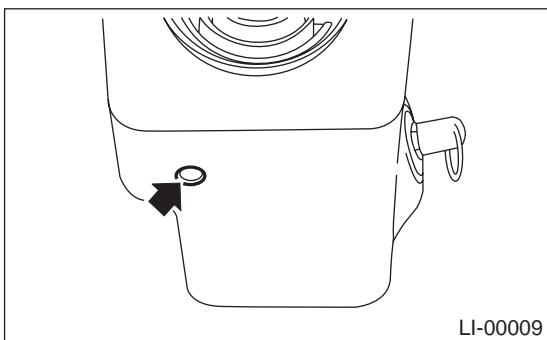
## COMBINATION SWITCH (LIGHT)

LIGHTING SYSTEM

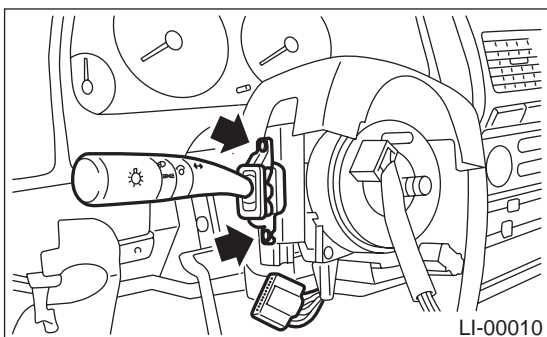
### 8. Combination Switch (Light)

#### A: REMOVAL

- 1) Disconnect ground cable from battery.
- 2) Remove instrument panel lower cover. <Ref. to EI-37, REMOVAL, Instrument Panel Assembly.>
- 3) Remove screws which secure upper column cover to lower column cover.



- 4) Disconnect connector from combination switch.
- 5) Remove screws which secure switch and remove switch.

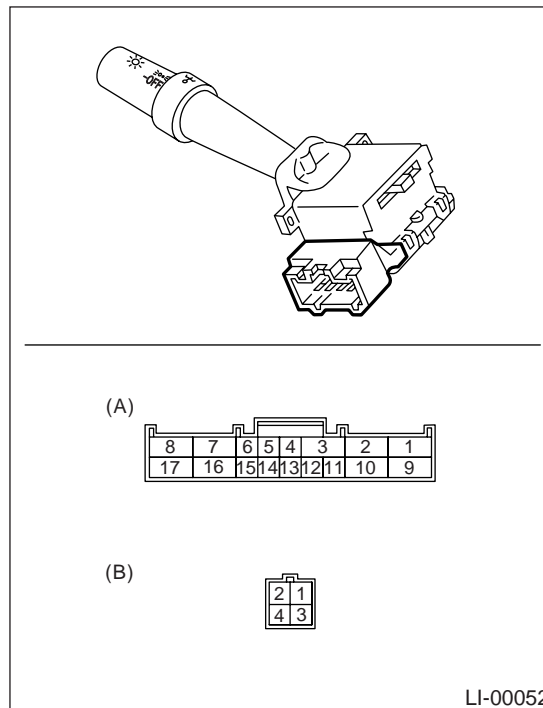


#### B: INSTALLATION

Install in the reverse order of removal.

#### C: INSPECTION

Measure combination switch resistance.



- (A) Lighting and turn signal switch connector  
 (B) Parking switch connector

#### 1. LIGHTING SWITCH

Switch position	Terminal No.	Standard
OFF	—	More than 1 MΩ
Tail	14 and 16	Less than 1 Ω
Head	13, 14 and 16	Less than 1 Ω

#### 2. DIMMER AND PASSING SWITCH

Switch position	Terminal No.	Standard
Passing	7, 8 and 16	Less than 1 Ω
Low beam	16 and 17	Less than 1 Ω
High beam	7 and 16	Less than 1 Ω

#### 3. TURN SIGNAL SWITCH

Switch position	Terminal No.	Standard
Left	1 and 2	Less than 1 Ω
Neutral	—	More than 1 MΩ
Right	2 and 3	Less than 1 Ω

#### 4. PARKING SWITCH

Switch position	Terminal No.	Standard
OFF	2 and 4	Less than 1 Ω
ON	1 and 4	Less than 1 Ω