

## FRONT FOG LIGHT ASSEMBLY

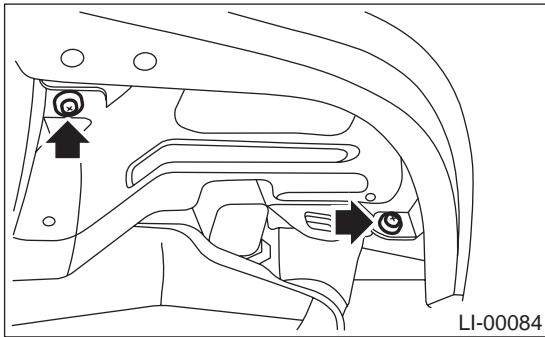
LIGHTING SYSTEM

### 13. Front Fog Light Assembly

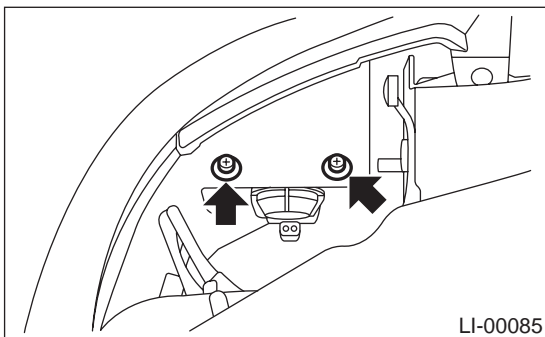
#### A: REMOVAL

##### 1. EXCEPT OUTBACK

- 1) Disconnect ground cable from battery.
- 2) Remove two clips and lower the mudguard.

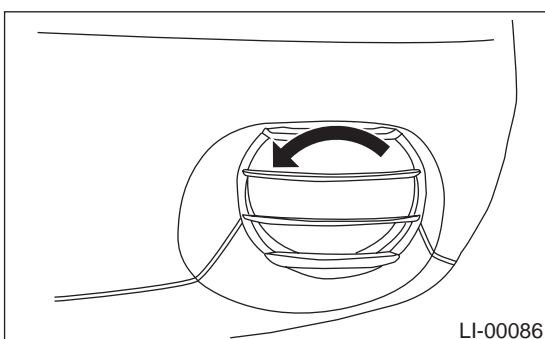


- 3) Disconnect harness connector.
- 4) Remove mounting bolts, and then detach fog light assembly.

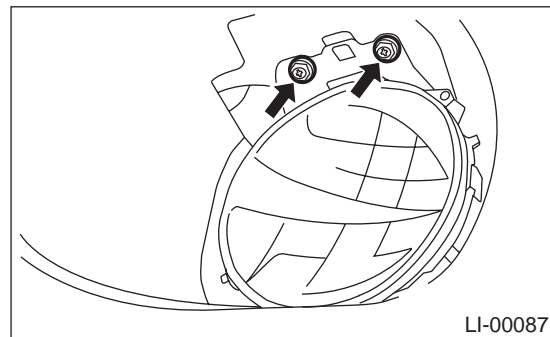


##### 2. OUTBACK

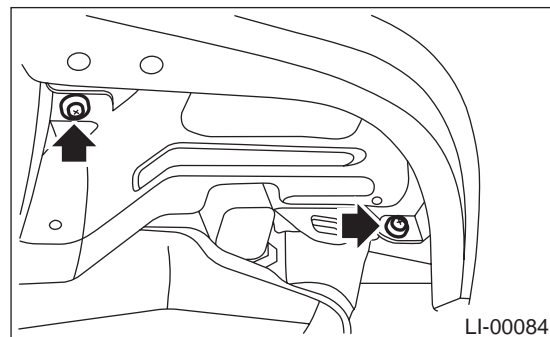
- 1) Disconnect ground cable from battery.
- 2) Turn stone guard counterclockwise, and then remove it.



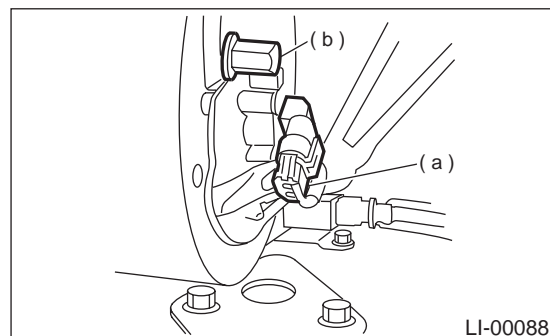
- 3) Remove mounting bolts.



- 4) Remove two clips and lower the mudguard.



- 5) Disconnect harness connector (a).
- 6) Remove nut (b) then detach fog light assembly.



#### B: INSTALLATION

Install in the reverse order of removal.