

## REAR FINISHER LIGHT ASSEMBLY

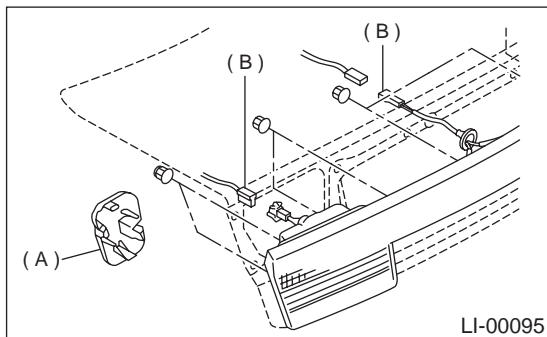
### LIGHTING SYSTEM

## 16. Rear Finisher Light Assembly

### A: REMOVAL

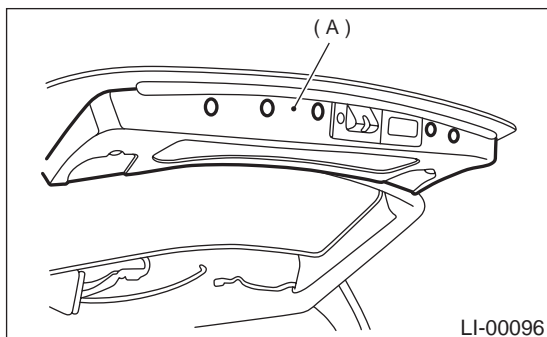
#### 1. SEDAN

- 1) Disconnect ground cable from battery.
- 2) Open the trunk lid.
- 3) Remove cover (A).
- 4) Disconnect connector (B) from rear finisher light.
- 5) Remove ten nuts and then detach rear finisher light from trunk lid.

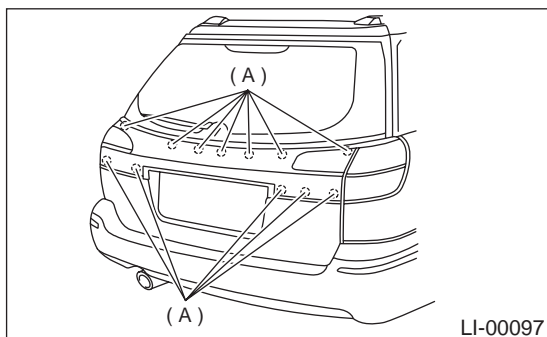


#### 2. WAGON

- 1) Disconnect ground cable from battery.
- 2) Remove rear gate trim (A). <Ref. to EI-47, REMOVAL, Rear Gate Trim.>



- 3) Disconnect connector from rear finisher light.
- 4) Remove nuts (A) and then remove rear finisher light from rear gate.



### B: INSTALLATION

Install in the reverse order of removal.