

## BRAKE/TAIL LIGHT BULB

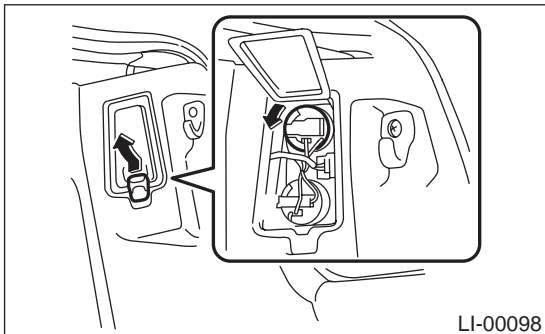
LIGHTING SYSTEM

### 17.Brake/Tail Light Bulb

#### A: REMOVAL

##### 1. SEDAN (COMBINATION LIGHT)

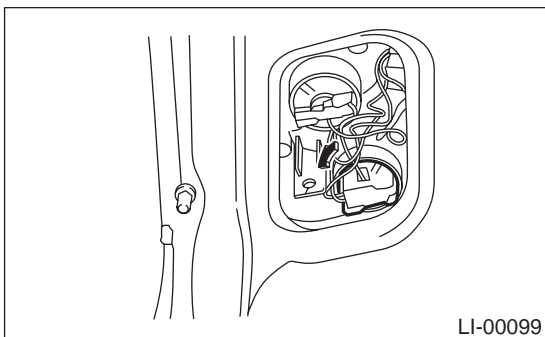
- 1) Open trunk lid and remove cover.



- 2) Turn the socket and remove the bulb.

##### 2. SEDAN (FINISHER LIGHT)

- 1) Open trunk lid and remove cover.

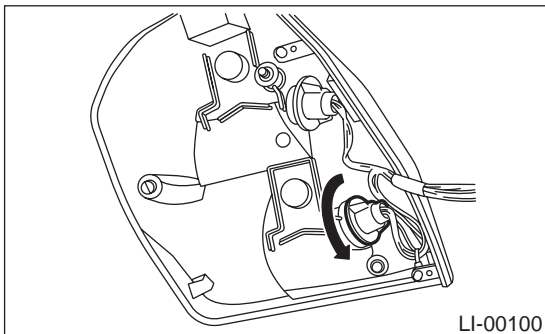


- 2) Turn the socket and remove the bulb.

##### 3. WAGON (COMBINATION LIGHT)

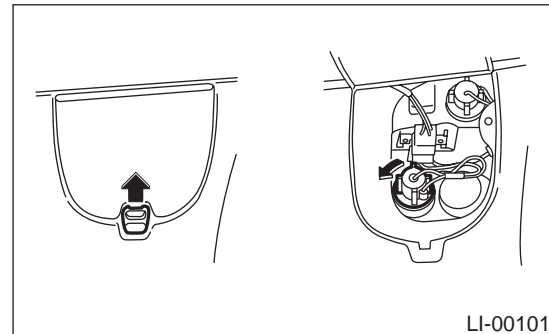
- 1) Remove rear combination light assembly. <Ref. to LI-19, WAGON, REMOVAL, Rear Combination Light Assembly.>

- 2) Turn the socket and remove the bulb.



##### 4. WAGON (FINISHER LIGHT)

- 1) Open rear gate lower trim cover.



- 2) Turn the socket and remove the bulb.

#### B: INSTALLATION

Install in the reverse order of removal.

#### C: INSPECTION

- 1) Visually check the bulb for blow out.
- 2) Check the bulb specification. <Ref. to LI-2, SPECIFICATIONS, General Description.>
- 3) If NG, replace the bulb with a new one.