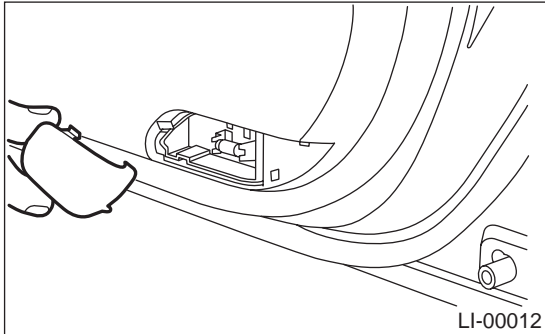


27. Door Step Light

A: REMOVAL

Remove the lens then detach the bulb.



B: INSTALLATION

Install in the reverse order of removal.

C: INSPECTION

- 1) Visually check the bulb for blow out.
- 2) Check the bulb specification. <Ref. to LI-2, SPECIFICATIONS, General Description.>
- 3) If NG, replace the bulb with a new one.

DOOR STEP LIGHT

LIGHTING SYSTEM

MEMO: