

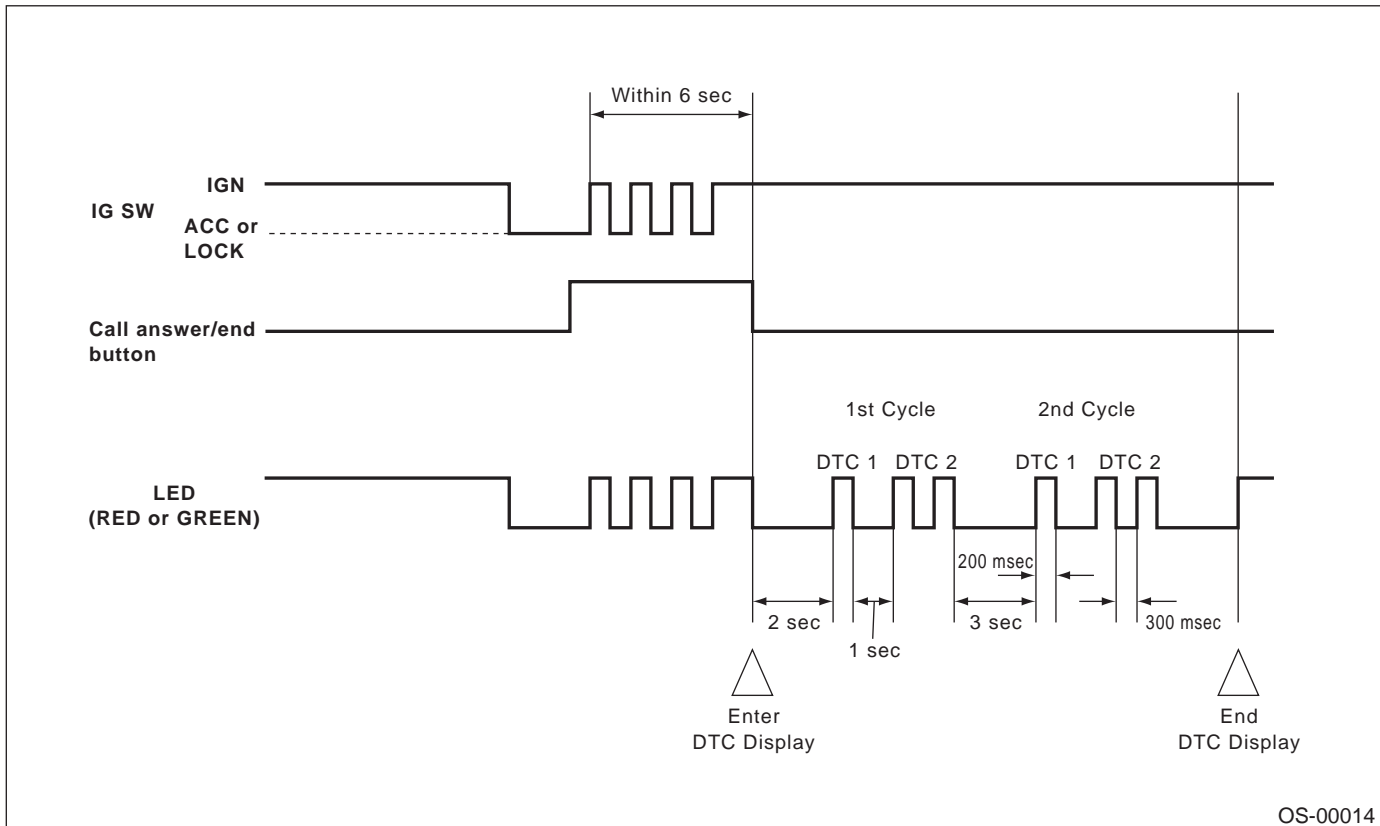
READ DIAGNOSTIC TROUBLE CODE (DTC)

OnStar (R) (Diagnostics)

5. Read Diagnostic Trouble Code (DTC)

A: OPERATION

- 1) Turn ignition switch to OFF.
- 2) Perform the following job steps within 6 seconds.
- 3) Change the ignition switch from ON to OFF 3 times with pressing call answer/end button.
- 4) Turn ignition to ON at the 4th switching action.
- 5) When the call answer/end button is released, LED will blink to indicate DTC.



OS-00014

NOTE:

- Current DTC will be indicated by the red LED.
- Former DTC will be indicated by the green LED.
- Current DTC will be indicated first, and then former DTC will be indicated.
- DTC will be displayed in order of numerical sequence from smallest.
- DTC will be indicated in 2 times.

OS-10