

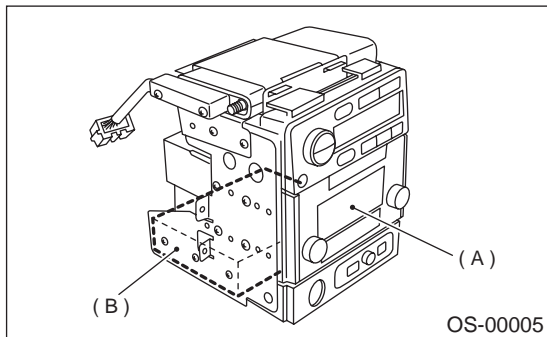
VEHICLE INTERFACE UNIT VIU

OnStar (R)

2. Vehicle Interface Unit VIU

A: REMOVAL

- 1) Disconnect the ground cable from battery.
- 2) Remove meter visor. <Ref. to IDI-12, REMOVAL, Combination Meter Assembly.>
- 3) Remove audio body. <Ref. to ET-5, REMOVAL, Radio Body.>
- 4) Remove VIU from the audio body.



- (A) Audio body
(B) VIU

B: INSTALLATION

Install in the reverse order of removal.

Tightening torque:

2.2 N·m (0.22 kgf-m, 1.6 ft-lb)

NOTE:

When changing VIU, consult the OnStar (R) call center and request setup.