

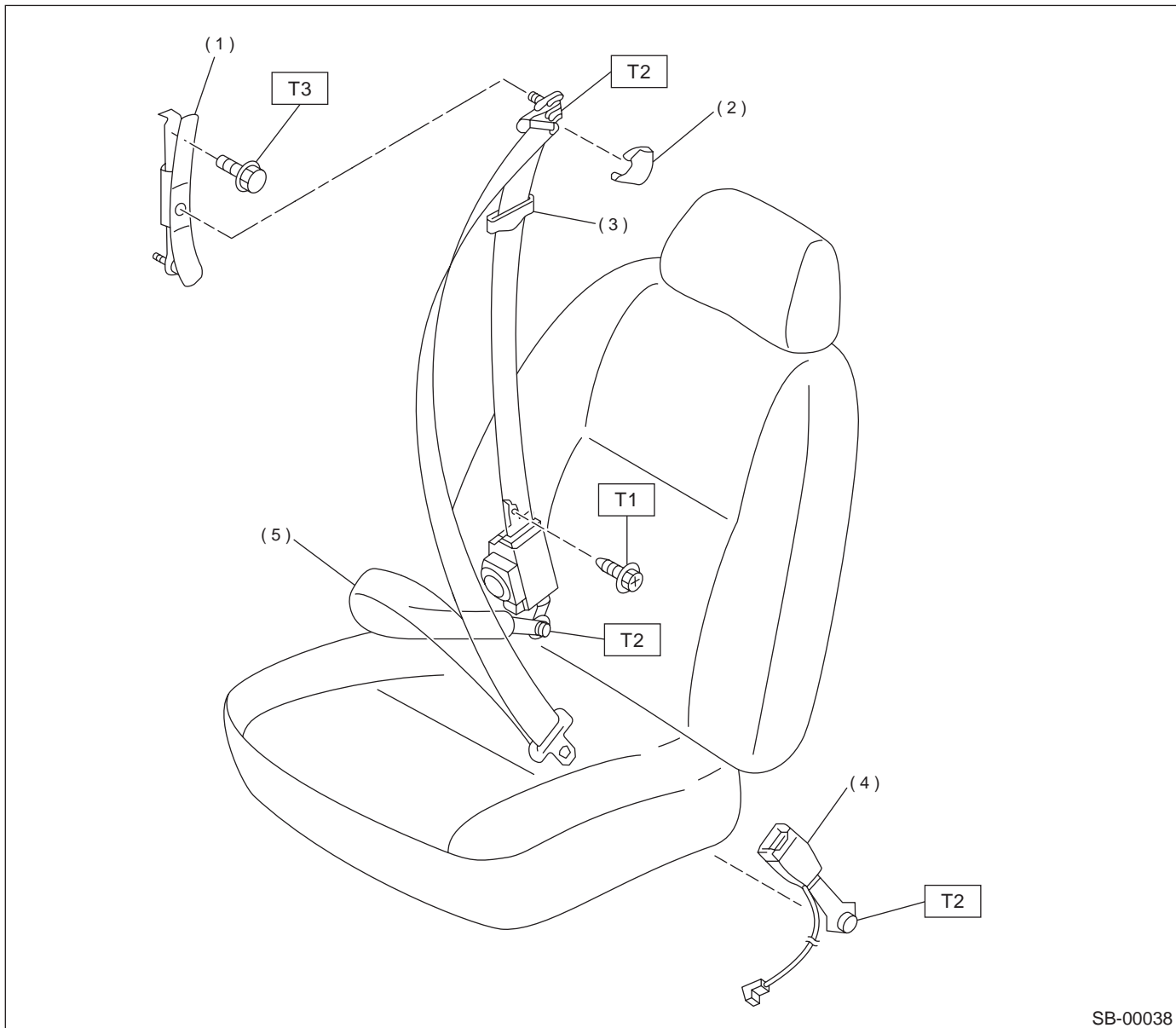
GENERAL DESCRIPTION

SEAT BELT SYSTEM

1. General Description

A: COMPONENT

1. FRONT SEAT BELT



- (1) Adjuster anchor ASSY
- (2) Anchor cover
- (3) Webbing guide
- (4) Inner belt ASSY

- (5) Outer belt ASSY

Tightening torque: N·m (kgf·m, ft·lb)

T1: 7.5 (0.76, 5.5)

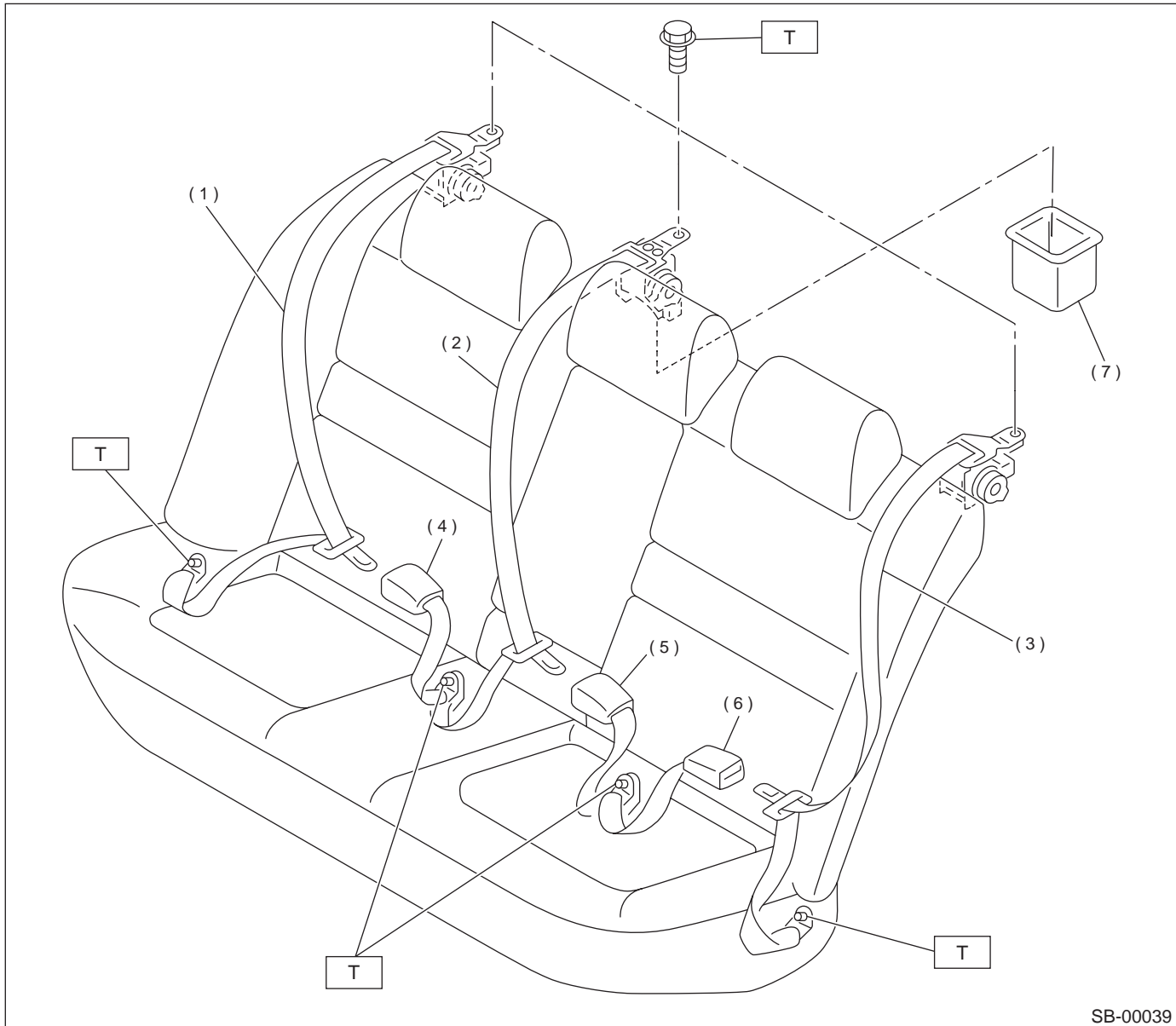
T2: 30 (3.1, 22)

T3: 53 (5.4, 39)

GENERAL DESCRIPTION

SEAT BELT SYSTEM

2. REAR SEAT BELT (SEDAN BODY)



- (1) Outer seat belt RH
- (2) Outer seat belt CENTER
- (3) Outer seat belt LH
- (4) Inner seat belt RH

- (5) Inner seat belt CENTER
- (6) Inner seat belt LH
- (7) Case center ELR

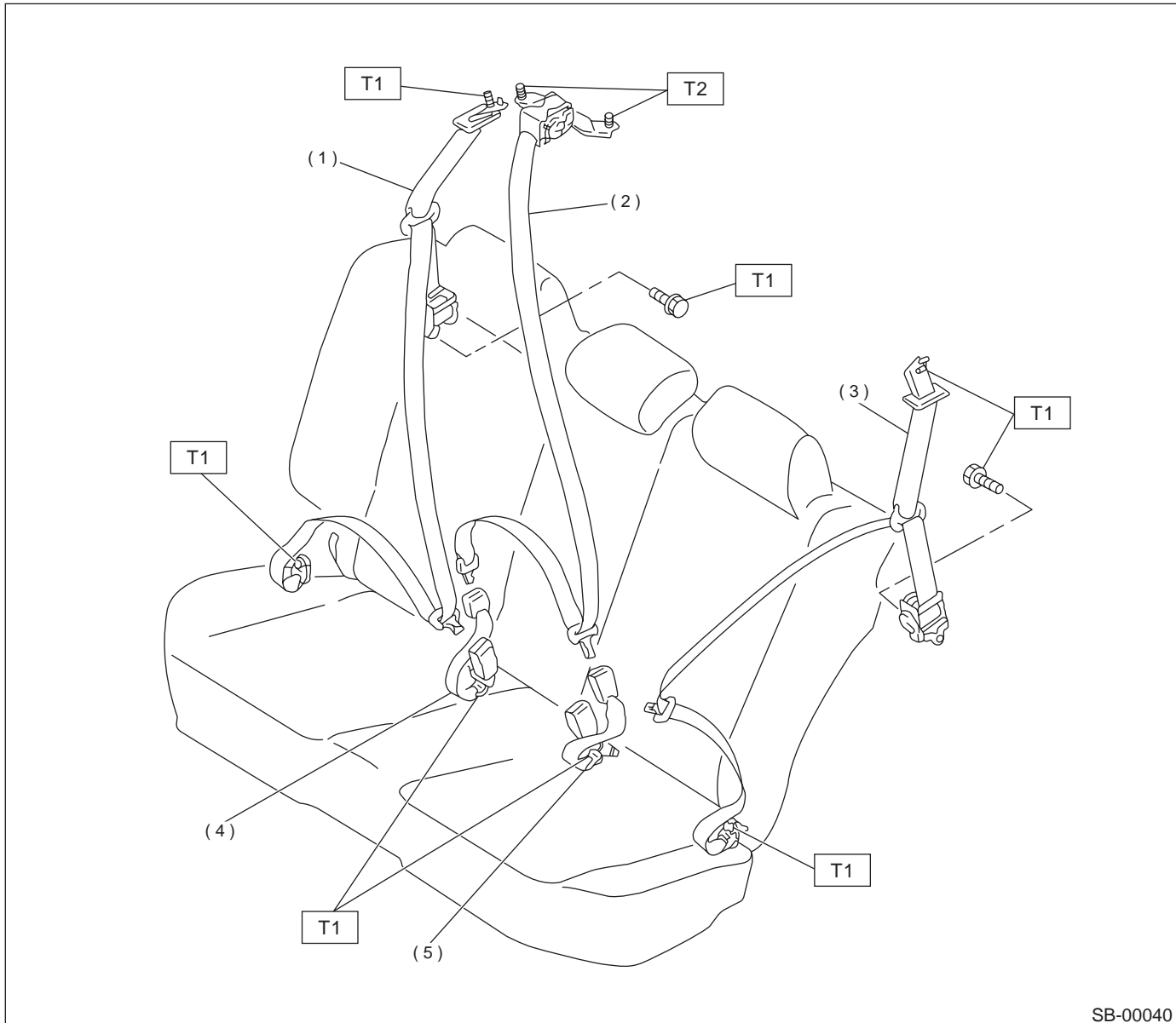
Tightening torque: N·m (kgf-m, ft-lb)

T: 30 (3.1, 22)

GENERAL DESCRIPTION

SEAT BELT SYSTEM

3. REAR SEAT BELT (WAGON BODY)



SB-00040

- (1) Outer seat belt RH
- (2) Outer seat belt CENTER
- (3) Outer seat belt LH
- (4) Inner seat belt RH

- (5) Inner seat belt LH

Tightening torque: N·m (kgf·m, ft·lb)

T1: 30 (3.1, 22)

T2: 53 (5.4, 39)

B: CAUTION

- Before starting, turn the ignition switch OFF, disconnect the battery ground cable and wait for 20 seconds or more.
- The pretension system has a backup power source. The pretensioner might deploy if you do not wait for 20 seconds or more before starting
- Do not drop or apply any impact to the pretensioner.
- If oil, grease, or water gets on the pretensioner, wipe it off immediately with a dry cloth.
- Do not expose the pretensioner to high temperature or flame.
- Do not allow current to flow through or voltage to reach the pretensioner. Do not use a circuit tester to check resistance of the pretensioner.
- Do not disassemble or attempt to repair the pretensioner. If it is dented, cracked, or deformed, replace it with a new one.
- Do not use the airbag or pretensioner parts from other vehicles. Always replace parts with new parts
- When handling a seat belt with a deployed pretensioner, wear gloves and goggles. Wash your hands afterwards.
- Do not re-use a seat belt with a deployed pretensioner again.
- If the material gets in your eyes or on your skin during deployment, wash it away with clean water, and then consult a doctor.