

## REAR SEAT

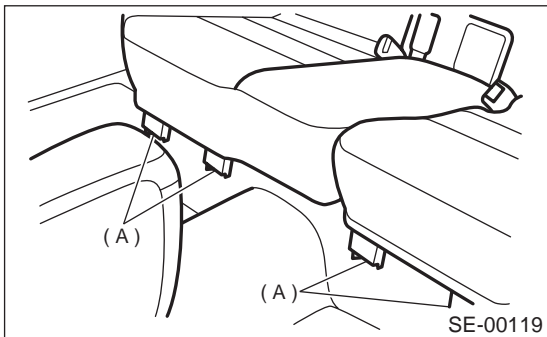
SEATS

### 3. Rear Seat

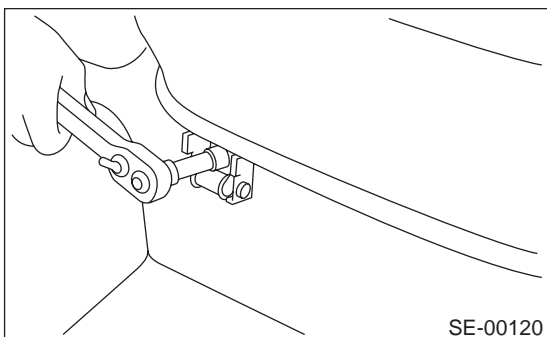
#### A: REMOVAL

##### 1. WAGON

1) Raise the cushion, and then remove bolt covers (A).

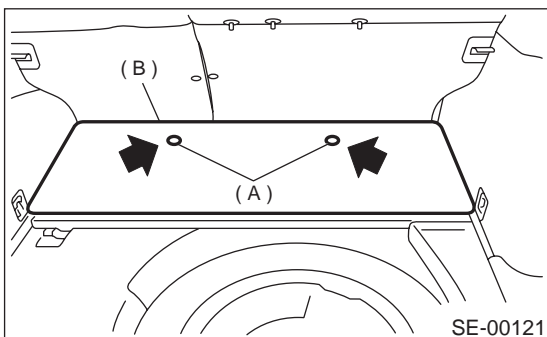


2) Remove bolts, and then remove rear seat cushion.

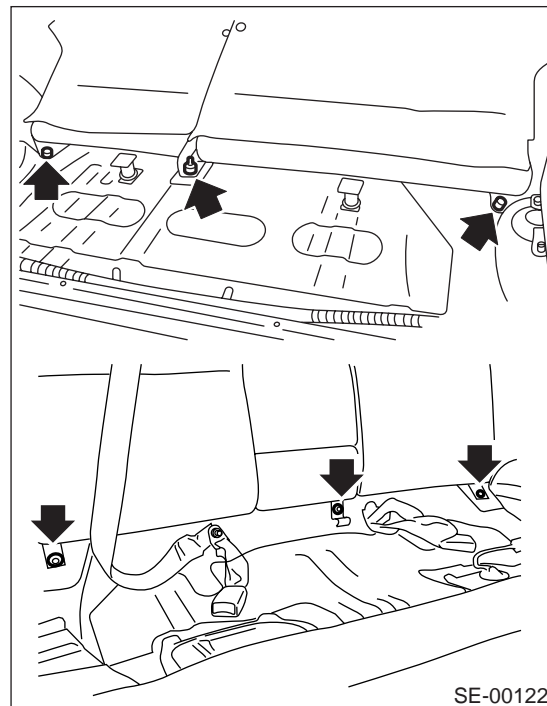


3) Remove headrest.

4) Remove clips (A), and then remove rear floor front mat (B).



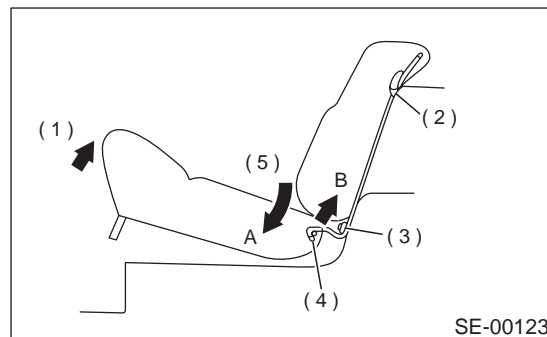
5) Remove bolts and nuts of bracket hinge.



6) Remove rear seat backrest.

##### 2. SEDAN

1) Slightly raise front of cushion while pushing down on cushion in the direction of "A". With cushion held in that position, move it forward until it is unhooked.

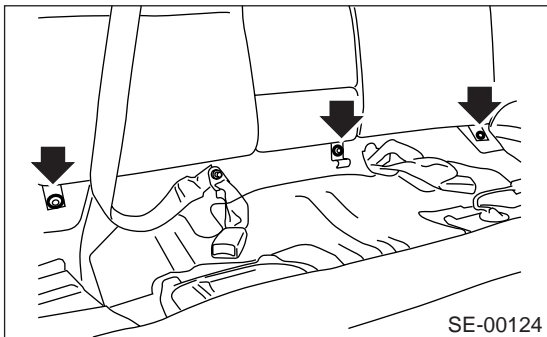


- (1) Raise
- (2) Hook
- (3) Attaching bolt
- (4) Hook
- (5) Push

## REAR SEAT

### SEATS

2) Remove bolts securing lower portion of backrest and then open the center trunk through lid.



3) Lift rear seat backrest and then remove it.

### B: INSTALLATION

#### 1. WAGON

1) Install in the reverse order of removal.

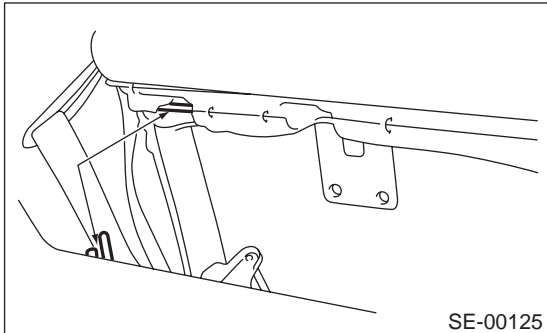
##### **Tightening torque:**

Refer to **COMPONENT** in *General Description*.

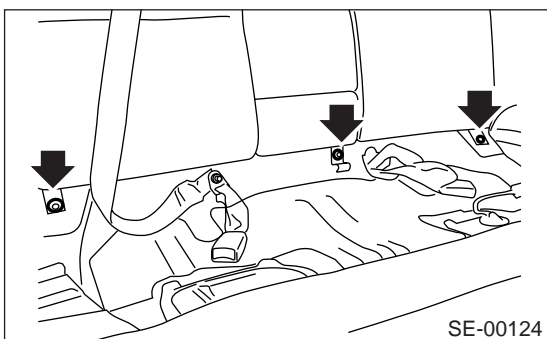
<Ref. to SE-5, Rear Seat (Wagon).>

#### 2. SEDAN

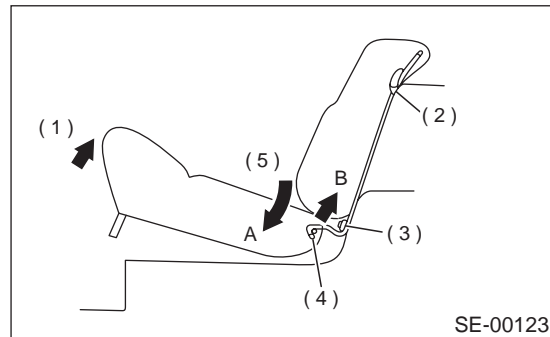
1) Hook and fasten the upper-back side of the rear seat backrest to the body hook.



2) Tighten the bolt and install the backrest.



3) Hook and fasten the seat cushion to the hook on the lower part of the rear seat backrest.



- (1) Raise
- (2) Hook
- (3) Attaching bolt
- (4) Hook
- (5) Push

##### **Tightening torque:**

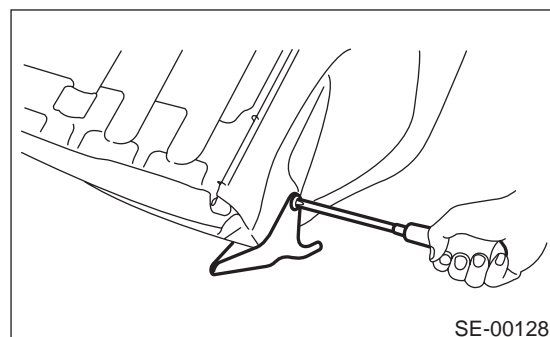
Refer to **COMPONENT** in *General Description*.

<Ref. to SE-4, Rear Seat (Sedan).>

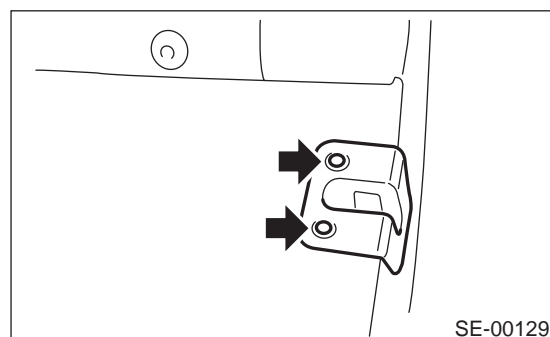
### C: DISASSEMBLY

#### 1. WAGON

- 1) Remove rear seat. <Ref. to SE-17, Removal.>
- 2) Remove bolts, and then remove bracket hinge.



3) Remove rear backrest lock cover.

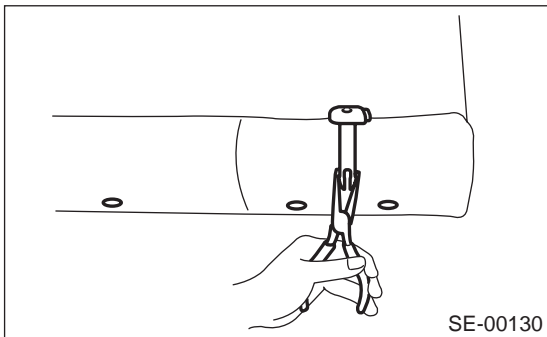


4) While turning counterclockwise rear backrest knob, remove it.

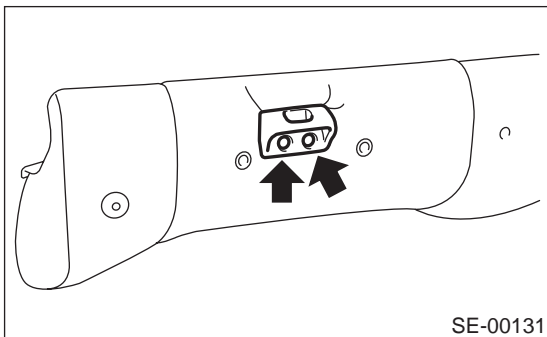
## REAR SEAT

SEATS

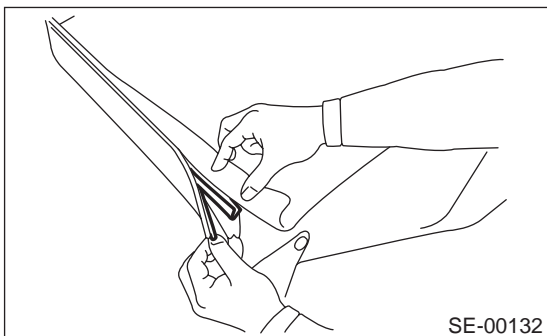
5) While picking up tip with pliers, remove headrest lock bushings.



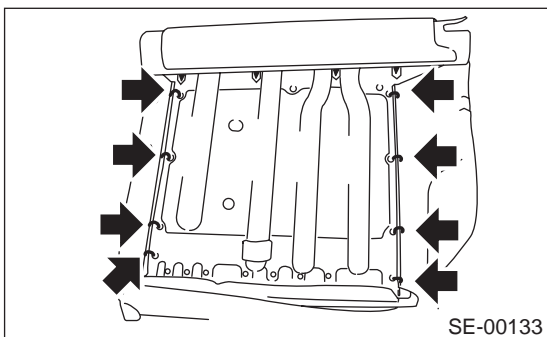
6) Remove backrest hook.



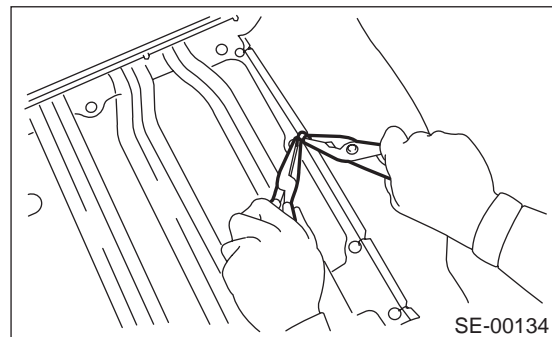
7) Remove hook at bottom.



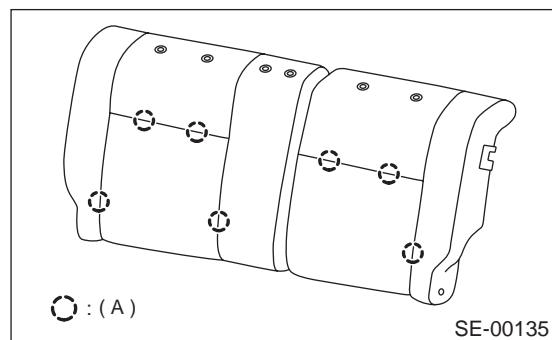
8) Remove 4 pawls.



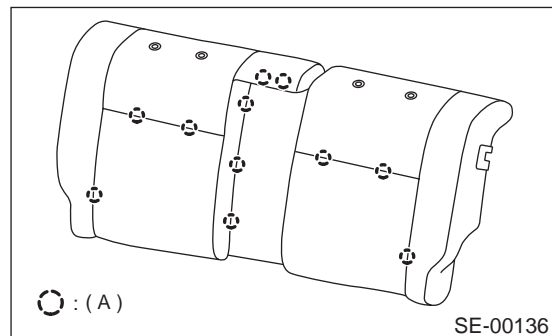
9) Remove 8 hog rings.



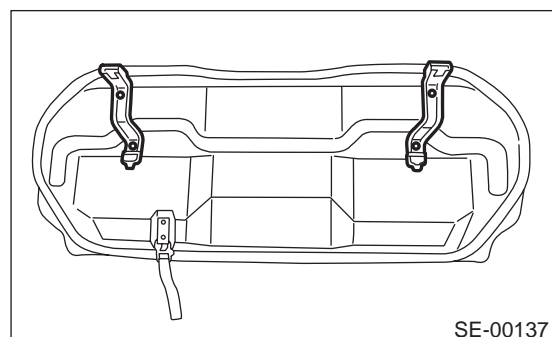
10) Remove the hog rings (A) on front side of cushion pad.



Armrest-equipped vehicle:



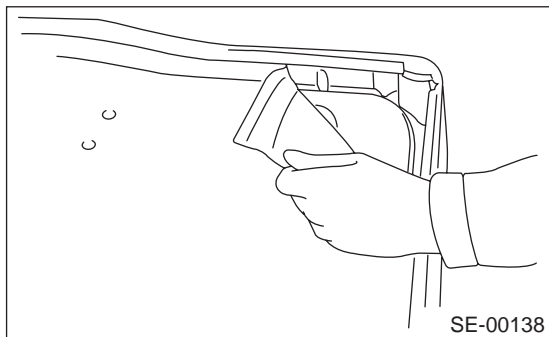
11) Remove cover. When disassembly of rear seat cushion is required, proceed to the following steps.  
12) Remove bolts, and then remove cushion hinge.



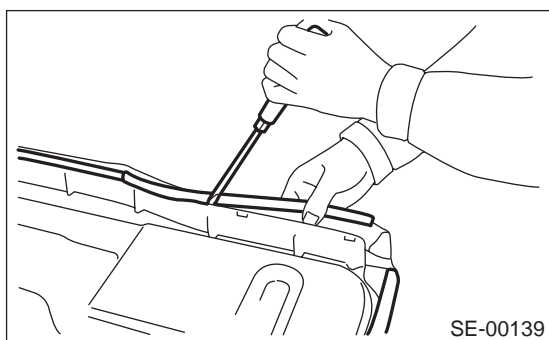
## REAR SEAT

### SEATS

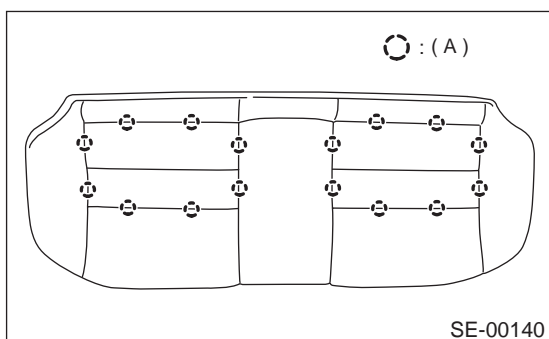
13) Remove rear cushion mat.



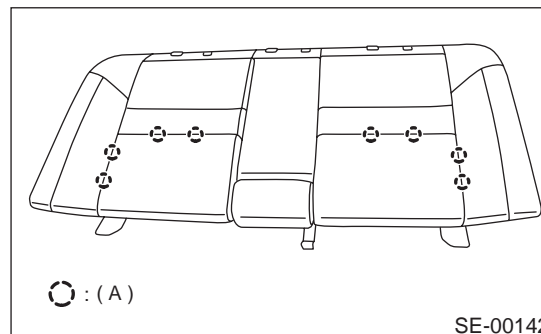
14) Remove hook, and then remove frame.



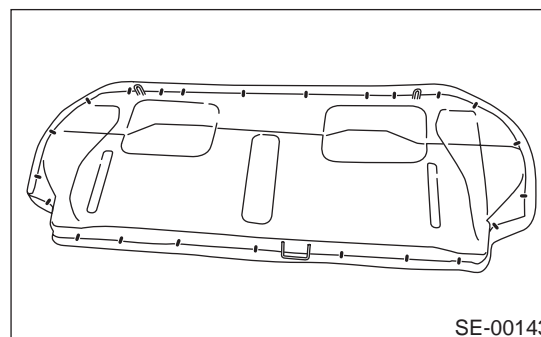
15) Remove hog rings (A), and then remove cover.



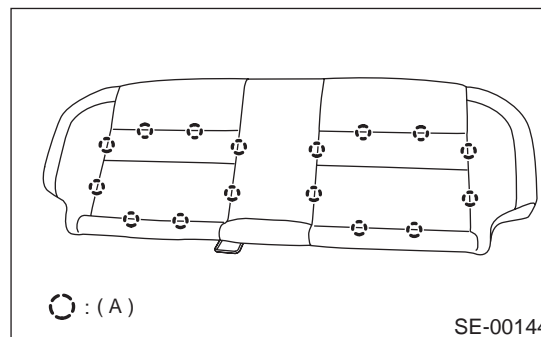
4) Remove the hog rings (A), and then remove the seat cover.



5) Remove the hog rings around the seat cushion.



6) Remove the hog rings (A), and then remove the seat cover

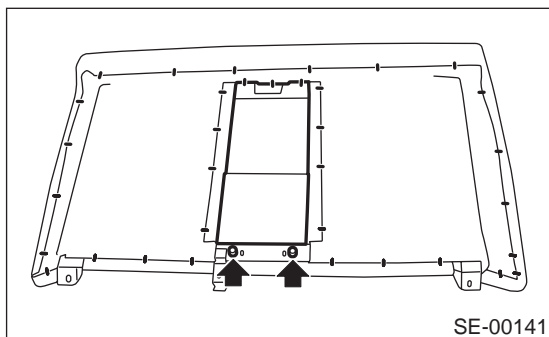


## 2. SEDAN

1) Remove the rear seat from the vehicle. <Ref. to SE-17, Removal.>

2) Remove the hog rings from around the seat backrest.

3) Remove the two nuts and remove the armrest assembly.



## D: ASSEMBLY

### 1. WAGON

1) Assemble in the reverse order of disassembly.

NOTE:

- Do not contaminate or damage cover.
- While installing wire rings, prevent seat from getting wrinkled.

### 2. SEDAN

1) Assemble in the reverse order of disassembly.

NOTE:

- Do not contaminate or damage cover.
- While installing wire rings, prevent seat from getting wrinkled.