

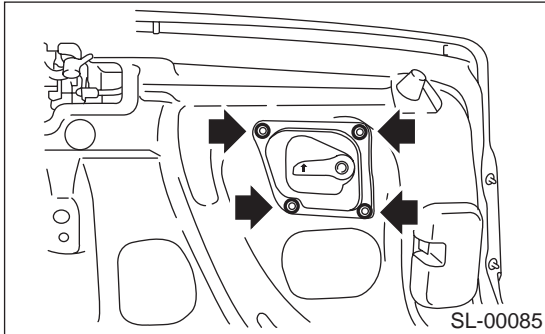
TRUNK LID RELEASE HANDLE

SECURITY AND LOCKS

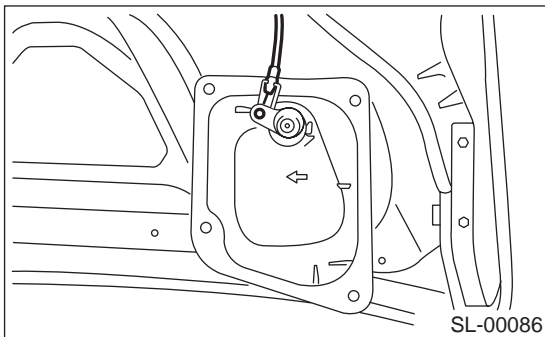
17. Trunk Lid Release Handle

A: REMOVAL

1) Remove the four clips.



2) Remove the cable from trunk lid release handle.



B: INSTALLATION

Install in the reverse order of removal.

C: INSPECTION

- 1) Make sure the cable is not deformed.
- 2) Make sure the lever works smoothly.