

REMOTE OPENERS

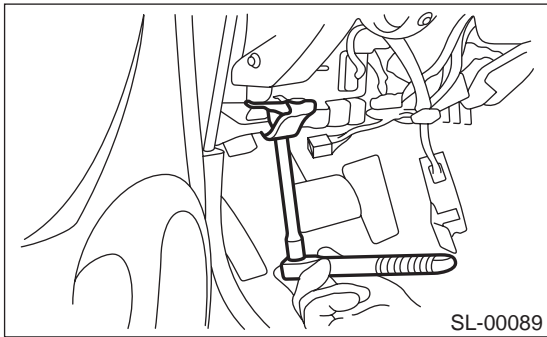
SECURITY AND LOCKS

19. Remote Openers

A: REMOVAL

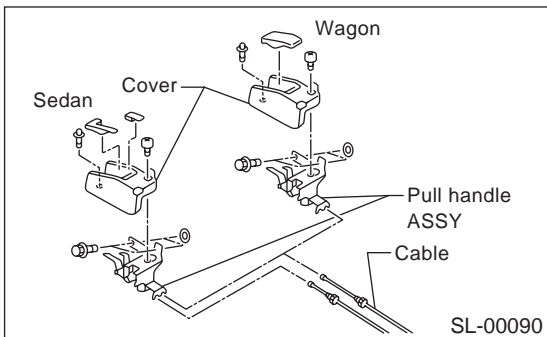
1. HOOD OPENER

- 1) Remove the release cable from the hood lock.
- 2) Remove the bolt. Remove the opener lever.

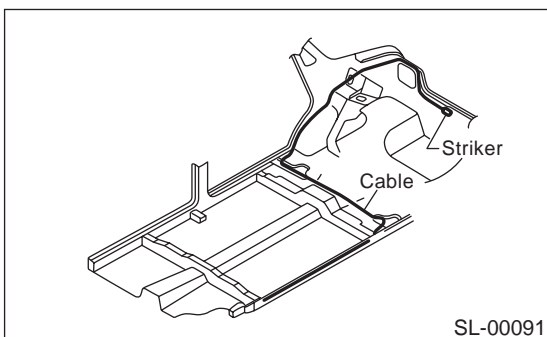


2. TRUNK LID OPENER

- 1) Remove the rear seat. <Ref. to SE-17, REMOVAL, Rear Seat.>
- 2) Remove the center pillar lower trim and side sill cover on the passenger side. Remove the rear pillar lower trim. Pull back the floor mat. Remove the clip holding the cable.
- 3) Remove the bolt. Remove the opener pull handle.

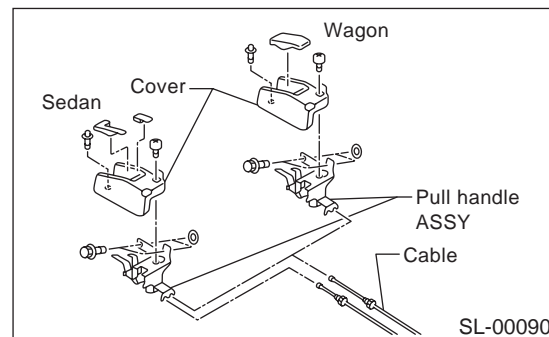


- 4) Remove the cable from the opener pull handle.
- 5) Remove the striker from the trunk lid.
- 6) Remove the cable from the striker.

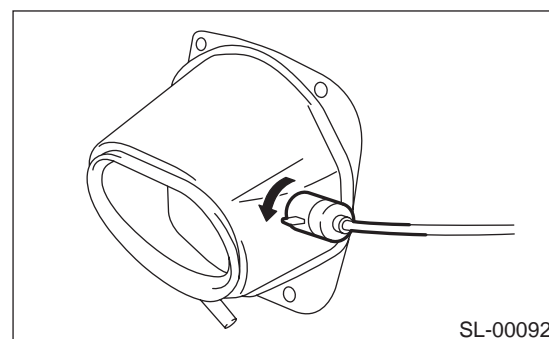


3. FUEL FLAP OPENER

- 1) Remove the rear seat. <Ref. to SE-17, REMOVAL, Rear Seat.>
- 2) Remove the center pillar lower trim and side sill cover on the passenger side. Remove the rear pillar lower trim. Pull back the floor mat. Remove the clip holding the cable.
- 3) Remove the bolt. Remove the opener pull handle.



- 4) Remove the cable from the opener pull handle.
- 5) Remove the right rear quarter trim. <Ref. to EI-43, REMOVAL, Rear Quarter Trim.>
- 6) Rotate the fuel lock inside the quarter panel to left and remove.



B: INSTALLATION

1. HOOD OPENER

Install in the reverse order of removal.

2. TRUNK LID OPENER

Install in the reverse order of removal.

3. FUEL FLAP OPENER

Install in the reverse order of removal.

C: INSPECTION

Make sure the fuel flap opens and closes smoothly.