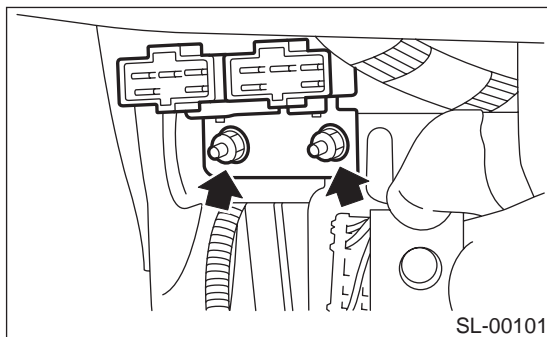


24. Security Horn Relay

A: REMOVAL

- 1) Disconnect the ground cable from battery.
- 2) Remove the mounting bolt and detach the security horn relay (near the fuse box).



B: INSTALLATION

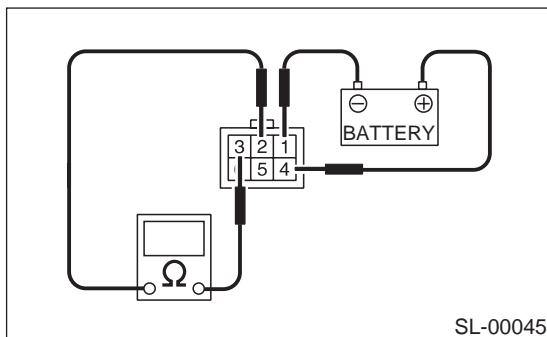
Install in the reverse order of removal.

C: INSPECTION

Measure the security horn relay resistance between terminals (indicated in the table below) when connecting terminal No. 1 (without OnStar (R)) or No. 3 (with OnStar (R)) to battery positive terminal and terminal No. 4 (without OnStar (R)) or No. 2 (with OnStar (R)) to battery ground terminal.

Without OnStar (R):

Current	Terminal No.	Standard
Flow	2 — 3	Less than 1 Ω
No flow		More than 1 M Ω



With OnStar (R):

Current	Terminal No.	Standard
Flow	1 — 4	Less than 1 Ω
No flow		More than 1 M Ω

If the measured value is out of specifications indicated in table, replace security horn relay.
If NG, replace door lock actuator.